

Current Sense Amplifier

BD14210G-EVK-001

BD14210G-EVK-001 is an evaluation board for BD14210G-LA, which is ROHM's current sense amplifier. This user's guide explains BD14210G-EVK-001.

About BD14210G-LA

BD14210G-LA is a current sense amplifier. This is the product guarantees long time support in Industrial market. This device operates from a single 2.7V to 5.5V power supply. It has wide common mode voltage range from -0.2V to +26V, outputs analog voltage. The gain is 20 V/V. The matched gain resistor minimizes gain error and realizes low offset voltage. The input bias current is 1 μ A (Typ) at typical condition. There is no need to adjust the gain error.

- Long Time Support Product for Industrial Applications
- Wide Common Mode Voltage Range
- High Accuracy
- Low Offset Voltage
- Low Input Bias Current

For more detailed information about the BD14210G-LA, refer to the datasheet.

About BD14210G-EVK-001

1. Board Information

- Size : 90mm x 80mm x 1.6mm
- Number of Layers : 2
- Material : FR-4 (~125°C)
- Copper Thickness : 2oz (70 μ m)

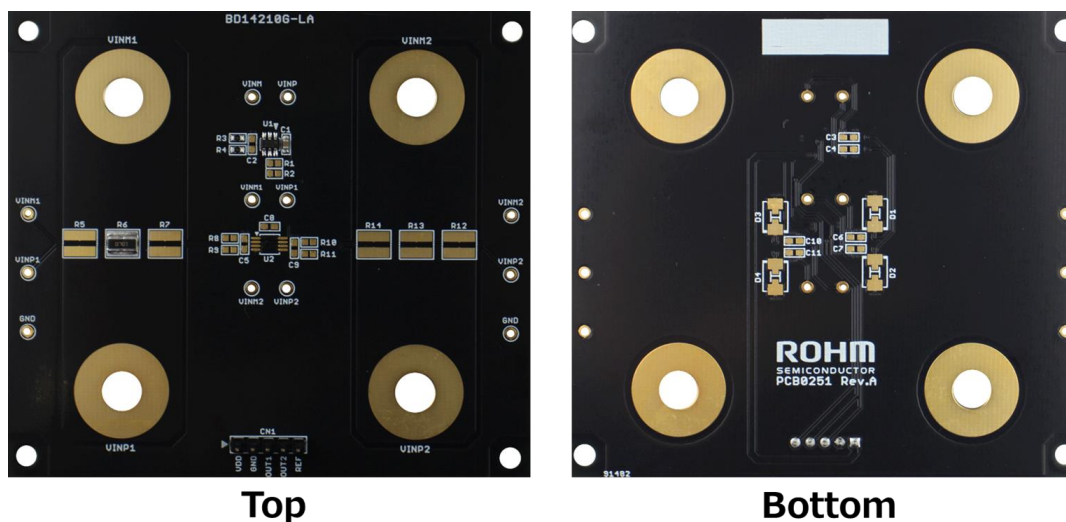


Figure 1. Pictures of BD14210G-EVK-001

2. Schematic Diagram

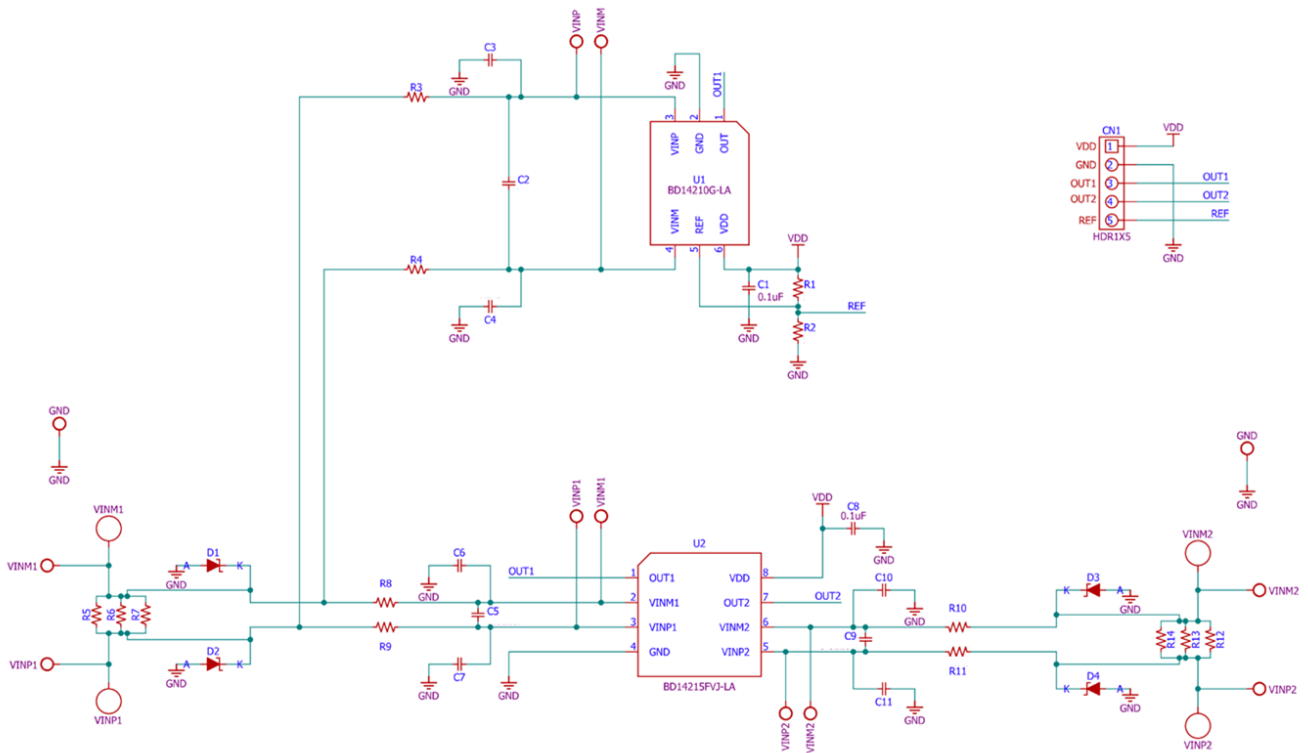


Figure 2. Schematic Diagram of BD14210G-EVK-001

3. Bill of Materials

Table 1. Bill of Materials of BD14210G-EVK-001

Part	Part Type	Manufacturer	Value	Size/Package	Description
U1	BD14210G-LA	ROHM Co., Ltd.	-	SSOP6	Current Sense Amplifier
C1	GRM188B31H104KA92D	Murata Manufacturing Co., Ltd.	0.1uF	1608(0603)	Capacitor
C2, C3, C4	N.M.	-	-	1608(0603)	Capacitor
R1, R2	N.M.	-	-	1608(0603)	Resistor
R3, R4	MCR03EZPJ000	ROHM Co., Ltd.	0Ω	1608(0603)	Resistor
R5, R7	N.M.	-	-	5025(2010)	Shunt Resistor
R6	LTR50UZPFU10L0	ROHM Co., Ltd.	10mΩ	5025(2010)	Shunt Resistor
D1, D2	N.M.	-	-	DO-214AA (SMB) /SOD-323FL	Zener Diode
CN1	PH-1x5SG	Useconn Electronics Ltd.	-	1x5 pin	Connector

Note: Only the materials used in BD14210G-EVK-001 are listed.

N.M. = Not Mounted

4. Layout (Top View)

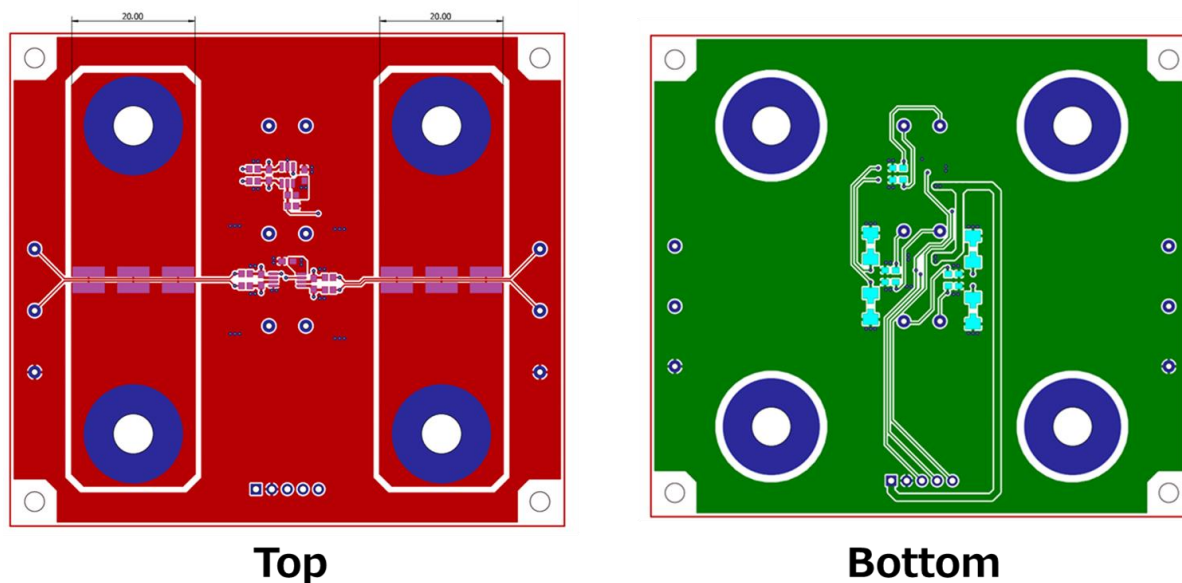


Figure 3. Layouts of BD14210G-EVK-001

5. Reference Application Data

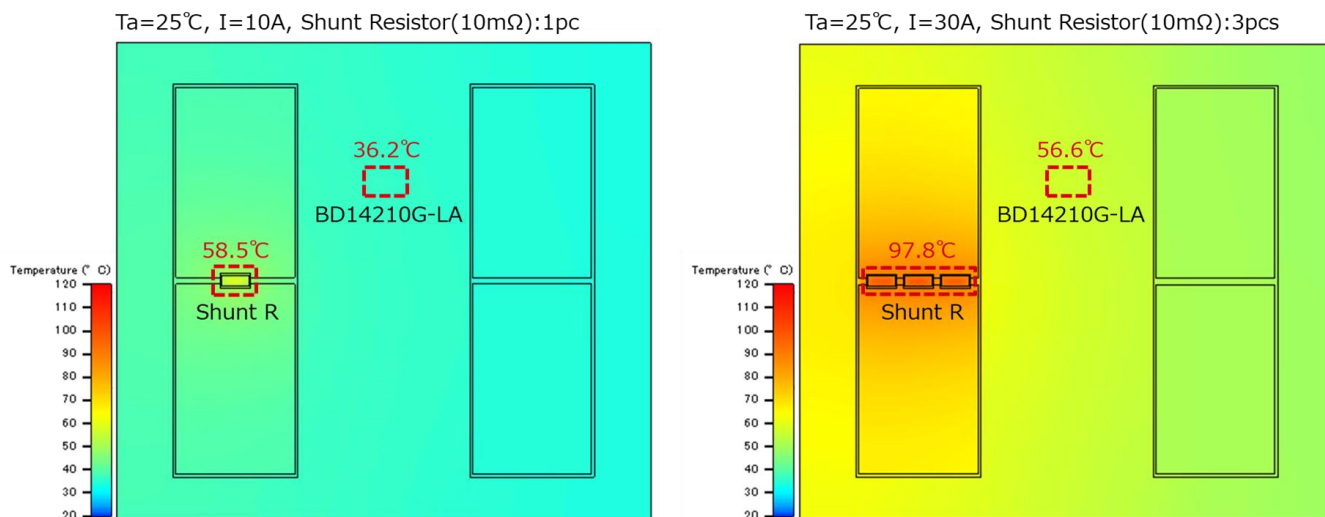


Figure 4. Thermal simulation result

Note: These data are reference using a thermal simulation tool. Please note that the temperature will change depending on the actual usage environment.

Please use this board under the condition that the heat generated by the shunt resistor does not exceed the usable temperature of the board, 125°C.

The current values listed are reference, so when changing the current value, please use this board within the rated power of the shunt resistor.

Notes

- 1) The information contained herein is subject to change without notice.
- 2) Before you use our Products, please contact our sales representative and verify the latest specifications :
- 3) Although ROHM is continuously working to improve product reliability and quality, semiconductors can break down and malfunction due to various factors.
Therefore, in order to prevent personal injury or fire arising from failure, please take safety measures such as complying with the derating characteristics, implementing redundant and fire prevention designs, and utilizing backups and fail-safe procedures. ROHM shall have no responsibility for any damages arising out of the use of our Products beyond the rating specified by ROHM.
- 4) Examples of application circuits, circuit constants and any other information contained herein are provided only to illustrate the standard usage and operations of the Products. The peripheral conditions must be taken into account when designing circuits for mass production.
- 5) The technical information specified herein is intended only to show the typical functions of and examples of application circuits for the Products. ROHM does not grant you, explicitly or implicitly, any license to use or exercise intellectual property or other rights held by ROHM or any other parties. ROHM shall have no responsibility whatsoever for any dispute arising out of the use of such technical information.
- 6) The Products specified in this document are not designed to be radiation tolerant.
- 7) For use of our Products in applications requiring a high degree of reliability (as exemplified below), please contact and consult with a ROHM representative : transportation equipment (i.e. cars, ships, trains), primary communication equipment, traffic lights, fire/crime prevention, safety equipment, medical systems, servers, solar cells, and power transmission systems.
- 8) Do not use our Products in applications requiring extremely high reliability, such as aerospace equipment, nuclear power control systems, and submarine repeaters.
- 9) ROHM shall have no responsibility for any damages or injury arising from non-compliance with the recommended usage conditions and specifications contained herein.
- 10) ROHM has used reasonable care to ensure the accuracy of the information contained in this document. However, ROHM does not warrants that such information is error-free, and ROHM shall have no responsibility for any damages arising from any inaccuracy or misprint of such information.
- 11) Please use the Products in accordance with any applicable environmental laws and regulations, such as the RoHS Directive. For more details, including RoHS compatibility, please contact a ROHM sales office. ROHM shall have no responsibility for any damages or losses resulting non-compliance with any applicable laws or regulations.
- 12) When providing our Products and technologies contained in this document to other countries, you must abide by the procedures and provisions stipulated in all applicable export laws and regulations, including without limitation the US Export Administration Regulations and the Foreign Exchange and Foreign Trade Act.
- 13) This document, in part or in whole, may not be reprinted or reproduced without prior consent of ROHM.



Thank you for your accessing to ROHM product informations.
More detail product informations and catalogs are available, please contact us.

ROHM Customer Support System

<http://www.rohm.com/contact/>

Mouser Electronics

Authorized Distributor

Click to View Pricing, Inventory, Delivery & Lifecycle Information:

[ROHM Semiconductor:](#)

[BD14210G-EVK-001](#)