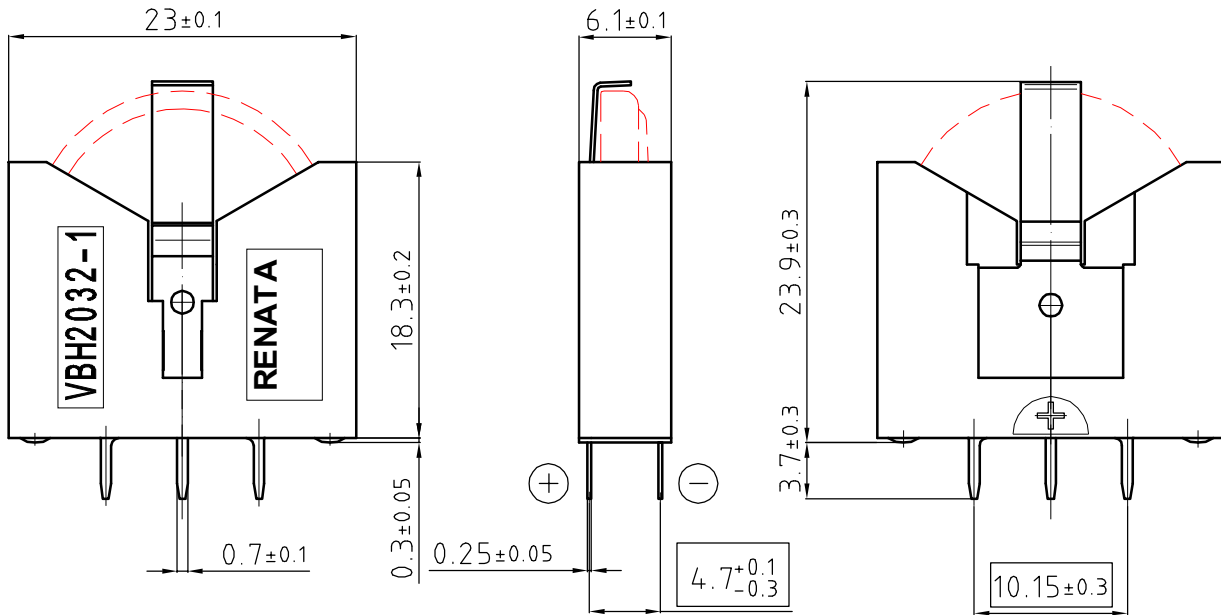


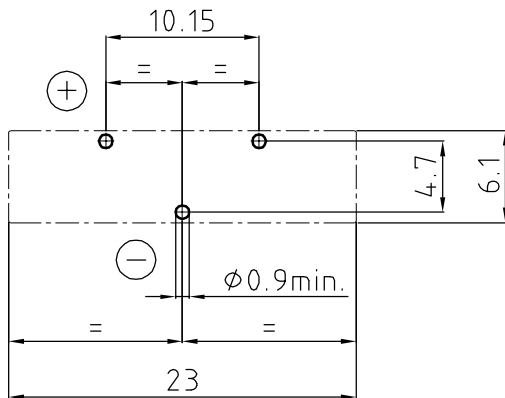
Art.-Number: 703384



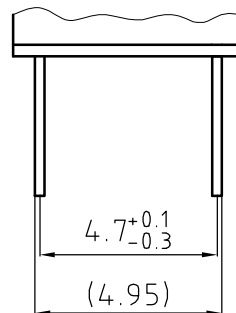
Front view from (-) pole side

Side view

Front view from (+) pole side



Layout top view



Detail M5:1

Samples can deviate in the execution from the serie.

All dimensions in mm.

Colour: black

Holder material: Flame retardant high performance polyamide resin, UL flammability class 94V-0

Battery contacts: spring stainless steel nickel plated throughout, thickness min. 1.5um

Solder contacts: spring stainless steel nickel plated throughout, thickness min. 4um

Specifications are subject to change without notice for further improvement

All framed values will be used for dimension checking !

The Products of Renata SA are neither designed nor authorized for use in certain areas of application of environment.

For further details we refer to our webpage [www.renata.com/downloads/restriction\\_of\\_use](http://www.renata.com/downloads/restriction_of_use)

Dimensions and tolerances can be specified only after the testing of the devices for the mass production definitely

Rev.	①	27.08.19	PWu	Rev.	○			Customer's Approval			
Rev.	○			Rev.	○			Date			
Rev.	○			Rev.	○			Signature			
Title:							Scale	2:1	Drawn	11.12.12	PWu
VBH2032-1									Checked		
									Approved		
							CH-4452 Itingen Switzerland		10.1008.4-1		

# Mouser Electronics

Authorized Distributor

Click to View Pricing, Inventory, Delivery & Lifecycle Information:

[Renata:](#)

[VBH2032-1](#)