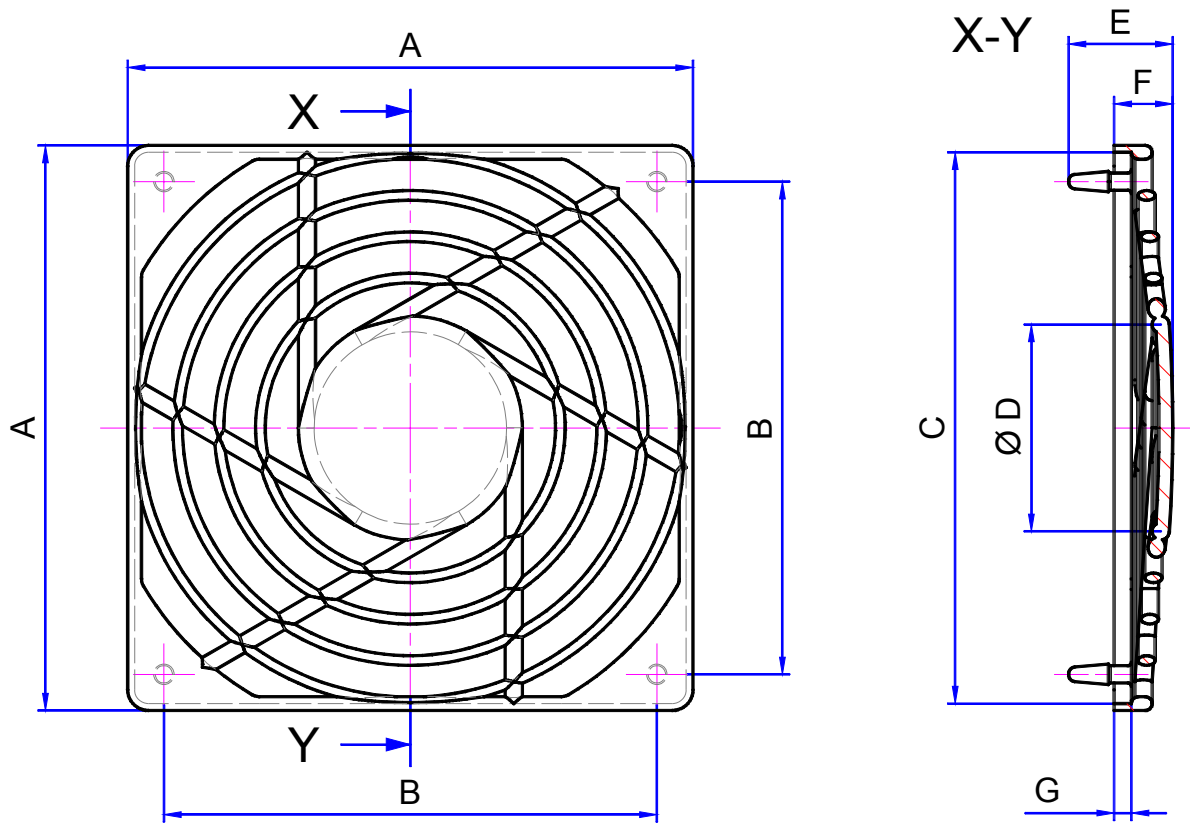


Plastic Fan Guards for QLM Sleeves



Material: Plastic
Color: Black
Fire Resistance: UL94-V0
Equal Guideline: 2002/95/EG (RoHS Compliant)



Ordering Information: **QSG** **40** **02**

Series Fan Size Type

Type 02 = See dimension "A". Panel hole layout hidden.

Part Number	A Inch / mm	B Inch / mm	C Inch / mm	D Inch / mm	E Inch / mm	F Inch / mm	G Inch / mm
QSG-40-02	1.811 / 46.0	1.260 / 32.0	1.575 / 40.0	.709 / 18.0	.496 / 12.6	.295 / 7.5	.098 / 2.5
QSG-60-02	2.598 / 66.0	1.969 / 50.0	2.362 / 60.0	1.063 / 27.0	.594 / 15.1	.335 / 8.5	.098 / 2.5
QSG-80-02	3.503 / 89.0	2.815 / 71.5	3.150 / 80.0	1.181 / 30.0	.594 / 15.1	.335 / 8.5	.098 / 2.5
QSG-92-02	3.976 / 101.0	3.248 / 82.5	3.622 / 92.0	1.181 / 30.0	.594 / 15.1	.335 / 8.5	.098 / 2.5
QSG-119-02	5.039 / 128.0	4.133 / 105.0	4.685 / 119.0	1.654 / 42.0	.654 / 16.6	.354 / 9.0	.118 / 3.0

7610 Jenther Drive,
Mentor, OH 44060
Phone: 1-440-951-3300
Fax: 1-440-951-7252

Qualtek Electronics Corporation

E-Mail: mailbox@qualtekusa.com
Web: www.qualtekusa.com

Mouser Electronics

Authorized Distributor

Click to View Pricing, Inventory, Delivery & Lifecycle Information:

[Qualtek:](#)

[QSG-92-02](#) [QSG-119-02](#)