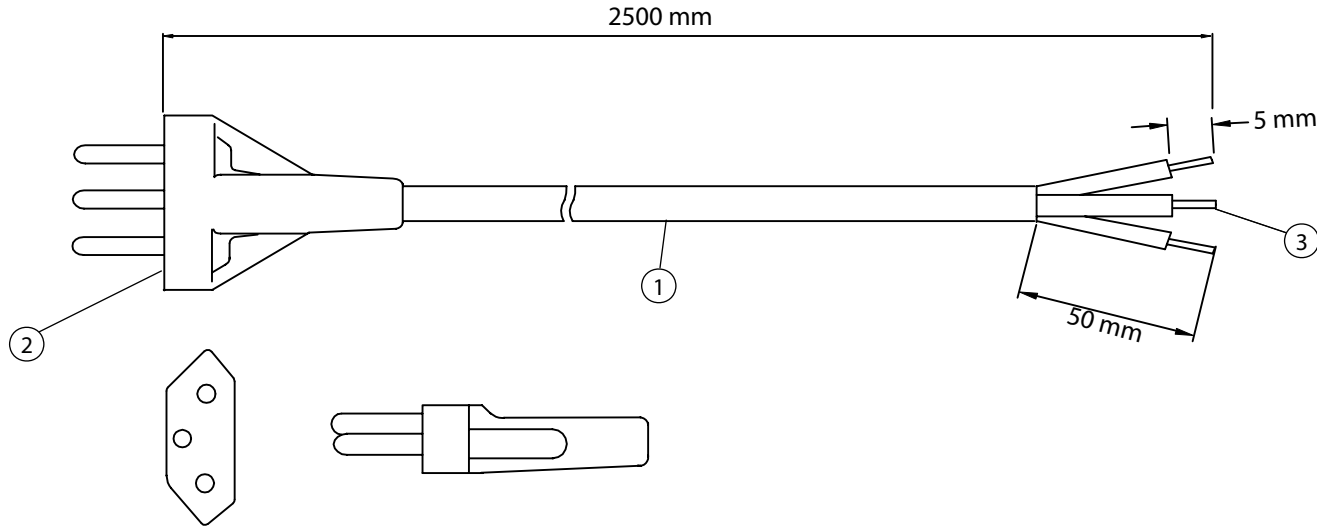


THESE DRAWINGS ARE THE PROPERTY OF QUALTEK ELECTRONICS AND NOT TO BE REPRODUCED FOR OR COMMUNICATED TO A THIRD PARTY WITHOUT THE EXPRESS WRITTEN PERMISSION OF AN OFFICER OF QUALTEK ELECTRONICS.

| REVISION | | | |
|----------|-------------|------|----------|
| REV. | DESCRIPTION | DATE | APPROVED |
| | | | |
| | | | |
| | | | |



CONTROLLED

NOTES:

1. CORDAGE: H05VV-F, 3 X 1.00mm, UNSHIELDED, CEE COLOR CODE, TEMP. RATING 70°C, RATING: 250V 10A, JACKET COLOR: BLACK
2. PLUG: SEV 1011
3. OTHER END: ROJ 50mm STRIP 5mm
4. APPROVALS: SWITZERLAND
5. ROHS COMPLIANT

| Dim range (mm) | | Tolerance +/- (mm) | | Qualtek Electronics Corp. PPC DIVISION | | |
|----------------|--|--------------------|--|--|----------------|-----------------|
| 0-1 | | 0.15 | | Part Number: 377003-E01 RoHS Compliant | | |
| 1-6 | | 0.20 | | Description: POWER CORD | | |
| 6-18 | | 0.30 | | UNIT: mm | | |
| 18-50 | | 0.50 | | | | |
| 50-120 | | 0.70 | | Drawn / Date | Checked / Date | Approved / Date |
| 120-250 | | 0.90 | | R.Nuti 08-22-07 | 08-22-07 | JJH / 08-22-07 |
| 250-500 | | 1.20 | | | | |

Mouser Electronics

Authorized Distributor

Click to View Pricing, Inventory, Delivery & Lifecycle Information:

[Qualtek:](#)

[377003-E01](#)