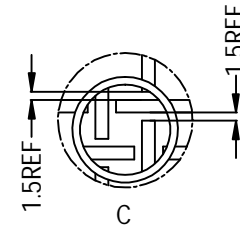
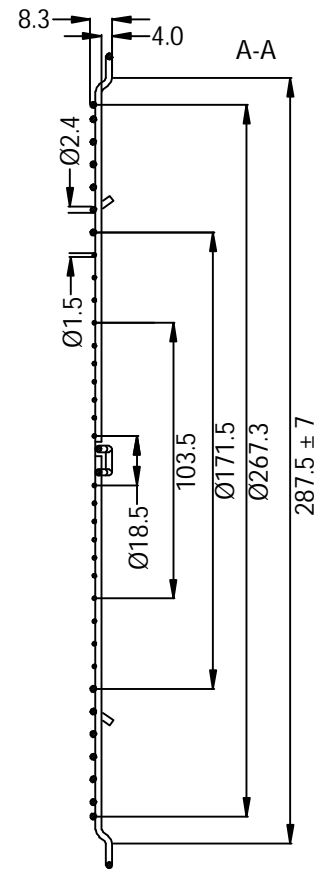
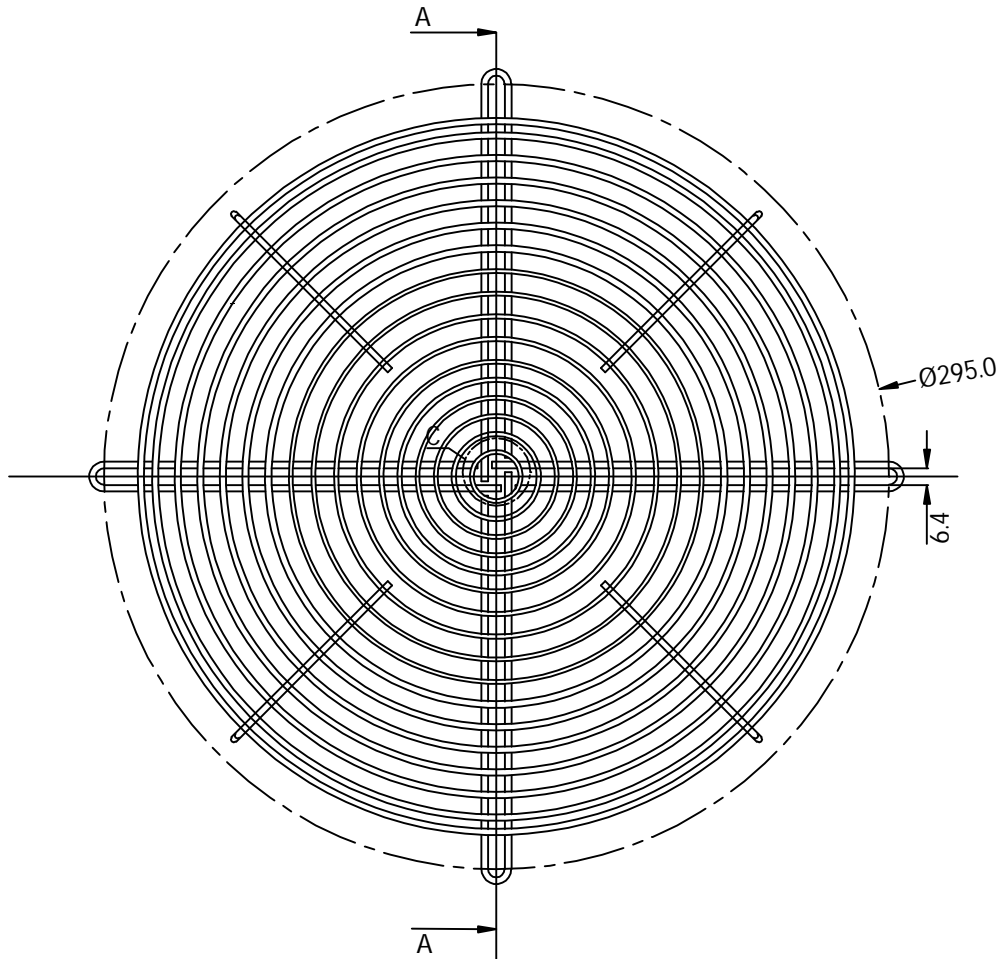


THESE DRAWINGS ARE THE PROPERTY OF QUALTEK ELECTRONICS AND NOT TO BE REPRODUCED FOR OR COMMUNICATED TO A THIRD PARTY WITHOUT THE EXPRESS WRITTEN PERMISSION OF AN OFFICER OF QUALTEK ELECTRONICS.

REVISION			
REV.	DESCRIPTION	DATE	APPROVED



NOTES:

- MATERIAL: C1008 BRIGHT BASIC WIRE
- FINISH: BRIGHT NICKEL CHROME PLATING
- RINGS: $\text{Ø}2.4 \pm 0.1\text{mm}$
 $\text{Ø}1.5 \pm 0.1\text{mm}$
RIBS: $\text{Ø}2.4 \pm 0.1\text{mm}$
- GENERAL TOLERANCE UNLESS NOTED $\pm 0.5\text{mm}$
- RoHS COMPLIANT

CONTROLLED

Dim range (mm)		Tolerance +/- (mm)		Qualtek Electronics Corp. FAN-S DIVISION		
0-5	0.3	Part Number: 08719		Description: WIRE FORM FAN GUARD (280mm)		
5-16	0.3	RoHS Compliant				
16-64	0.5	Description:		UNIT: mm		
64-250	1.0	Drawn / Date	Checked / Date	Approved / Date		
250-1000	1.5	R.Nuti 03-21-13	03-21-13	LY / 03-21-13		
1000-1500	1.5					

Mouser Electronics

Authorized Distributor

Click to View Pricing, Inventory, Delivery & Lifecycle Information:

[Qualtek:](#)

[08719](#)