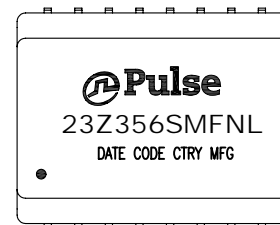


NOTES:

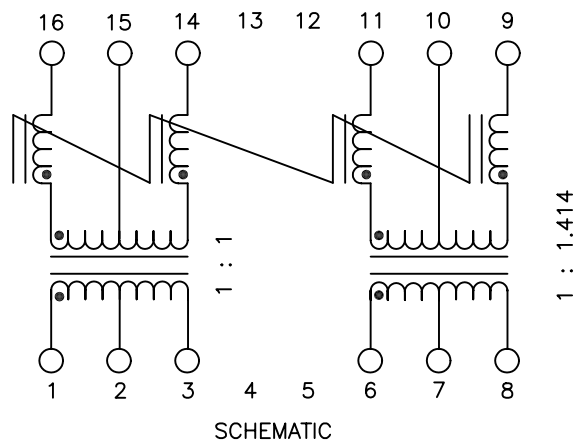
1. ROHS COMPLIANT
2. HEADER: PHENOLIC WITH FLAMMABILITY RATING UL 94V-0 OR BETTER.
3. STORAGE TEMPERATURE: -20°C TO +125°C
4. COMPLIANCE TO J-STD:
 - A. J-STD-002: SOLDERABILITY AT 245°C REFLOW PROFILE
 - B. J-STD-020: LEVEL 1, NO MOISTURE SENSITIVE
 - C. J-STD-075: R7, 245°C MAXIMUM THROUGH REFLOW SOLDER
5. TO ORDER TAPE & REEL PACKAGING ADD A "T" SUFFIX TO THE PART NUMBER(i.e 23Z356SMFNL BECOMES 23Z356SMFNLT).



FINAL OUTLINE

© Copyright, 2014. Pulse Electronics Corp. All rights reserved. Pulse confidential & proprietary. (06/11/14)

PRODUCT DESCRIPTION	TLA DRAWING	PS DRAWING	SHEET	PART NO.	DATASHEET REV.
XFMR,SIN,10D,1:1.414,SM,TU	23Z356SMFNL-11	PS-2755.001-A	1 OF 3	23Z356SMFNL	A



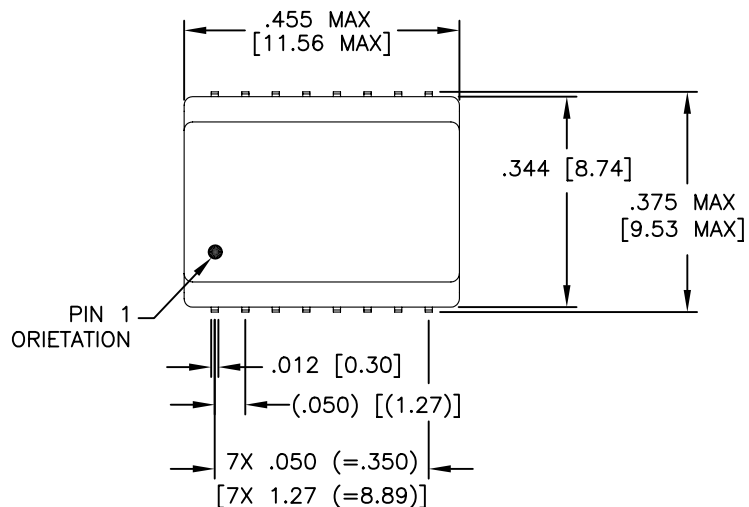
ELECTRICAL CHARACTERISTICS AT +25°C UNLESS OTHER SPECIFIED

PARAMETER	SPECIFICATIONS		
OPERATING TEMPERATURE	0°C - 70 °C		
POLARITY	PER SCHEMATIC		
URNS RATIO	(1-3):(16-14) = 1CT : 1CT ±5% (6-8):(11-9) = 1CT : 1.41CT ±5%		
INDUCTANCE (OCL)	(1-3) = 160 uH MIN. (6-8) = 160 uH MIN. (AT 10 KHz 20 mVRMS) (16-14)-15 = 68 uH MIN.		
COUPLING CAPACITANCE	12 pF MAX. (AT 20 mVRMS, 100 KHz)		
IMPEDENCE (9-11) -10	10-20 MHz	30 MHz	70-100 MHz
	700 OHMS MIN	600 OHMS MIN	200 OHMS MIN
SRF	(9-11) -10 = 7.5 MHz MIN.		
INPUT - OUTPUT ISOLATION	1500 VRMS FOR 60 SECONDS		

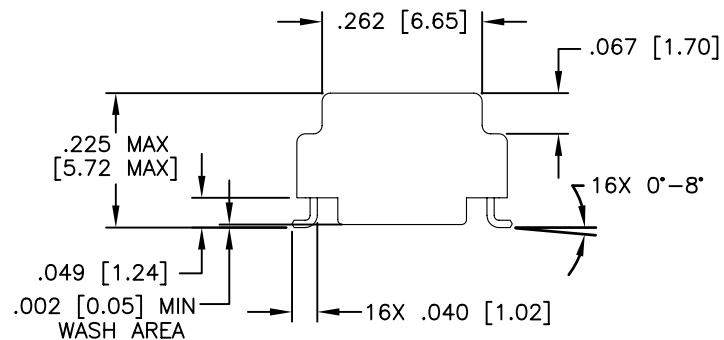
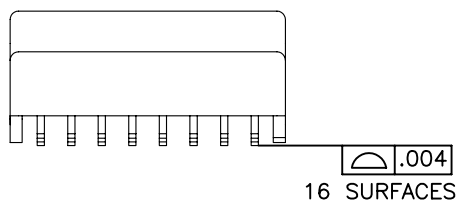
NOTE: f IS FREQUENCY IN MHZ.

© Copyright, 2014. Pulse Electronics Corp. All rights reserved. Pulse confidential & proprietary. (06/11/14)

PRODUCT DESCRIPTION	TLA DRAWING	PS DRAWING	SHEET	PART NO.	DATASHEET REV.
XFMR,SIN,10D,1:1.414,SM,TU	23Z356SMFNL-11	PS-2755.001-A	2 OF 3	23Z356SMFNL	A



SUGGESTED LAND PATTERN



DIMENSIONS ARE IN INCHES [MILLIMETERS] WITH THE FOLLOWING TOLERANCES: [MILLIMETERS] ARE FOR REFERENCE ONLY.
 .XX= ±.01 [±0.25]
 .XXX= ±.005 [±0.13]

© Copyright, 2014. Pulse Electronics Corp. All rights reserved. Pulse confidential & proprietary. (06/11/14)

PRODUCT DESCRIPTION	TLA DRAWING	PS DRAWING	SHEET	PART NO.	DATASHEET REV.
XFMR,SIN,10D,1:1.414,SM,TU	23Z356SMFNL-11	PS-2755.001-A	3 OF 3	23Z356SMFNL	A

Mouser Electronics

Authorized Distributor

Click to View Pricing, Inventory, Delivery & Lifecycle Information:

Pulse:

[23Z356SMFNLT](#) [23Z356SMFNL](#)