

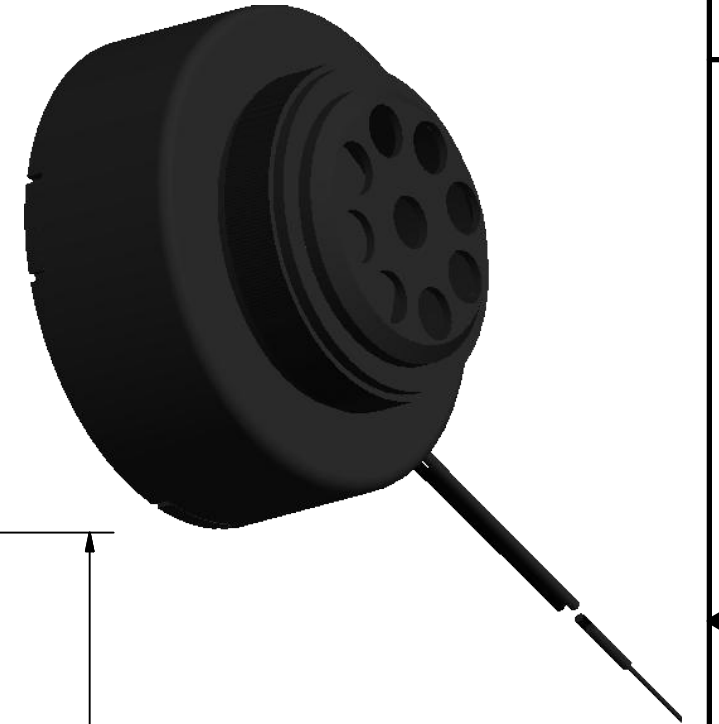
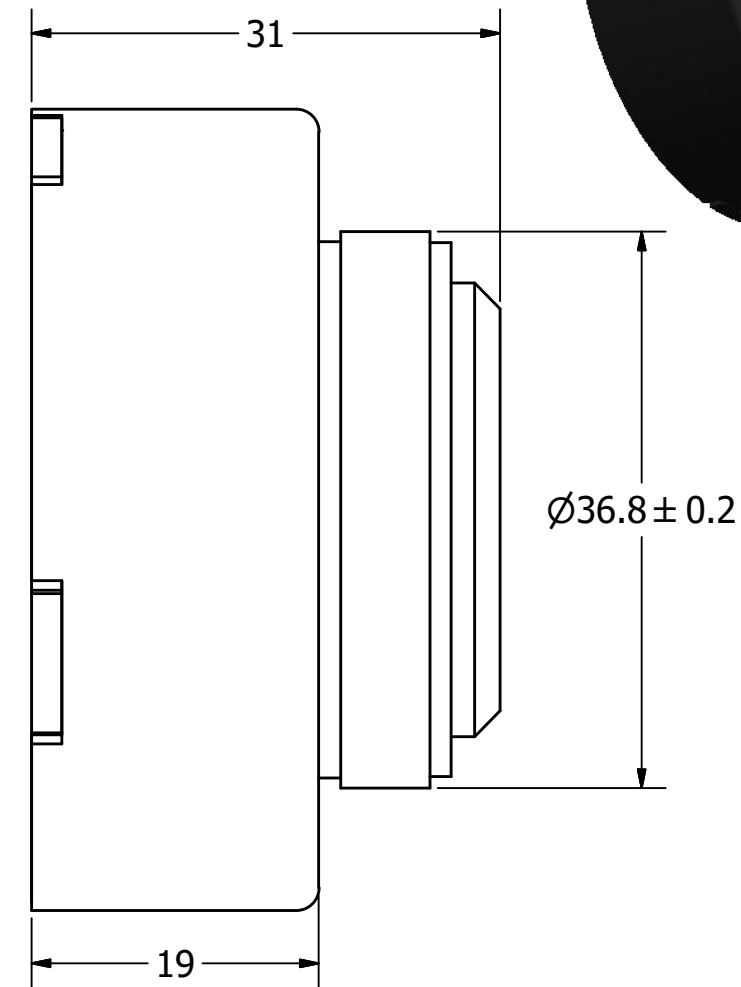
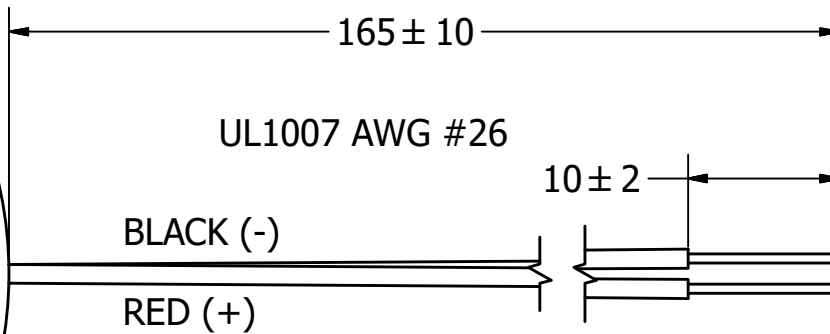
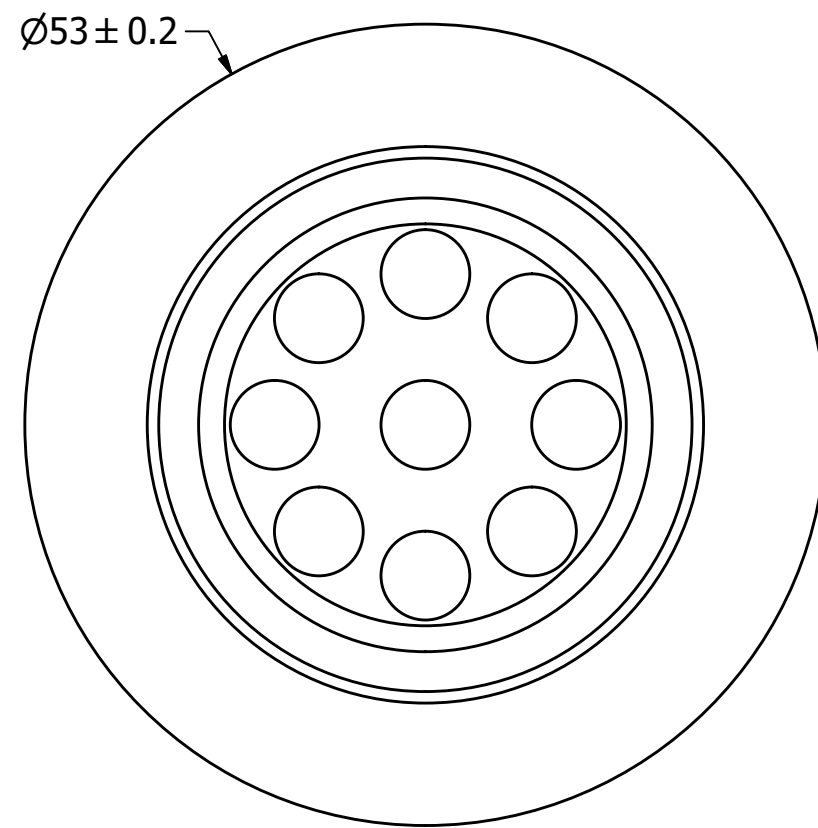
SPECIFICATIONS

PARAMETERS	VALUES	UNITS
RATED VOLTAGE	6	Vdc
OPERATING VOLTAGE RANGE	3 ~ 12	Vdc
RATED CURRENT (MAX)	20	mA
MINIMUM SPL @ 10 CM	103	dB
RESONANT FREQUENCY	2,800 ± 500	Hz
TONE OR PULSE RATE	CONTINUOUS	0 pulse /sec
OPERATING TEMPERATURE	-20 ~ +60	°C
STORAGE TEMPERATURE	-30 ~ +70	°C
HOUSING MATERIAL	ABS	-
TERMINAL MATERIAL	LEAD WIRES	-
WEIGHT	38	grams

THIS DOCUMENT CONTAINS DATA PROPRIETARY TO PROJECTS UNLIMITED, INC. ANY USE OR REPRODUCTION, IN ANY FORM, WITHOUT PRIOR WRITTEN PERMISSION OF PROJECTS UNLIMITED, INC. IS PROHIBITED.
©2003, Projects Unlimited Inc.

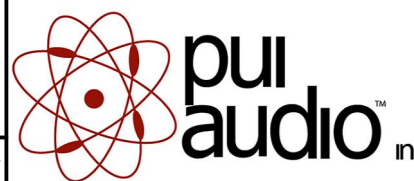
REVISION HISTORY

LTR	DESCRIPTION	DATE	APPROVED
-	RELEASED FROM ENGINEERING	5/25/2006	
A	REVISED SPL	8/13/2007	D.F.
B	REVISED TO INVENTOR 3-D DRAWING TEMPLATE	3/18/2008	B.R.
C	REVISED SPL SPECIFICATION	2/20/2020	M.V.



NOTES:

1. ALL DIMENSIONS ARE IN MILLIMETERS.
2. SPECIFICATIONS SUBJECT TO CHANGE OR WITHDRAWL WITHOUT NOTICE.
3. THIS PART IS RoHS 2002/95/EC COMPLIANT.

UNLESS OTHERWISE SPECIFIED: DIMENSIONS ARE IN MILLIMETERS, TOLERANCES ARE ±0.5 AND ANGLES ARE ±3°.	SIZE A3	Designed by	Date	Checked by	Date	Approved by	Date	Drawn Date
		J.D.	5/25/2006	E.P.	5/25/2006	B.R.	5/25/2006	3/18/2008
X-5328-P-C-LW165-R.idw				X-5328-P-C-LW165-R			Indicator	
							Edition	Sheet
							-	1 / 1

Mouser Electronics

Authorized Distributor

Click to View Pricing, Inventory, Delivery & Lifecycle Information:

[PUI Audio:](#)

[X-5328-P-C-LW165-R](#)