



Data Sheet

SMT-0440-T-2-R

Though extremely small, the SMT-0440 series transducers are constructed almost exactly the same as electro-mechanical transducers three times their size.

The 4mm square by 2mm high **SMT-0440-T-2-R** top-firing electro-mechanical transducer features a minimum SPL of 70 dBA at 10cm with only 3V (0-peak) input at 4 kHz. Glue is externally applied to the housing seams to prevent ingress of potting material.

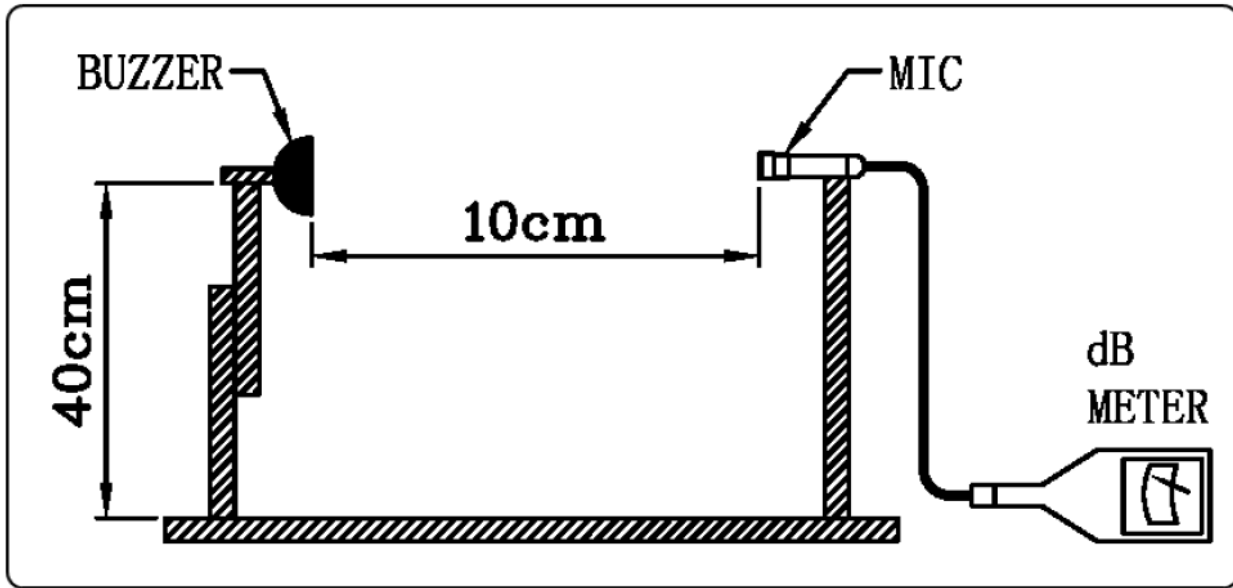
Features:

- Ultra-small design for wearable devices
- High output in a small, lightweight package
- Pick-and-place and reflow compatible
- Designed for use on potted PCBs

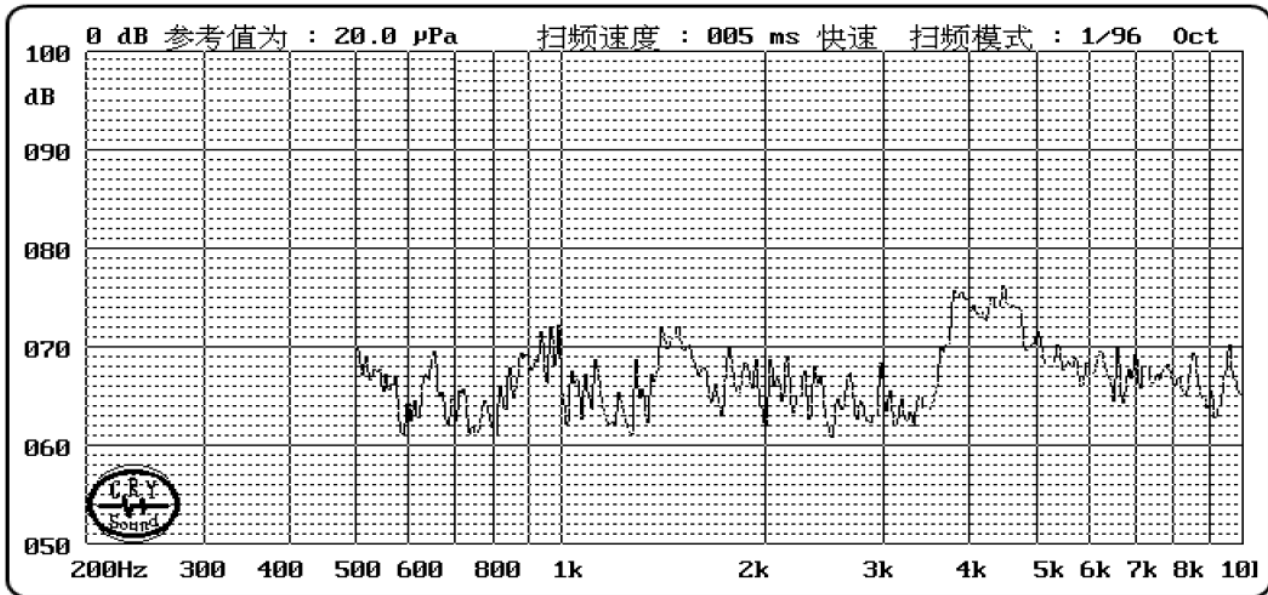
Specifications

Parameters	Values	Units
Rated Voltage	3	Volts 0-peak
Operating Voltage Range	2 ~ 4	Volts 0-peak
Impedance	17 ± 3	Ohms
Minimum SPL (Rated voltage @ 10cm)	70	dBA
Resonant Frequency	4,000 ±500	Hz
Max Current Draw (Rated voltage, 50% duty cycle, at resonant frequency)	90	mA
Housing Material	LCP	-
Terminal Material	Tin-plated Brass	-
Weight	0.1	Grams
Operating Temperature	-20 ~ +70	°C
Storage Temperature	-30 ~ +80	°C

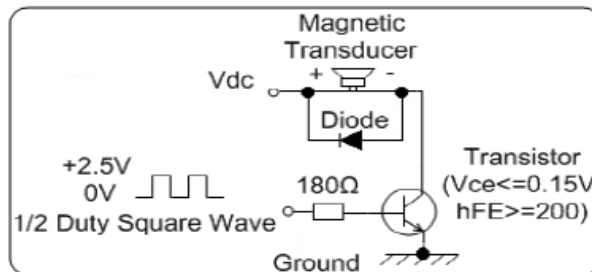
Measurement Method (3V0-p sine-sweep)



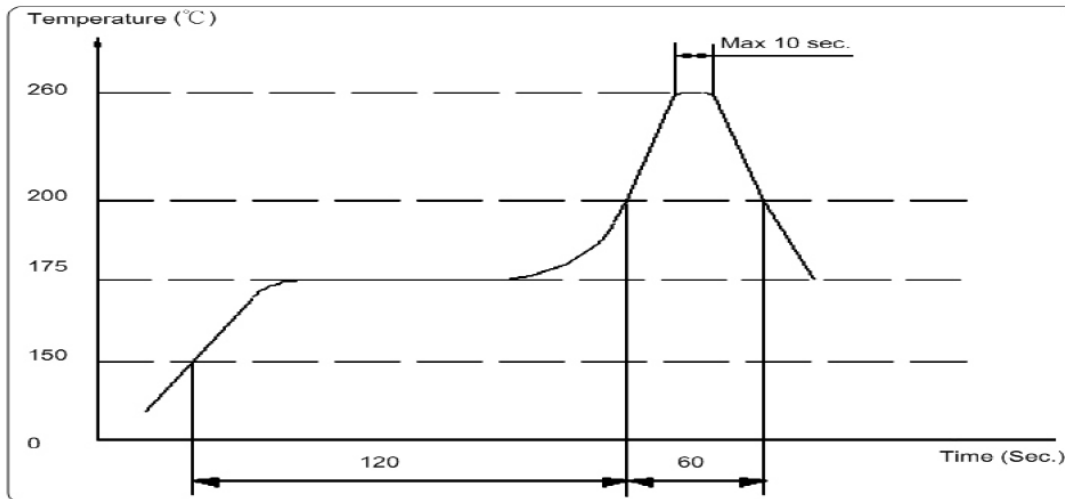
Frequency Response (measured with 3V0-p @ 10cm)



Recommended Drive Circuit



Recommended Reflow Profile

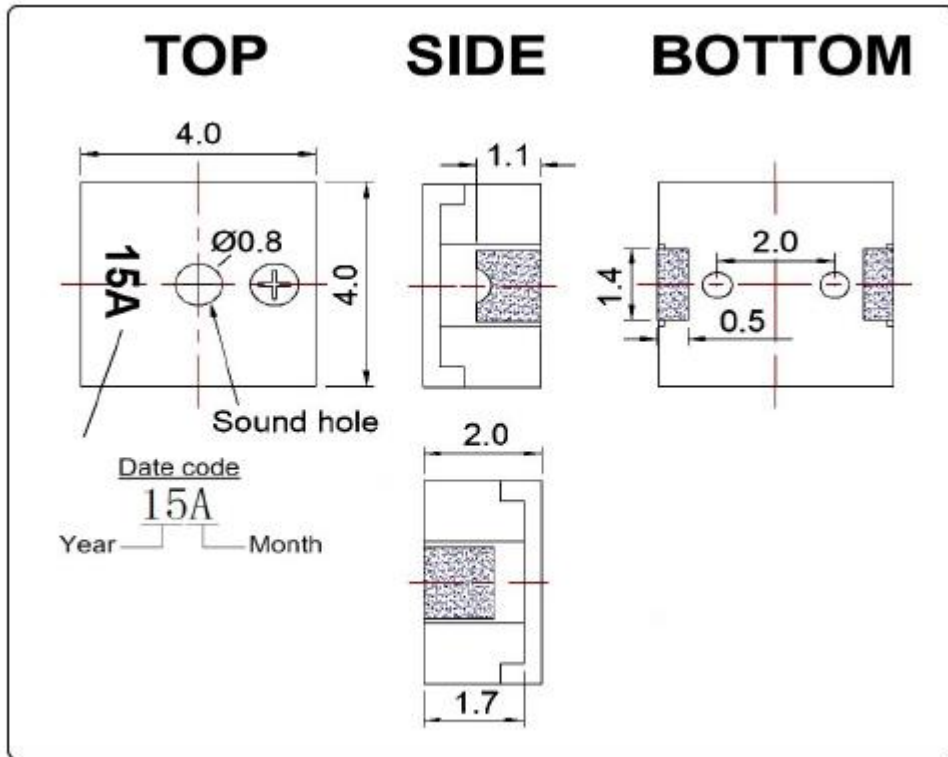


Reliability Testing

Type of Test	Test Specifications
High Temperature Test	96 hours at +70°C ± 2°C followed by two hours in normal room temperature
Low Temperature Test	96 hours at -20°C ± 2°C followed by two hours in normal room temperature
Humidity Test	25 ± 2 °C at 90-95% RH for 5 hr, then to 55 ± 2°C at 90-95% RH for 5hr, then to 25°C ± 2°C at 90-95% RH for 0.5hr, 10 cycles
Temperature Cycle Testing	The part shall be subjected to 5 cycles using the following procedure followed by two hours at room temperature:
Vibration Test	10 to 50 to 10 Hz in three perpendicular directions for two hours each.
Drop Test	Drop transducer from a 70cm height onto a 10mm thick wooden board in three directions.

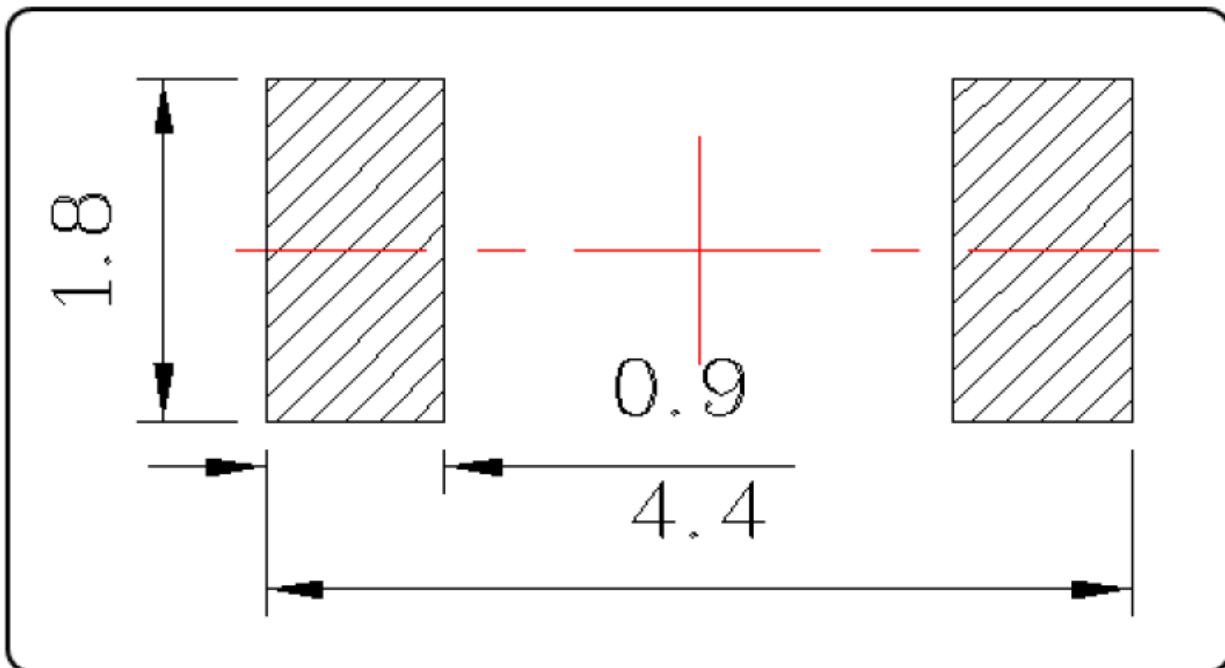
After each test, the part's SPL, frequency response, and current draw shall meet specifications.

Dimensions

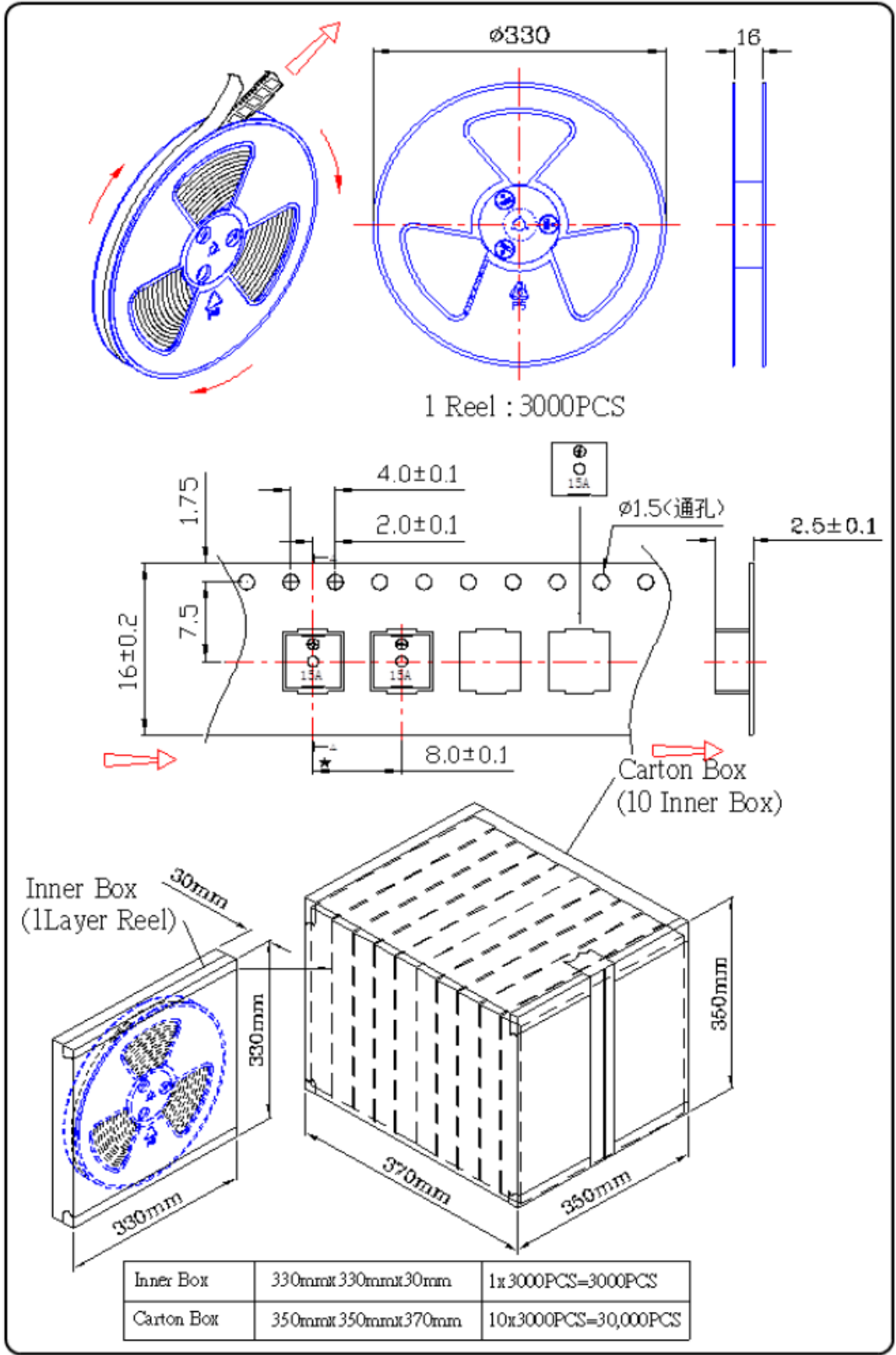


Tolerance: $\pm 0.5\text{mm}$ except specified

Recommended PCB Land Pattern



Packaging



Specifications Revisions

Revision	Description	Date
-	Released from Engineering	2/10/2017
A	Added Note 4 to add inspection of solder pads for glue.	2/28/2018

Notes:

1. Unless otherwise specified:
 - A. All dimensions are in millimeters.
 - B. Default tolerances are $\pm 0.5\text{mm}$ and angles are $\pm 3^\circ$.
2. Specifications subject to change or withdrawal without notice.
3. This part is RoHS 2011/65/EU Compliant.
4. Parts are inspected with UV light after external glue is applied to the housing to ensure no glue is present on the solder pads.

Mouser Electronics

Authorized Distributor

Click to View Pricing, Inventory, Delivery & Lifecycle Information:

[PUI Audio:](#)

[SMT-0440-T-2-R](#)