

THIS DOCUMENT CONTAINS DATA PROPRIETARY TO PROJECTS UNLIMITED, INC. ANY USE OR REPRODUCTION, IN ANY FORM, WITHOUT PRIOR WRITTEN PERMISSION OF PROJECTS UNLIMITED, INC. IS PROHIBITED.
© 2005, Projects Unlimited Inc.

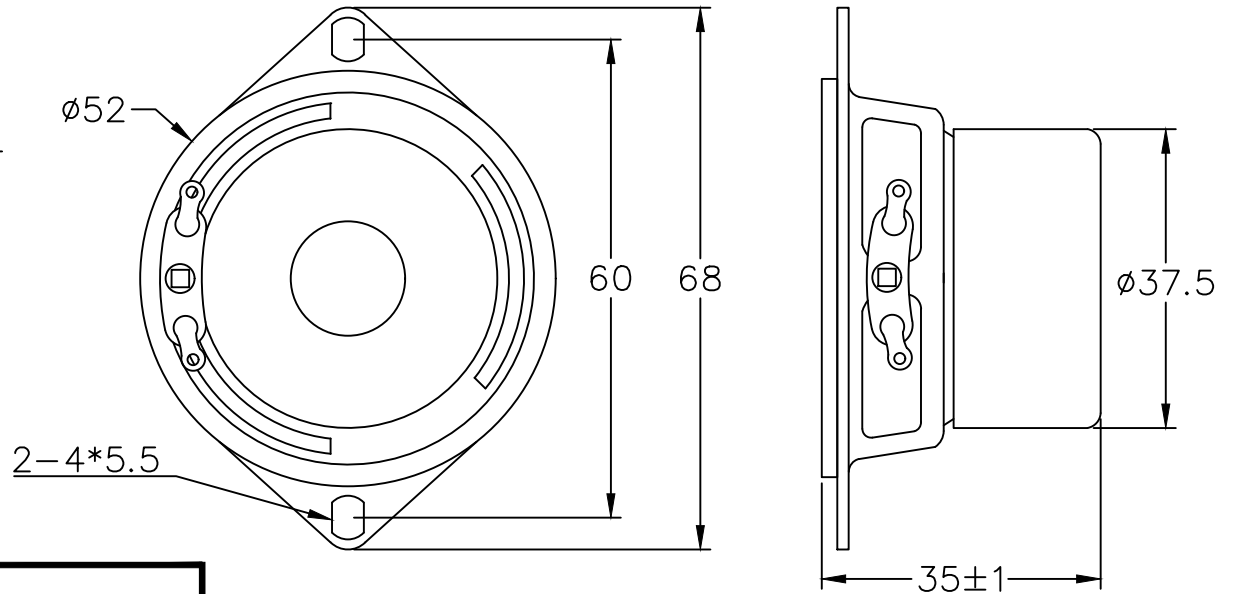
SPECIFICATIONS


| PARAMETERS | VALUES | UNITS |
|--|-------------------------|-------|
| RATED INPUT POWER | 10 | W |
| MAX INPUT POWER | 12 | W |
| IMPEDANCE | 8±15% | OHM |
| OUTPUT SPL @ 1W/1M (AVG. 0.6, 0.8, 1.0, 1.2kHz) | 77±3 | dB |
| DISTORTION (MAX.) | 5% | - |
| RESONANT FREQUENCY | 200±20% | Hz |
| FREQUENCY RANGE | F _o ~ 20,000 | Hz |
| HOUSING MATERIAL | METAL | - |
| CONE MATERIAL | PAPER | - |
| MAGNET MATERIAL | RARE EARTH | - |
| OPERATING TEMPERATURE | -20 ~ +60 | °C |
| WEIGHT | 85 | grams |

| REVISIONS | | | |
|-----------|---------------------------|---------|----------|
| LTR | DESCRIPTION | DATE | APPROVED |
| - | RELEASED FROM ENGINEERING | 3/21/18 | |

NOTES:

1. ALL DIMENSIONS ARE IN MILLIMETERS.
2. SPECIFICATION SUBJECT TO CHANGE OR WITHDRAWAL WITHOUT NOTICE.
3. THIS PART IS RoHS 2011/65/EU COMPLIANT.



| | | | |
|--|------|--|--|
| <small>UNLESS OTHERWISE SPECIFIED: ALL PURCHASES ARE SUBJECT TO THE PUI AUDIO TERMS AND CONDITIONS SALE FOUND AT http://www.puiaudio.com/pdf/terms_conditions.pdf (paper copy available upon request). DIMENSIONS ARE IN MILLIMETERS, TOLERANCES ARE ±0.5 AND ANGLES ARE ±3°.</small> | |  <p>pui audio a projects unlimited company</p> | <p>3541 Stop Eight Road Dayton, Ohio 45414</p> |
| <p>SPEAKER</p> | | | |
| APPROVALS | DATE | SIZE | DRAWING NO. |
| DRAWN <i>M.L.</i> | 8/16 | A | AS05208PR-4-R |
| CHECKED <i>M.L.</i> | 8/16 | | |
| APPROVED <i>B.R.</i> | 8/16 | SCALE: N.T.S. | FILE NAME |
| | | SHEET 1 OF 1 | AS05208PR-4-R.DWG |

Mouser Electronics

Authorized Distributor

Click to View Pricing, Inventory, Delivery & Lifecycle Information:

[PUI Audio:](#)

[AS05208PR-4-R](#) [SMT-0827-S-HT-R](#)