

THIS DOCUMENT CONTAINS DATA PROPRIETARY TO PROJECTS UNLIMITED, INC. ANY USE OR REPRODUCTION, IN ANY FORM, WITHOUT PRIOR WRITTEN PERMISSION OF PROJECTS UNLIMITED, INC. IS PROHIBITED.
© 2005, Projects Unlimited Inc.

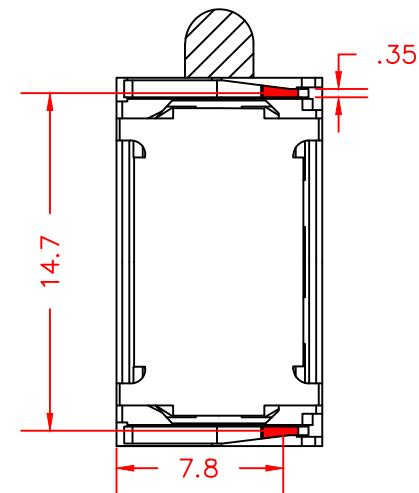
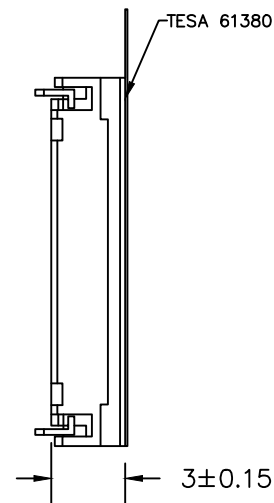
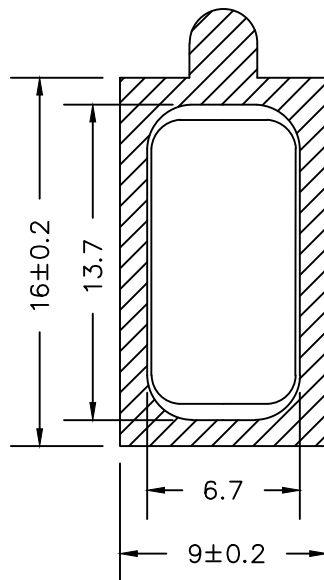
SPECIFICATIONS

PARAMETERS	VALUES	UNITS
RATED INPUT POWER	.94	W
MAX INPUT POWER	1.2	W
IMPEDANCE	6±20%	OHM
OUTPUT SPL @ 2.37Vrms/0.1M (2.0 kHz AVG., 1cc box)	91±3	dB
DISTORTION (MAX.)	10%	—
RESONANT FREQUENCY	850±20%	Hz
FREQUENCY RANGE	500 ~ 20,000	Hz
HOUSING MATERIAL	PPA	—
CONE MATERIAL	PEEK	—
MAGNET MATERIAL	NdFeB	—
OPERATING TEMPERATURE	-20 ~ +60	°C
WEIGHT	1.2	grams

REVISIONS

LTR	DESCRIPTION	DATE	APPROVED
—	RELEASED FROM ENGINEERING	3/26/18	

*land pattern in red

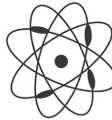


NOTES:

- ALL DIMENSIONS ARE IN MILLIMETERS.
- SPECIFICATION SUBJECT TO CHANGE OR WITHDRAWAL WITHOUT NOTICE.
- 2-SIDED ADHESIVE: TESA 61380
- THIS PART IS RoHS 2011/65/EU COMPLIANT.
- THE FACE OF THIS PART CONFORMS TO IP67 WATERPROOF STANDARDS.

BASE SPEAKER:
AS01606MS-SC16-WP-R

FILE NAME
AS01606MS-SC16-WP-2-R.DWG

<small>UNLESS OTHERWISE SPECIFIED: ALL PURCHASES ARE SUBJECT TO THE PUI AUDIO TERMS AND CONDITIONS SALE FOUND AT http://www.puiaudio.com/pdf/terms_conditions.pdf (paper copy available upon request).</small>		 <p>pui audio inc a projects unlimited company</p>	<p>3541 Stop Eight Road Dayton, Ohio 45414</p>
<small>DIMENSIONS ARE IN MILLIMETERS. TOLERANCES ARE ±0.5 AND ANGLES ARE ±3°.</small>			
APPROVALS		DATE	<h1>SPEAKER</h1>
DRAWN	M.L.	3/18	
CHECKED	M.L.	3/18	
APPROVED	B.R.	3/18	
SIZE	DRAWING NO.		<p>AS01606MS-SC16-WP-2-R</p>
A			
SCALE: N.T.S.		SHEET 1 OF 1	

Mouser Electronics

Authorized Distributor

Click to View Pricing, Inventory, Delivery & Lifecycle Information:

[PUI Audio:](#)

[AS01606MS-SC16-WP-2-R](#)