

# SPECIFICATIONS

PARAMETERS	VALUES	UNITS
RATED VOLTAGE	24	Vdc
OPERATING VOLTAGE RANGE	1 ~ 28	Vdc
RATED CURRENT (MAX)	15	mA
MINIMUM SPL @ 10 CM	95	dBA
RESONANT FREQUENCY	2,900 ± 500	Hz
TONE OR PULSE RATE	CONTINUOUS	0 pulse/sec
OPERATING TEMPERATURE	-20 ~ +60	°C
STORAGE TEMPERATURE	-30 ~ +70	°C
HOUSING MATERIAL	NYLON	-
TERMINAL MATERIAL	Ni PLATED COPPER	-
WEIGHT	14	grams

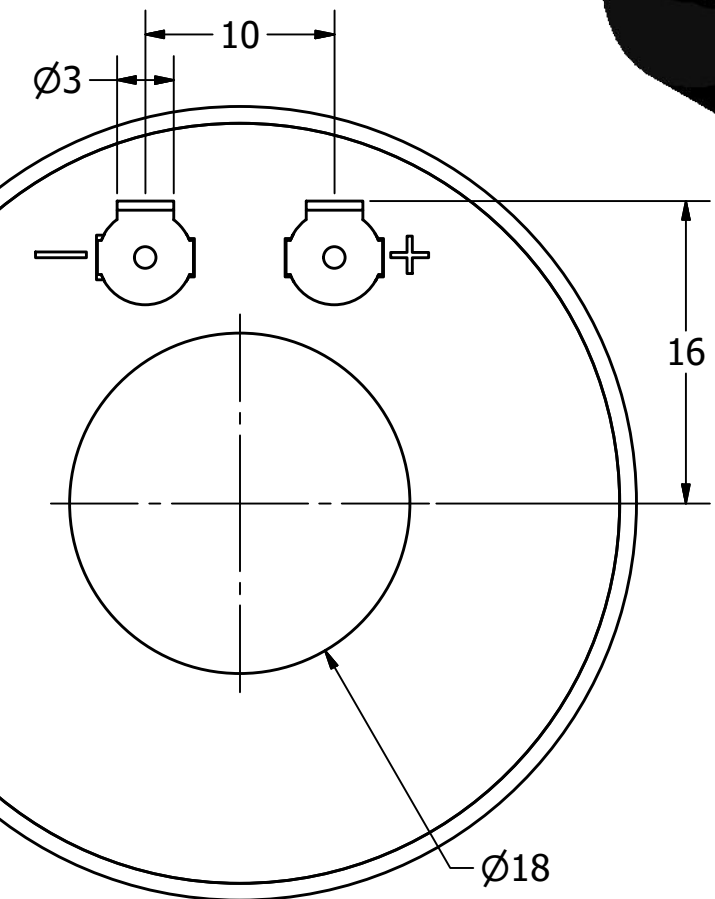
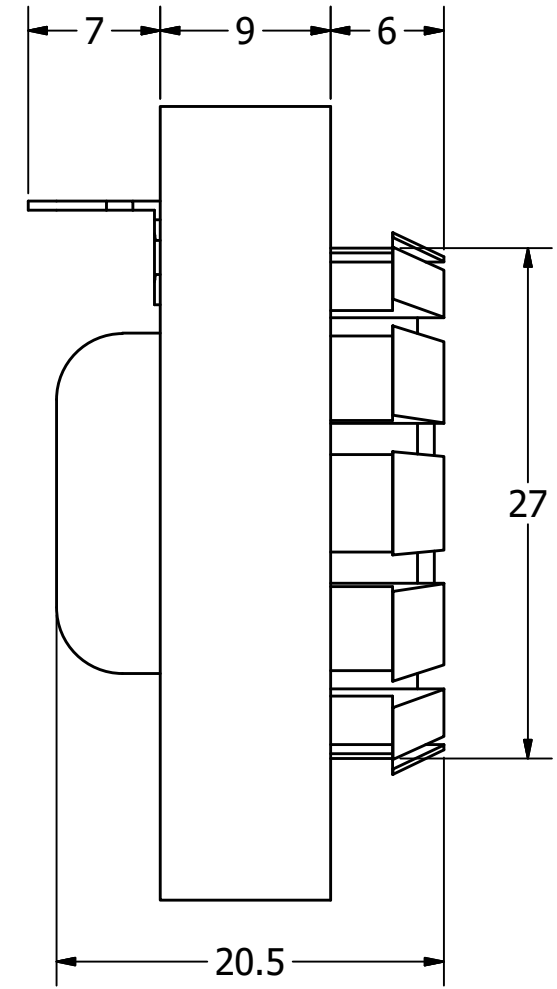
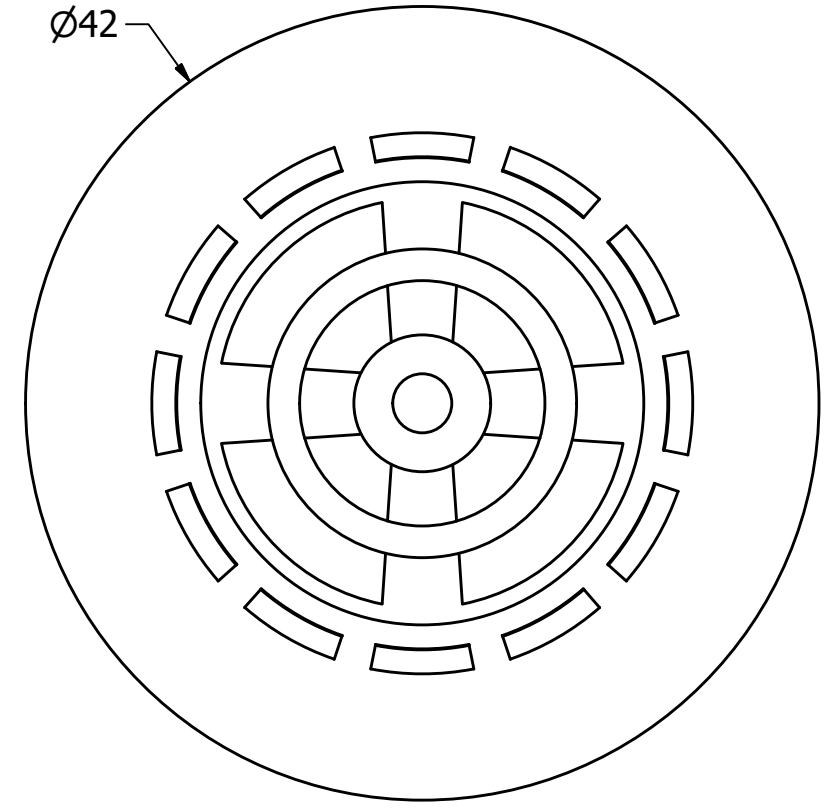
THIS DOCUMENT CONTAINS DATA PROPRIETARY TO PROJECTS UNLIMITED, INC. ANY USE OR REPRODUCTION, IN ANY FORM, WITHOUT PRIOR WRITTEN PERMISSION OF PROJECTS UNLIMITED, INC. IS PROHIBITED.  
©2003, Projects Unlimited Inc.

# REVISION HISTORY

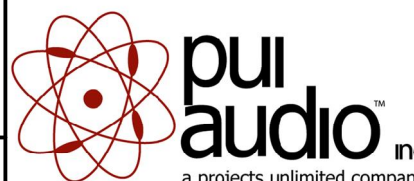
LTR	DESCRIPTION	DATE	APPROVED
-	RELEASED FROM ENGINEERING	5/18/2006	
A	ADDED SNAP IN DIMENSION	11/21/2007	B.R.
B	REVISED TO INVENTOR 3-D DRAWING TEMPLATE	3/6/2008	B.R.
C	REVISED HOUSING MATERIAL TO ABS	8/9/2016	M.V.
D	HOUSING MATERIAL CHANGED TO NYLON ON DATE CODE 18D AND AFTER	6/1/2018	M.V.



Ø42



- NOTES:**
1. ALL DIMENSIONS ARE IN MILLIMETERS.
  2. SPECIFICATIONS SUBJECT TO CHANGE OR WITHDRAWL WITHOUT NOTICE.
  3. THIS PART IS RoHS 2002/95/EC COMPLIANT.

UNLESS OTHERWISE SPECIFIED: DIMENSIONS ARE IN MILLIMETERS, TOLERANCES ARE ±0.5 AND ANGLES ARE ±3°.	SIZE <b>A3</b>	Designed by	Date	Checked by	Date	Approved by	Date	Drawn Date	
		J.D.	5/18/2006	E.P.	5/18/2006	B.R.	5/18/2006	3/6/2008	
AI-4230-S-C24-R.idw				<b>AI-4230-S-C24-R</b>				Indicator	
						Edition		Sheet	
						-		1 / 1	

# Mouser Electronics

Authorized Distributor

Click to View Pricing, Inventory, Delivery & Lifecycle Information:

[PUI Audio:](#)

[AI-4230-S-C24-R](#)