



pui audio™ inc
a projects unlimited company

AI-1223-TWT-5V-R 12mm Indicator

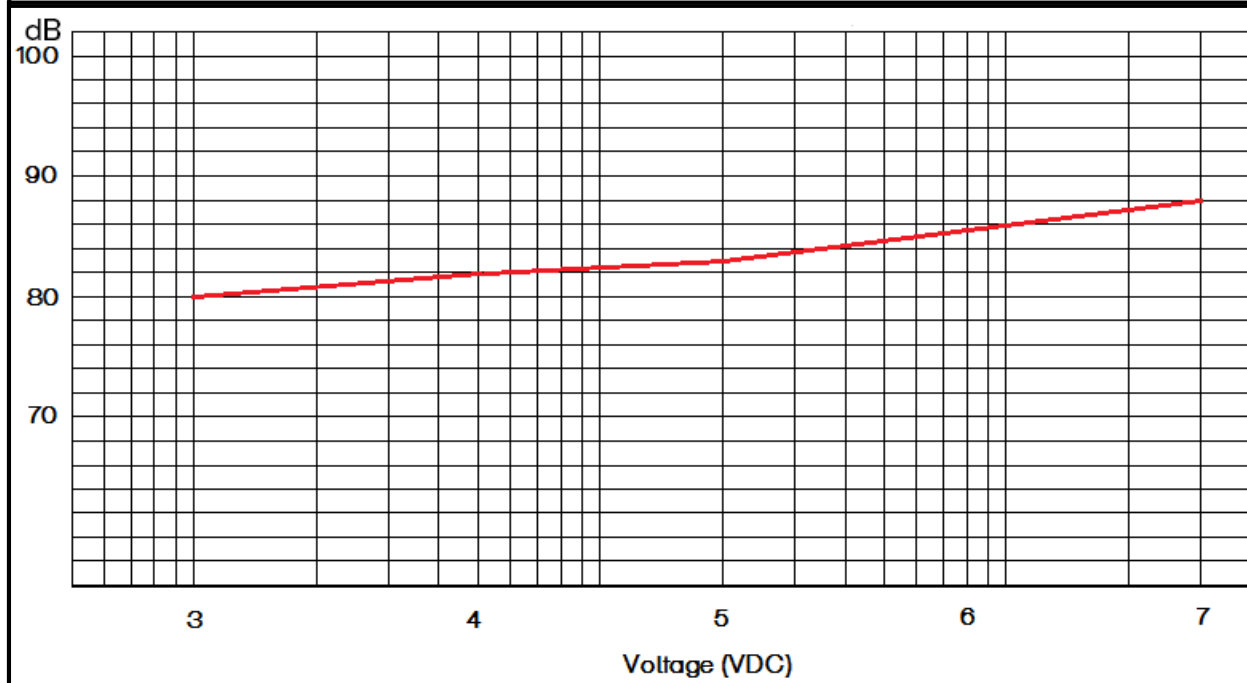


3541 Stop Eight Road • Dayton, Ohio 45414

Product Overview

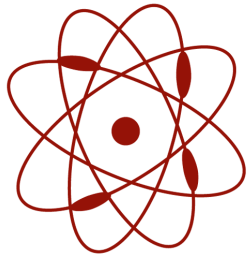
- 12mm diameter, 3-7 VDC self-drive indicator
- 85 dBA minimum output (5 VDC @ 10 cm) and 2,300 Hz continuous tone
- PBT housing withstands Wave soldering temperatures
- Removable wash tag preserves performance

SPL vs Voltage (measured @10 cm)



RoHS COMPLIANT BY DESIGN





pui audio™ inc
a projects unlimited company

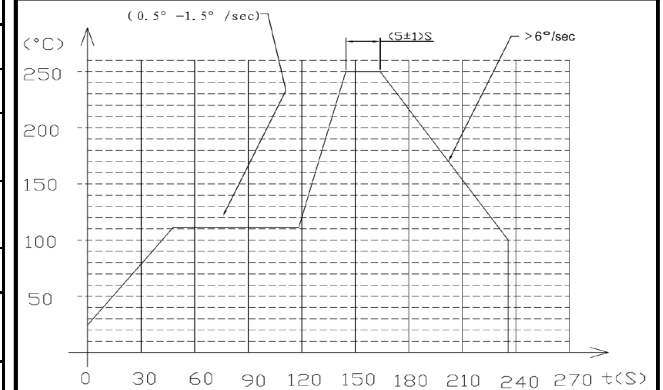
AI-1223-TWT-5V-R 12mm Indicator

Mechanical and Environment Testing

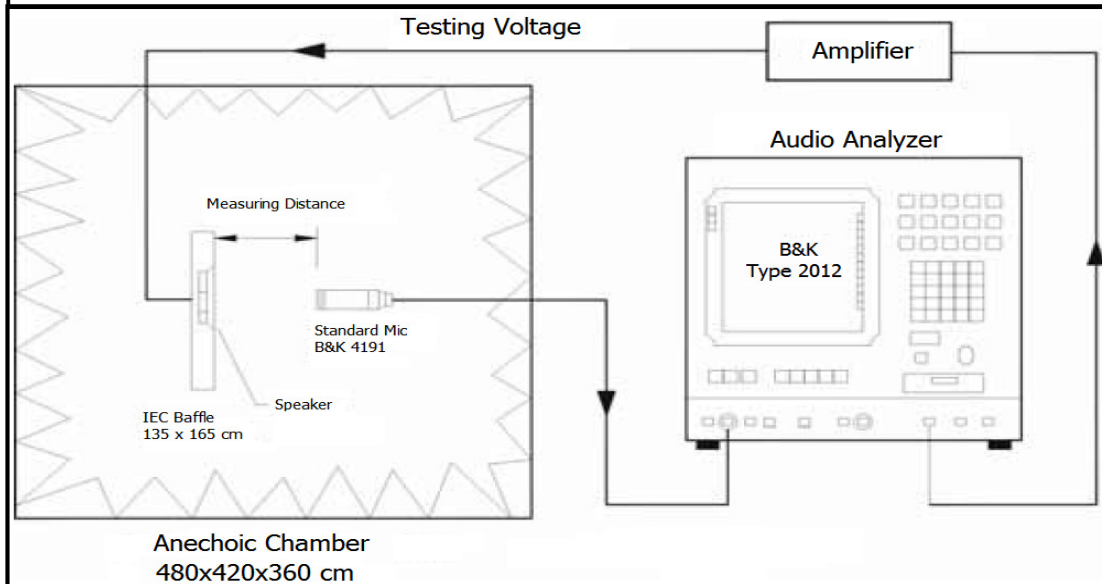
Test Description	Test Condition
High Temperature	85°C (±2°C) with random humidity for 96 hours
Low Temperature	-25°C (±2°C) with random humidity for 96 hours
Humidity	40°C (±2°C) with 90% to 95% relative humidity for 96 hours
Vibration	0.75 mm movement modulated at 10-55 Hz for 3 hours
Drop Test	100 cm free fall onto wood board, 10 cycles
Temperature Cycle Test	-30°C to 80°C, 100 cycles

After tests, part shall rest for 2 hours. Parts are then tested for clean, pure tones.

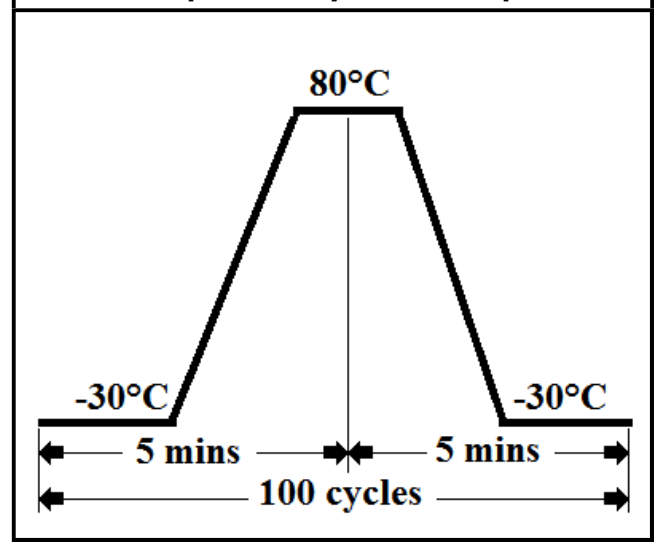
Wave Solder Profile



Frequency Response and SPL Measurement Setup



Temperature Cycle Test Graph



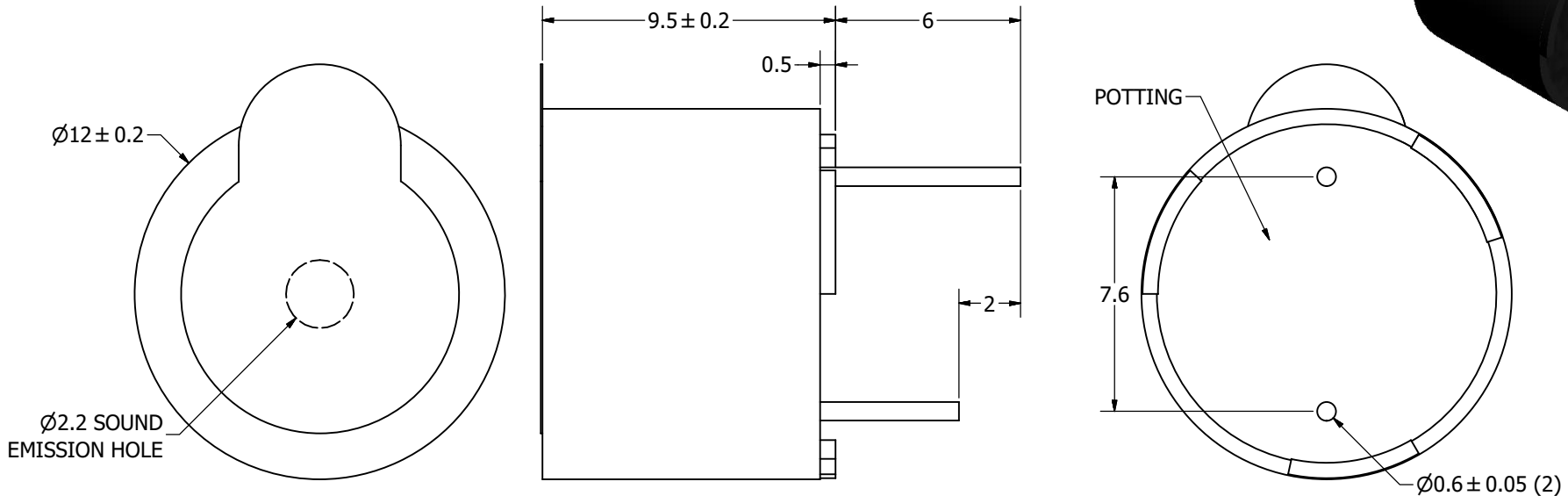
SPECIFICATIONS

PARAMETERS	VALUES	UNITS
RATED VOLTAGE	5	Vdc
OPERATING VOLTAGE RANGE	3 ~ 7	Vdc
RATED CURRENT (MAX)	30	mA
MINIMUM SPL @ 10 CM	85	dBA
RESONANT FREQUENCY	2,300 ± 300	Hz
tone OR PULSE RATE	CONTINUOUS	0 pulse /sec
OPERATING TEMPERATURE	-40 ~ +85	°C
STORAGE TEMPERATURE	-40 ~ +85	°C
HOUSING MATERIAL	PBT	-
TERMINAL MATERIAL	Sn PLATED RED COPPER	-
WEIGHT	2	grams

THIS DOCUMENT CONTAINS DATA PROPRIETARY TO PROJECTS UNLIMITED, INC. ANY USE OR REPRODUCTION, IN ANY FORM, WITHOUT PRIOR WRITTEN PERMISSION OF PROJECTS UNLIMITED, INC. IS PROHIBITED.
©2003, Projects Unlimited Inc.

REVISION HISTORY

LTR	DESCRIPTION	DATE	APPROVED
-	RELEASED FROM ENGINEERING	6/10/2004	
A	REMOVED LEAD FREE ADDED RoHS NOTE	8/11/2005	B.R.
B	REVISED DIMENSION SIZE AND STYLE	11/28/2005	B.R.
C	REVISED TO INVENTOR 3-D DRAWING TEMPLATE	10/8/2007	B.R.
D	REVISED OPERATING AND STORAGE TEMPERATURES	12/1/2011	B.R.
E	REVISED HOUSING MATERIAL	9/25/2012	B.R.



NOTES:

1. ALL DIMENSIONS ARE IN MILLIMETERS.
2. SPECIFICATIONS SUBJECT TO CHANGE OR WITHDRAWAL WITHOUT NOTICE.
3. THIS PART IS RoHS 2002/95/EC COMPLIANT.

UNLESS OTHERWISE SPECIFIED: DIMENSIONS ARE IN MILLIMETERS, TOLERANCES ARE ± 0.5 AND ANGLES ARE $\pm 3^\circ$.	SIZE A3	Designed by	Date	Checked by	Date	Approved by	Date	Drawn Date
		R.A.C.	6/9/2004			R.W.	6/9/2004	10/8/2007
AI-1223-TWT-5V-R.idw		 pui audio <small>a projects unlimited company</small>		AI-1223-TWT-5V-R				
				Indicator		Edition	Sheet	
				-	1 / 1			

Mouser Electronics

Authorized Distributor

Click to View Pricing, Inventory, Delivery & Lifecycle Information:

[PUI Audio:](#)

[AI-1223-TWT-5V-R](#)