

Temperature measuring transducer - MCR-FL-TS-LP-I-EX-200 - 2904871

Please be informed that the data shown in this PDF Document is generated from our Online Catalog. Please find the complete data in the user's documentation. Our General Terms of Use for Downloads are valid (<http://phoenixcontact.com/download>)



MCR temperature measuring transducers, resistance thermometers, thermocouples, resistance and voltage sensors

Why buy this product

- Preconfigured to 200°C
- Can be installed in zone 1
- 2-way electrical isolation
- 4
20 mA/20
4 mA output
- Loop-powered
- Single-channel
- HART-capable



Key Commercial Data

Packing unit	1 STK
GTIN	 4 046356 902465
GTIN	4046356902465
Custom tariff number	85437090
Note	Made to Order (non-returnable)

Technical data

Dimensions

Width	12.5 mm
Height	99 mm
Depth	114.5 mm

Ambient conditions

Degree of protection	IP20
----------------------	------

Temperature measuring transducer - MCR-FL-TS-LP-I-EX-200 - 2904871

Technical data

Input data

Configurable/programmable	no, preconfigured
Sensor types (RTD) that can be used	Pt, Ni (100, 500, 1000); min. measurement range 10 K
Sensor types that can be used (TC)	B, C, D, E, J, K, L, N, R, S, T, U; min. measurement range 50 K/500 K
Input signal range	10 Ω ... 400 Ω (min. measurement range 10 Ω)
	-10 mV ... 100 mV (min. measurement range 5 mV)

Output data

Signal output	Current output
Current output signal	4 mA ... 20 mA
	20 mA ... 4 mA
Max. current output signal	≤ 23 mA
Output current with short-circuit	≤ 3.6 mA or ≥ 21 mA (adjustable, not for thermocouples)
Output current with wire break	≤ 3.6 mA or ≥ 21 mA (adjustable)
Output current range with overrange/underrange	3.8 mA ... 20.5 mA
Load/output load current output	≤ 520 Ω (At $U_V = 24\text{ V}$; $U_{\text{supply}} - 12\text{ V} / 0.023\text{ A}$)

Power supply

Designation	Loop-powered
Supply voltage range	12 V DC ... 30 V DC
Max. current consumption	< 3.5 mA

Connection data

Conductor cross section solid min.	0.2 mm ²
Conductor cross section solid max.	2.5 mm ²
Conductor cross section flexible min.	0.2 mm ²
Conductor cross section flexible max.	2.5 mm ²
Conductor cross section AWG min.	24
Conductor cross section AWG max.	14
Stripping length	8 mm
Screw thread	M3
Connection method	Pluggable screw connection
Tightening torque, min	0.5 Nm
Tightening torque max	0.6 Nm

General

Step response (10-90%)	< 2 s
Switch-on delay	4 s
Flammability rating according to UL 94	V0
Standards/regulations	NAMUR recommendation NE 21
Housing material	Polyamide PA non-reinforced
Color	green
Line monitoring	NE 43
Conformance	CE-compliant

Temperature measuring transducer - MCR-FL-TS-LP-I-EX-200 - 2904871

Technical data

Standards and Regulations

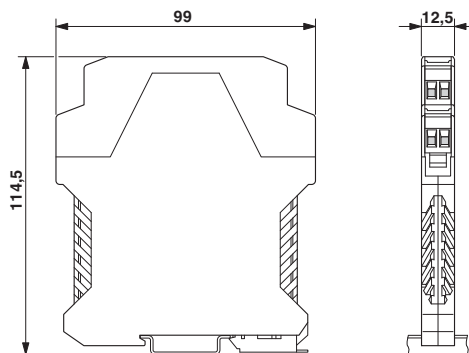
Standards/regulations	NAMUR recommendation NE 21
Flammability rating according to UL 94	V0
Conformance	CE-compliant

Environmental Product Compliance

China RoHS	Environmentally Friendly Use Period = 50
	For details about hazardous substances go to tab "Downloads", Category "Manufacturer's declaration"

Drawings

Dimensional drawing



Approvals

Approvals

Approvals

EAC

Ex Approvals

Approval details

EAC RU C-DE.A*30.B.01082

Mouser Electronics

Authorized Distributor

Click to View Pricing, Inventory, Delivery & Lifecycle Information:

[Phoenix Contact:](#)

[2904871](#)