

Panel feed-through terminal block - PWO 16-UW/S - 1844390

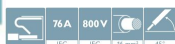
Please be informed that the data shown in this PDF Document is generated from our Online Catalog. Please find the complete data in the user's documentation. Our General Terms of Use for Downloads are valid (<http://phoenixcontact.com/download>)




Panel feed-through terminal block, connection method: Push-in spring connection, Screw connection with tension sleeve, number of positions: 1, load current: 76 A, cross section: 1.5 mm² - 16 mm², connection direction of the conductor to plug-in direction: 45 °, width: 12 mm, color: gray

Your advantages

- ✓ Time saving push-in connection, tools not required
- ✓ Defined contact force ensures that contact remains stable over the long term
- ✓ Tool-free snap-in principle enables easy mounting on the device panel
- ✓ Automatic panel thickness compensation enables universal use



Key Commercial Data

| | |
|--------------|---|
| Packing unit | 50 pc |
| GTIN |  4 046356 951326 |
| GTIN | 4046356951326 |

Technical data

Item properties

| | |
|---------------------------|-----------------------------------|
| Brief article description | Panel feed-through terminal block |
| Range of articles | PWO 16-UW |
| Pitch | 12.1 mm |
| Number of positions | 1 |
| Connection method | Push-in spring connection |
| Number of connections | 2 |
| Number of potentials | 1 |

Electrical parameters

| | |
|-----------------|-------|
| Nominal current | 76 A |
| Nom. voltage | 800 V |
| Rated voltage | 800 V |

Panel feed-through terminal block - PWO 16-UW/S - 1844390

Technical data

Connection capacity, external

| | |
|---|--|
| Connection method | Push-in spring connection |
| Connection direction of the conductor to plug-in direction | 45 ° |
| Conductor cross section solid | 1.5 mm ² ... 16 mm ² |
| Single-conductor/terminal point multi-stranded | 1.5 mm ² ... 16 mm ² |
| Conductor cross section flexible | 1.5 mm ² ... 16 mm ² |
| Conductor cross section flexible, with ferrule without plastic sleeve | 1.5 mm ² ... 16 mm ² |
| Conductor cross section, flexible, with ferrule, with plastic sleeve | 1.5 mm ² ... 16 mm ² |
| 2 conductors with the same cross section, flexible, with TWIN ferrule with plastic sleeve | 1.5 mm ² ... 4 mm ² |
| Stripping length | 18 mm |

Connection capacity, internal

| | |
|---|--|
| Connection method | Screw connection with tension sleeve |
| Connection direction of the conductor to plug-in direction | 0 ° |
| Conductor cross section solid | 6 mm ² ... 16 mm ² |
| Single-conductor/terminal point multi-stranded | 6 mm ² ... 25 mm ² |
| Conductor cross section flexible | 6 mm ² ... 16 mm ² |
| Conductor cross section AWG | 10 ... 4 |
| Conductor cross section flexible, with ferrule without plastic sleeve | 6 mm ² ... 16 mm ² |
| Conductor cross section, flexible, with ferrule, with plastic sleeve | 6 mm ² ... 16 mm ² |
| 2 conductors with the same cross section, flexible, with TWIN ferrule with plastic sleeve | 4 mm ² ... 6 mm ² |
| Conductor cross section AWG / kcmil | 10 ... 4 |
| Internal cylindrical gage | B7 |
| Stripping length | 16 mm |
| Torque | 2 Nm ... 2.3 Nm |

Material data - contact

| | |
|-------------------------|---|
| Note | WEEE/RoHS-compliant, free of whiskers according to IEC 60068-2-82/ JEDEC JESD 201 |
| Contact material | Cu alloy |
| Surface characteristics | tin-plated |

Material data - housing

| | |
|---|-------------|
| Housing color | gray (7042) |
| Insulating material | PA |
| Insulating material group | I |
| CTI according to IEC 60112 | 600 |
| Flammability rating according to UL 94 | V0 |
| Glow wire flammability index GWFI according to EN 60695-2-12 | 850 |
| Glow wire ignition temperature GWIT according to EN 60695-2-13 | 775 |
| Temperature for the ball pressure test according to EN 60695-10-2 | 125 °C |

Dimensions for the product

Panel feed-through terminal block - PWO 16-UW/S - 1844390

Technical data

Dimensions for the product

| | |
|-------------|---------|
| Width [w] | 12 mm |
| Pitch | 12.1 mm |

Dimensions for mounting cutout

| | |
|-----------------|---------------|
| Plate thickness | 1 mm ... 6 mm |
|-----------------|---------------|

Packaging information

| | |
|----------------------------|------|
| Pieces per package | 50 |
| Denomination packing units | Pcs. |

General product information

| | |
|--------------|---|
| Type of note | Notes on safety |
| Note | The cable entry funnel is not touch-proof. Never connect or disconnect the terminal when it is energized. Take appropriate steps to ensure touch proofness. |

Ambient conditions

| | |
|---|---|
| Ambient temperature (storage/transport) | -40 °C ... 70 °C |
| Ambient temperature (assembly) | -5 °C ... 100 °C |
| Ambient temperature (operation) | -40 °C ... 100 °C (Depending on the current carrying capacity/derating curve) |

Electrical tests

| | |
|-------------------------|--------------------|
| Rated current | 76 A |
| Conductor cross section | 16 mm ² |

Air clearances and creepage distances

| | |
|---|----------------------------------|
| Clearances and creepage distances | IEC 60947-1:2007-06 + A1:2010-12 |
| Specification | IEC 60947-1:2007-06 + A1:2010-12 |
| Minimum clearance - inhomogeneous field (III/3) | 8 mm |
| Minimum clearance - inhomogeneous field (III/2) | 8 mm |
| Minimum clearance - inhomogeneous field (II/2) | 5.5 mm |
| Minimum creepage distance value (III/3) | 10 mm |
| Minimum creepage distance value (III/2) | 5 mm |
| Minimum creepage distance value (II/2) | 5 mm |

Standards and Regulations

| | |
|--|--|
| Connection in acc. with standard | IEC 60947-7-1 |
| Flammability rating according to UL 94 | V0 |
| Safety note | <ul style="list-style-type: none"> • WARNING: Only electrically qualified personnel may install and operate the product. They must observe the following safety notes. The qualified personnel must be familiar with the basics of electrical engineering. They must be able to recognize and prevent danger. The relevant symbol on the packaging indicates that only personnel familiar with electrical engineering are allowed to install and operate the product. |
| | <ul style="list-style-type: none"> • The installation notes/Design In documents online on the download page at phoenixcontact.com/products must be observed for this product. |

Panel feed-through terminal block - PWO 16-UW/S - 1844390

Technical data

Standards and Regulations

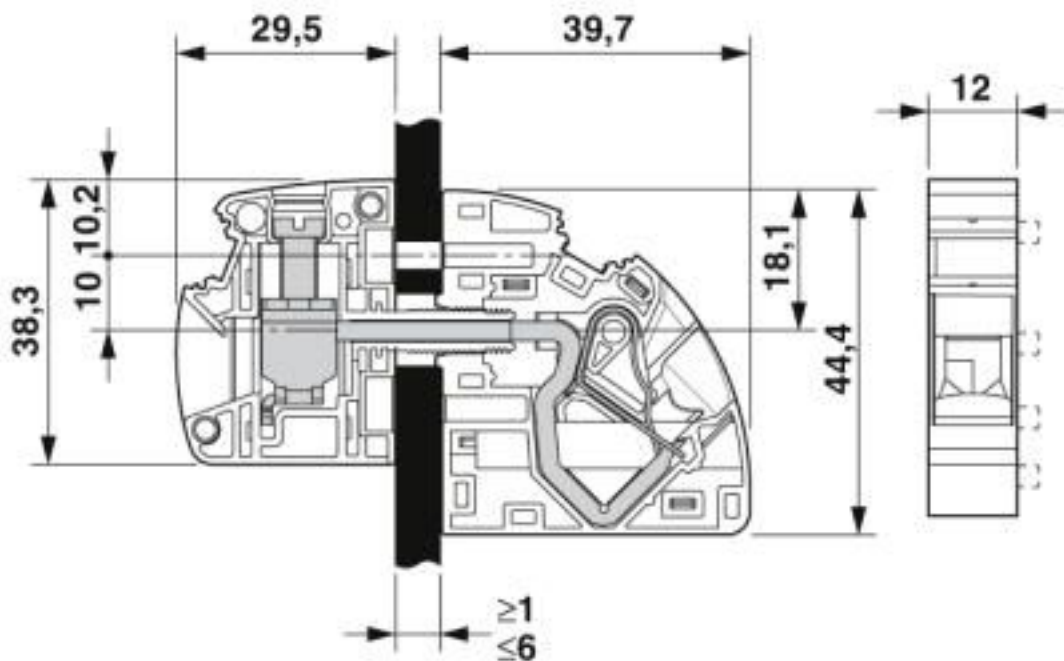
| | |
|--|--|
| | <ul style="list-style-type: none">• The cable entry funnel is not safe to touch. Never connect or disconnect the terminal when it is energized. Take appropriate steps to ensure touch protection. |
|--|--|

Environmental Product Compliance

| | |
|------------|---|
| China RoHS | Environmentally friendly use period: unlimited = EFUP-e |
| | No hazardous substances above threshold values |

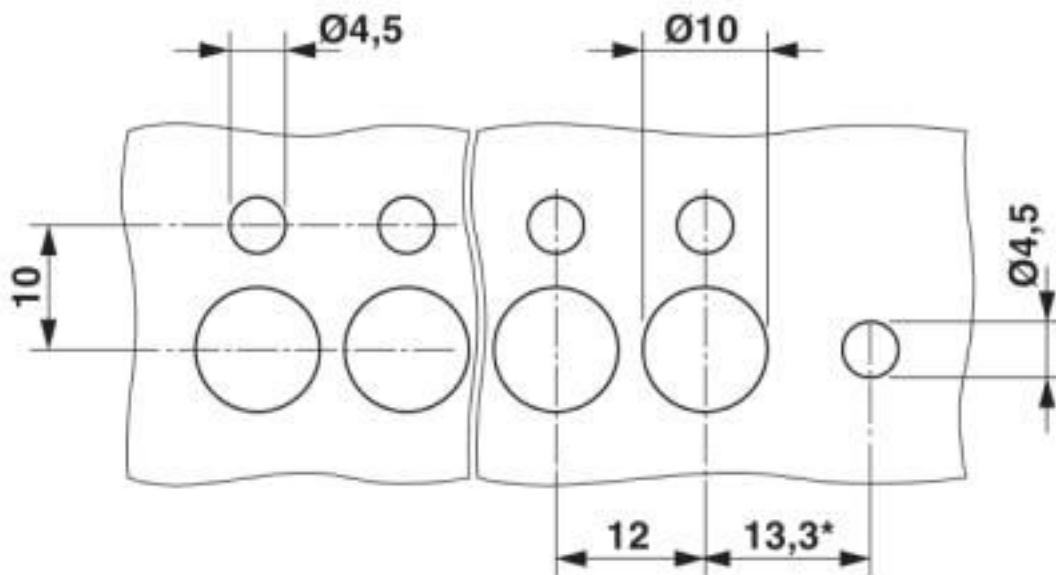
Drawings

Dimensional drawing



Panel feed-through terminal block - PWO 16-UW/S - 1844390

Dimensional drawing



*Only when using the PWO 16-F flange plate

Classifications

eCl@ss

| | |
|---------------|----------|
| eCl@ss 10.0.1 | 27141134 |
| eCl@ss 4.0 | 27141100 |
| eCl@ss 4.1 | 27141100 |
| eCl@ss 5.0 | 27141100 |
| eCl@ss 5.1 | 27141100 |
| eCl@ss 6.0 | 27141100 |
| eCl@ss 7.0 | 27141134 |
| eCl@ss 8.0 | 27141134 |
| eCl@ss 9.0 | 27141134 |

ETIM

| | |
|----------|----------|
| ETIM 3.0 | EC001283 |
| ETIM 4.0 | EC001283 |
| ETIM 5.0 | EC001283 |
| ETIM 6.0 | EC001283 |
| ETIM 7.0 | EC001283 |

UNSPSC

| | |
|---------------|----------|
| UNSPSC 6.01 | 30211811 |
| UNSPSC 7.0901 | 39121410 |
| UNSPSC 11 | 39121410 |
| UNSPSC 12.01 | 39121410 |

Panel feed-through terminal block - PWO 16-UW/S - 1844390

Classifications

UNSPSC

| | |
|-------------|----------|
| UNSPSC 13.2 | 39121410 |
| UNSPSC 18.0 | 39121410 |
| UNSPSC 19.0 | 39121410 |
| UNSPSC 20.0 | 39121410 |
| UNSPSC 21.0 | 39121410 |

Approvals


Approvals


Approvals


CSA / EAC / cULus Recognized

Ex Approvals

Approval details

| | | | |
|----------------------------|---|---|----------------|
| CSA |  | http://www.csagroup.org/services-industries/product-listing/ | 2618381-158887 |
| | B | C | |
| Nominal voltage UN | 600 V | 600 V | |
| Nominal current IN | 66 A | 66 A | |
| mm ² /AWG/kcmil | 14-4 | 14-4 | |

| | | | |
|-----|---|--|---------|
| EAC |  | | B.01687 |
|-----|---|--|---------|

| | | | |
|----------------------------|---|---|-----------------|
| cULus Recognized |  | http://database.ul.com/cgi-bin/XYV/template/LISEXT/1FRAME/index.htm | E60425-20100423 |
| | B | C | |
| Nominal voltage UN | 600 V | 600 V | |
| Nominal current IN | 66 A | 66 A | |
| mm ² /AWG/kcmil | 14-4 | 14-4 | |

Accessories

Accessories

Filler plug

Panel feed-through terminal block - PWO 16-UW/S - 1844390

Accessories

Blind rivet - RVT-AL/ST 3/12 - 3240507



Blind rivets, Ø 3.0 mm, 12 mm sleeve length, aluminum sleeve, zinc-plated steel pin, flat head, standard version similar to DIN 7337 A, also for UW/RW/PW 10 and 16

Panel feed-through terminal block

Flange cover - PWO 16-F - 1705659



Mounting flange, for mounting directly on the wall

Screwdriver tools

Screwdriver - SZF 2-0,8X4,0 - 1204520



Actuation tool, for ST terminal blocks, also suitable for use as a bladed screwdriver, size: 0.8 x 4.0 x 100 mm, 2-component grip, with non-slip grip

Screwdriver - SZS 1,0X4,0 VDE - 1205066



Screwdriver, slot-headed, VDE insulated, size: 1.0 x 4.0 x 100 mm, 2-component grip, with non-slip grip

Terminal marking

Zack marker strip - ZB 12:UNPRINTED - 0812120



Zack marker strip, Strip, white, unlabeled, can be labeled with: PLOTMARK, CMS-P1-PLOTTER, mounting type: snap into tall marker groove, for terminal block width: 12.2 mm, lettering field size: 12 x 10.5 mm, Number of individual labels: 5

Panel feed-through terminal block - PWO 16-UW/S - 1844390

Accessories

Zack Marker strip, flat - ZBF 12:UNBEDRUCKT - 0809735



Zack Marker strip, flat, Strip, white, unlabeled, can be labeled with: PLOTMARK, CMS-P1-PLOTTER, mounting type: snap into flat marker groove, for terminal block width: 12 mm, lettering field size: 5.15 x 12.15 mm, Number of individual labels: 5

Phoenix Contact 2020 © - all rights reserved
<http://www.phoenixcontact.com>

PHOENIX CONTACT GmbH & Co. KG
Flachsmarktstr. 8
32825 Blomberg
Germany
Tel. +49 5235 300
Fax +49 5235 3 41200
<http://www.phoenixcontact.com>

Mouser Electronics

Authorized Distributor

Click to View Pricing, Inventory, Delivery & Lifecycle Information:

[Phoenix Contact:](#)

[1844390](#)