

Patch panels - FL CAT5 TERMINAL BOX - 2744610

Please be informed that the data shown in this PDF Document is generated from our Online Catalog. Please find the complete data in the user's documentation. Our General Terms of Use for Downloads are valid (<http://phoenixcontact.com/download>)



Patch panel, one RJ45 socket to 4 screw connection terminal blocks (assignment 1, 2, 3, 6), CAT5e, 10/100 Mbps, DIN rail mounting, IP20, shield contacting on DIN rail

Product Features

- Safe shield connection to ground potential
- Mounting on a DIN rail
- 10/100 Mbps
- CAT5e



Key Commercial Data

| | |
|--------------------------------------|----------|
| Packing unit | 1 pc |
| Weight per Piece (excluding packing) | 67.4 g |
| Custom tariff number | 85369010 |
| Country of origin | Germany |

Technical data

Dimensions

| | |
|--------|-------|
| Width | 25 mm |
| Height | 90 mm |
| Depth | 52 mm |

Ambient conditions

| | |
|---|--------------------------------|
| Ambient temperature (operation) | -25 °C ... 70 °C |
| Ambient temperature (storage/transport) | -25 °C ... 85 °C |
| Permissible humidity (operation) | 25 % ... 95 % (non-condensing) |
| Degree of protection | IP20 |

General

| | |
|------------|---------|
| Net weight | 53.06 g |
|------------|---------|

Patch panels - FL CAT5 TERMINAL BOX - 2744610

Technical data

General

| | |
|------------------|---|
| Housing material | PVC / PA |
| Color | green |
| MTBF | 6702 Years (Telcordia standard, 25°C temperature, 21% operating cycle (5 days a week, 8 hours a day)) |
| | 2962 Years (Telcordia standard, 40°C temperature, 34.25% operating cycle (5 days a week, 12 hours a day)) |

Power supply

| | |
|-----------------------------|-------|
| Typical current consumption | < 1 A |
|-----------------------------|-------|

Serial interface

| | |
|---------------------------------------|--|
| Interface 1 | Ethernet interface, 10/100BASE-T(X) in acc. with IEEE 802.3u |
| Connection method | Screw connection |
| Transmission length | 100 m (including patch cables) |
| Conductor cross section solid min. | 0.14 mm ² |
| Conductor cross section solid max. | 1.5 mm ² |
| Conductor cross section flexible min. | 0.14 mm ² |
| Conductor cross section flexible max. | 1 mm ² |
| Conductor cross section AWG min. | 26 |
| Conductor cross section AWG max. | 16 |
| Torque | 0.22 Nm ... 0.25 Nm |
| Pin assignment | 1:1 |
| Serial transmission speed | 10/100 Mbps |
| Interface 2 | Ethernet interface, 10/100BASE-T(X) in acc. with IEEE 802.3u |
| Connection method | RJ45 CAT5e |

Standards and Regulations

| | |
|--------------|--|
| Type of test | Vibration resistance in acc. with EN 60068-2-6/IEC 60068-2-6 |
| Test result | 5g, 10-150 Hz, 2.5 h, in XYZ direction |
| Type of test | Shock in acc. with EN 60068-2-27/IEC 60068-2-27 |
| Test result | 25g, 11 ms period, half-sine shock pulse |

Classifications

eCl@ss

| | |
|------------|----------|
| eCl@ss 4.0 | 27230207 |
| eCl@ss 4.1 | 27230207 |
| eCl@ss 5.0 | 27230207 |
| eCl@ss 5.1 | 27230207 |

Patch panels - FL CAT5 TERMINAL BOX - 2744610

Classifications

eCl@ss

| | |
|------------|----------|
| eCl@ss 6.0 | 27230207 |
| eCl@ss 7.0 | 27230207 |
| eCl@ss 8.0 | 19170112 |

ETIM

| | |
|----------|----------|
| ETIM 2.0 | EC001423 |
| ETIM 3.0 | EC001423 |
| ETIM 4.0 | EC001423 |
| ETIM 5.0 | EC001128 |

UNSPSC

| | |
|---------------|----------|
| UNSPSC 6.01 | 30211506 |
| UNSPSC 7.0901 | 39121008 |
| UNSPSC 11 | 39121008 |
| UNSPSC 12.01 | 39121008 |
| UNSPSC 13.2 | 39121008 |

Approvals

Approvals

Approvals

DNV / EAC

Ex Approvals

Approvals submitted

Approval details

| |
|-----|
| DNV |
|-----|

| |
|-----|
| EAC |
|-----|

Patch panels - FL CAT5 TERMINAL BOX - 2744610

Accessories

Accessories

Data cable by the meter

Cable - FL CAT5 HEAVY - 2744814



CAT5-SF/UTP cable (J-02YS(ST)C HP 2 x 2 x 24 AWG), heavy-duty installation cable, 2 x 2 x 0.22 mm², solid conductor, shielded, outer sheath: 7.8 mm diameter, inner sheath: 5.75 mm ± 0.15 mm diameter

Network cable - FL CAT5 FLEX - 2744830



CAT5-SF/UTP cable (J-LI02YS(ST)C H 2 x 2 x 26 AWG), light-duty, flexible installation cable 2 x 2 x 0.14 mm², stranded, shielded, outer sheath: 5.75 mm ± 0.15 mm diameter

Data cable preassembled

Network cable - FL CAT5 HEAVY CONF/ - 2744827



CAT5-SF/UTP cable (J-02YS(ST)C HP 2 x 2 x 24 AWG), heavy-duty installation cable, 2 x 2 x 0.22 mm², solid conductor, shielded, outer sheath: 7.8 mm diameter, inner sheath: 5.75 mm ± 0.15 mm diameter, preassembled on both sides with RJ45 plug, crossover or line

Network cable - FL CAT5 FLEX CONF/ - 2744843



CAT5-SF/UTP cable (J-LI02YS(ST)C H 2 x 2 x 26 AWG), light-duty, flexible installation cable 2 x 2 x 0.14 mm², stranded, shielded, outer sheath: 5.75 mm ± 0.15 mm diameter, preassembled on both sides with RJ45 plug, crossover or line assignment

Passive isolators

Patch panels - FL CAT5 TERMINAL BOX - 2744610

Accessories

Network isolator - FL ISOLATOR 100-RJ/SC - 2313928



Passive network isolator for electrical isolation in Ethernet networks. This protects Ethernet devices from potential differences of up to 4 kV. Can be used for transmission speeds of up to 100 Mbps. Connection using RJ45 and COMBICON plug-in screw terminal block.

Network isolator - FL ISOLATOR 100-RJ/RJ - 2313931



Passive network isolator for electrical isolation in Ethernet networks. This protects Ethernet devices from potential differences of up to 4 kV. Can be used for transmission speeds of up to 100 Mbps. Possible to connect two RJ45 plugs.

Network isolator - FL ISOLATOR 1000-RJ/RJ - 2313915



Passive network isolator for electrical isolation in Ethernet networks. This protects Ethernet devices from potential differences of up to 4 kV. Can be used for transmission speeds of up to 1 Gbps. Possible to connect two RJ45 plugs.

Patch cable

Patch cable - FL CAT5 PATCH 0,3 - 2832250



Patch cable, CAT5, assembled, 0.3 m

Patch cable - FL CAT5 PATCH 0,5 - 2832263



Patch cable, CAT5, assembled, 0.5 m

Patch panels - FL CAT5 TERMINAL BOX - 2744610

Accessories

Patch cable - FL CAT5 PATCH 1,0 - 2832276



Patch cable, CAT5, assembled, 1.0 m

Patch cable - FL CAT5 PATCH 1,5 - 2832221



Patch cable, CAT5, assembled, 1.5 m

Patch cable - FL CAT5 PATCH 2,0 - 2832289



Patch cable, CAT5, assembled, 2.0 m

Patch cable - FL CAT5 PATCH 3,0 - 2832292



Patch cable, CAT5, assembled, 3.0 m

Screwdriver tools

Screwdriver - SZF 0-0,4X2,5 - 1204504



Actuation tool, for ST terminal blocks, also suitable for use as a bladed screwdriver, size: 0.4 x 2.5 x 75 mm, 2-component grip, with non-slip grip

Patch panels - FL CAT5 TERMINAL BOX - 2744610

Accessories

Universal tools

Assembly tool - FL CRIMPTOOL - 2744869



Crimping pliers, for assembling the RJ45 plugs FL PLUG RJ45..., for assembly on site

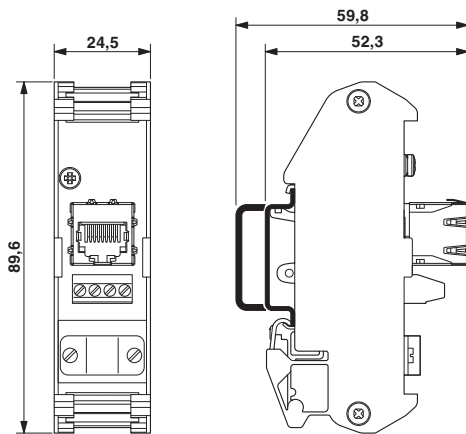
Stripping tool - VS-CABLE-STRIP-VARIO - 1657407



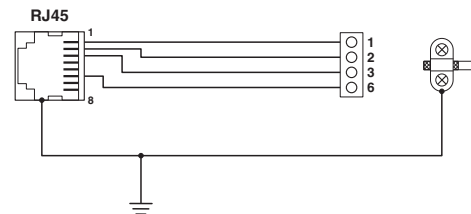
Stripping tool, for the multi-level stripping of shielded cables

Drawings

Dimensional drawing



Circuit diagram



Mouser Electronics

Authorized Distributor

Click to View Pricing, Inventory, Delivery & Lifecycle Information:

[Phoenix Contact:](#)

[2744610](#)