

Electronic housing - UEG 30/1 - 2790871

Please be informed that the data shown in this PDF Document is generated from our Online Catalog. Please find the complete data in the user's documentation. Our General Terms of Use for Downloads are valid (<http://phoenixcontact.com/download>)



Electronic housing, for PCB insertion, fully equipped with 4 screw or tab connections per side

Your advantages

- ✓ Universal P1-UEG... PCBs are available for laboratory samples and small series
- ✓ Cost-effective series production, since the base element and the assembled PCB are soldered by machine
- ✓ Efficient assembly thanks to overlapping housing parts
- ✓ Can be snapped onto standard NS 35/7,5 and NS 35/15 DIN rails
- ✓ Up to 16 connections on two levels
- ✓ Installation of one or two PCBs in the housing

Key Commercial Data

| | |
|------------------------|---------------|
| Packing unit | 10 pc |
| Minimum order quantity | 10 pc |
| GTIN | |
| GTIN | 4017918072360 |

Technical data

General

| | |
|------------------|--------------------|
| Housing type | Complete housing |
| Housing material | Polyamide (PA 6.6) |
| Color (RAL) | green |

Ambient conditions

| | |
|---------------------------------|-------------------|
| Ambient temperature (operation) | -40 °C ... 105 °C |
|---------------------------------|-------------------|

Dimensions

| | |
|--------|---------|
| Length | 79.5 mm |
| Height | 70 mm |
| Width | 30 mm |

Electronic housing - UEG 30/1 - 2790871

Technical data

Dimensions

| | |
|-------|---------|
| Pitch | 5 mm |
| Depth | 79.5 mm |

Technical data

| | |
|----------------------------------|-------|
| Power dissipation without gap | 4 W |
| Power dissipation with 20 mm gap | 7.2 W |
| Number of positions | 8 |

Connection data

| | |
|---------------------------------------|---------------------|
| Conductor cross section solid min. | 0.2 mm ² |
| Conductor cross section solid max. | 4 mm ² |
| Conductor cross section flexible min. | 0.2 mm ² |
| Conductor cross section flexible max. | 2.5 mm ² |
| Conductor cross section AWG min. | 24 |
| Conductor cross section AWG max. | 12 |
| Stripping length | 8 mm |

Standards and Regulations

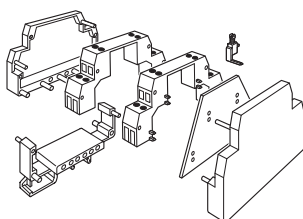
| | |
|--|----|
| Flammability rating according to UL 94 | V2 |
|--|----|

Environmental Product Compliance

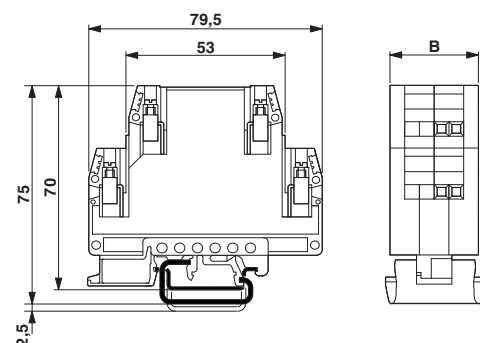
| | |
|------------|---|
| REACH SVHC | Lead 7439-92-1 |
| China RoHS | Environmentally Friendly Use Period = 50 |
| | For details about hazardous substances go to tab "Downloads", Category "Manufacturer's declaration" |

Drawings

Explosion drawing

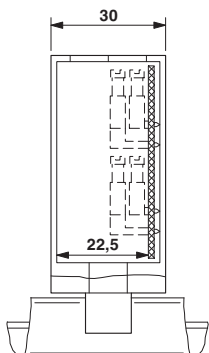


Dimensional drawing

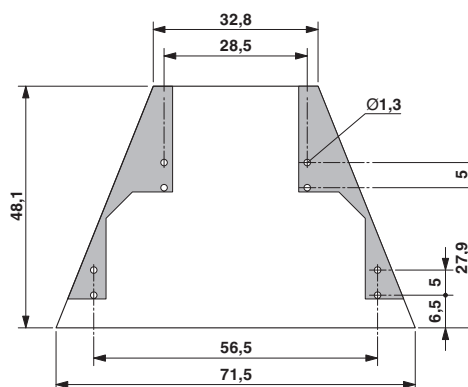


Electronic housing - UEG 30/1 - 2790871

Dimensional drawing

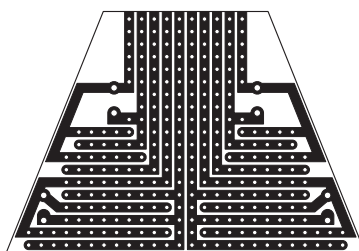


Dimensional drawing



UEG 30/1, enlarged internal area, with 1 PCB, up to max. 8 positions

Schematic diagram



Approvals

Approvals

Approvals

UL Recognized / EAC / cULus Recognized

Ex Approvals


Approval details

| | | | |
|---------------|--|---|---------------|
| UL Recognized | | http://database.ul.com/cgi-bin/XYV/template/LISEXT/1FRAME/index.htm | FILE E 240868 |
|---------------|--|---|---------------|

| | | |
|-----|--|---------|
| EAC | | B.01742 |
|-----|--|---------|

Electronic housing - UEG 30/1 - 2790871

Approvals

| | | | |
|----------------------------|---|---|-----------------|
| cULus Recognized |  | http://database.ul.com/cgi-bin/XYV/template/LISEXT/1FRAME/index.htm | E60425-19770427 |
| | D | B | |
| Nominal voltage UN | 300 V | 300 V | |
| Nominal current IN | 10 A | 10 A | |
| mm ² /AWG/kcmil | 30-12 | 30-12 | |

Phoenix Contact 2018 © - all rights reserved
<http://www.phoenixcontact.com>

PHOENIX CONTACT GmbH & Co. KG
Flachsmarktstr. 8
32825 Blomberg
Germany
Tel. +49 5235 300
Fax +49 5235 3 41200
<http://www.phoenixcontact.com>

Mouser Electronics

Authorized Distributor

Click to View Pricing, Inventory, Delivery & Lifecycle Information:

[Phoenix Contact:](#)

[2790871](#)