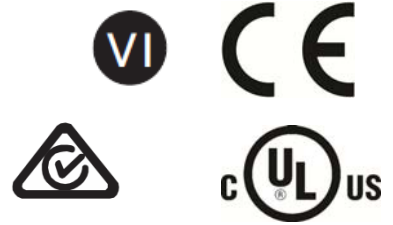




## 12 Watt Interchangeable Plug Series PSAC12R Series meets Level VI Efficiency Requirements



### Features

- Double Insulated
- Class B EMI
- Limited Power Source (LPS)
- Level VI Efficiency Compliant
- EISA Compliant

### Applications

- Wireless Communications
- Network Equipment
- Peripherals
- Gaming

### Safety Approvals

- cUL/UL
- CB

### Mechanical Characteristics

- Length: 71.6mm (2.82in)
- Width: 50mm (1.97in)
- Height: 31mm (1.22in)
- Weight: 151g (5.32oz)

### Output Specifications

Model	DC Output Voltage	Load		Ripple <sup>(1)</sup> P-P (max.)	Efficiency Level
		Min.	Max.		
PSAC12R-050	5V	0A	2.4A	100mV	VI
PSAC12R-060	6V	0A	2.0A	100mV	VI
PSAC12R-075	7.5V	0A	1.6A	100mV	VI
PSAC12R-090	9V	0A	1.33A	180mV	VI
PSAC12R-120	12V	0A	1.0A	120mV	VI
PSAC12R-150	15V	0A	0.8A	150mV	VI
PSAC12R-240	24V	0A	0.5A	240mV	VI
PSAC12R-480	48V	0A	0.25A	480mV	VI

Note (1): Ripple measured by using a 12-inch twisted pair terminated with 10uF capacitor and 0.1uF ceramic in parallel with oscilloscope set to 20Mhz measured after a warm-up of 10minutes.

Phihong is not responsible for any error, and reserves the right to make changes without notice. Please visit our website at [www.phihong.com](http://www.phihong.com) for the most up-to-date specifications and contact information.

**AC Input**

**Input Voltage Rating**

100 to 240VAC

**AC Input Voltage Range**

90 to 264VAC

**AC Input Current**

0.5A (RMS), 120VAC at maximum load  
0.25A (RMS), 230VAC at maximum load

**AC Input Frequency**

47 to 63Hz

**In-rush Current**

<30A for 120VAC at maximum load  
<60A for 230VAC at maximum load  
(cold start at ambient 25°C)

**Leakage Current**

0.25mA maximum

**DC Output**

Output Power  
12W

**Efficiency**

US DoE Level VI  
EU CoC Ver5 Tier1

**No Load Power Consumption**

100mW max @ 115V

**Hold up time**

10 mS minimum at maximum load, 120VAC

**Environmental Temperature**

Operation                      0°C to +40°C  
Non-operation                -40°C to +85°C  
Humidity                        20 to 90%

**EMI**

FCC class B, EN55022 Class B

**Immunity**

EN61000-4-2  
EN61000-4-3  
EN61000-4-4  
EN61000-4-5     Level 3  
EN61000-4-6  
EN61000-4-11

**Isolation (HI-POT test)**

Input to Output: 3000VAC for 1 minute, 10mA

**Insulation Resistance**

Input to Output: 500VDC 500M Ohm minimum

**Over Current Protection**

Short Circuit Auto-restart

**Short Circuit Protection**

Output can be shorted without damage

**Over Voltage Protection**

By Zener clamping if voltage exceeds 120% of limit

**Dielectric Withstand (Hi-pot) Test**

Primary to Secondary: 3000V AC for 1 min., 10mA

**DC Cord**

1500mm (18~24AWG)

**DC Output Connector (Tuning Fork Type)**

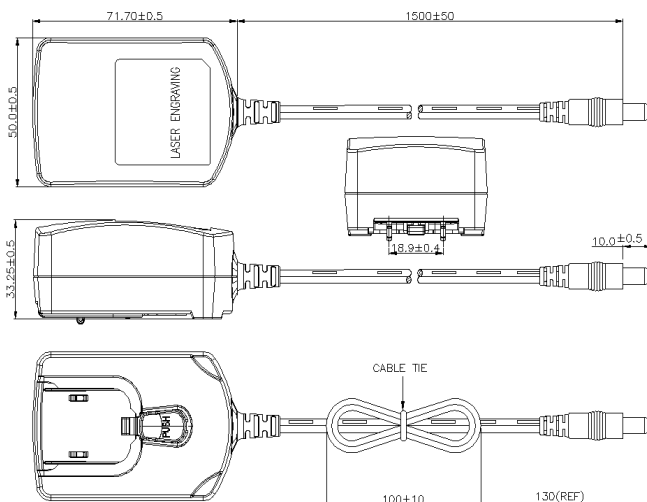
5.5mm x 2.1mm x 10mm Center Positive

**Interchangeable AC Clips**

RPA: US	RPK: UK
RPB: Brazil	RPI: India
RPC: China	RPN: Argentina
RPE: Europe	RPS: Australia
RPH: Korea	RPX: IEC320 C8

(Sold Separately)

**Dimension Diagram Unit:mm**



# Mouser Electronics

Authorized Distributor

Click to View Pricing, Inventory, Delivery & Lifecycle Information:

[Phihong:](#)

[PSAC12R-050](#) [PSAC12R-060](#) [PSAC12R-075](#) [PSAC12R-090](#) [PSAC12R-120](#) [PSAC12R-150](#) [PSAC12R-240](#)  
[PSAC12R-480](#)