



## 60W Power over Ethernet Splitter POE60 Ultra PoE Gigabit Splitter



Designed to work with  
POE75U-1UP Single port



### Features

- Proprietary Detection, Disconnect and Overload Protection per IEEE802.3af
- Gigabit Compatible
- Non-Vented Case
- Designed to Work with POE75U Single Port Injector or better
- Diagnostic LEDs
- 1 Year Warranty

### Applications

- WiMAX Access Point
- Last Mile Wireless
- Computer Workstation
- Multi Radio Access Points

### Safety Approvals

- CE

### Mechanical Characteristics

- Length: 100mm (3.94in)
- Width: 56mm (2.25in)
- Height: 27.9mm (1.09in)
- Weight: 142g (5.0oz)

### Output Specifications

Model	DC Output Voltage	Output Current
POE60D-560(G)-R	50-57V 52V min when used with POE75U-1UP	1.1A

Phihong is not responsible for any error, and reserves the right to make changes without notice. Please visit our website at [www.phihong.com](http://www.phihong.com) for the most up-to-date specifications and contact information.

**INPUT:**

**Input Voltage Range**

Receives power from either data and spare pairs. 50 to 57Vdc

**Input Current**

1.4A (DC) max.

**OUTPUT:**

**Regulation**

Unregulated

**Power**

60W for 55-57VDC input range  
55W for 50VDC input range

**Efficiency**

98% (typical) at maximum load 53Vinput

**Short Circuit Protection**

Output can be shorted permanently without damage

**ENVIRONMENTAL:**

**Temperature**

Operation 0 to +40°C  
Non-operation -20 to +65°C  
Humidity 5 to 90%

**Immunity**

ESD: EN61000-4-2. Level 3  
RS: EN61000-4-3. Level 2  
CS: EN61000-4-6. Level 2

**EMC**

Complies with FCC Class B  
Complies with EN55032 Class B

**Isolation Test**

The splitter output is non-isolated from incoming PoE voltages

**Indicators**

GREEN LED – Output Good

**Cable**

Designed to operate up to 100 meters per IEEE 802.3, CAT 5e or CAT6

**Input and Output Data Connector**

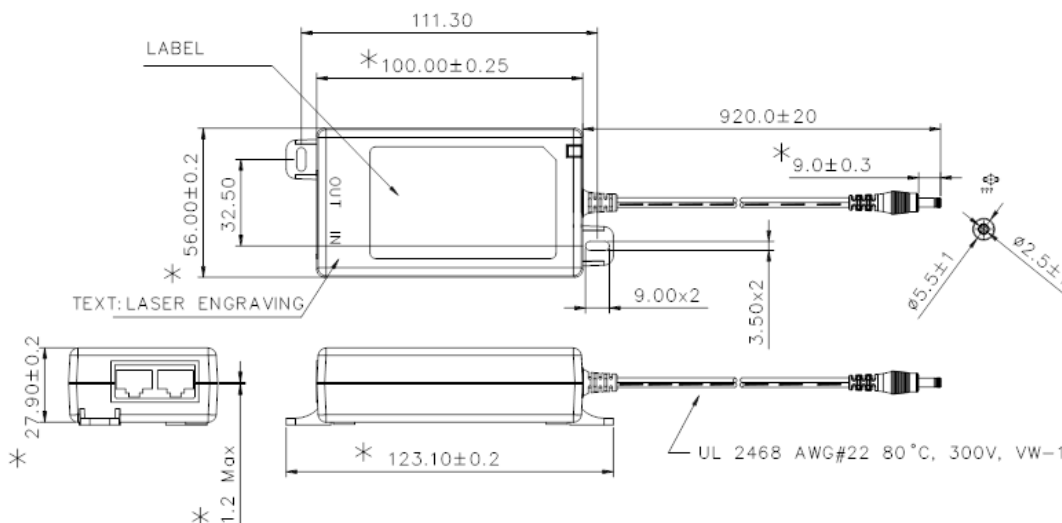
RJ45

**Output Connector**

Center Positive Barrel 9mm x 2.5mm ID x 5.5mm OD  
Tip is user changeable for other sizes



**Dimension Diagram Unit: mm**



**Supplier's Declaration of Conformity**  
**47 CFR § 2.1077 Compliance Information**

Phihong USA Corporation  
47800 Fremont Boulevard  
Fremont, CA 94538  
Telephone: (510) 445-0100  
[www.phihong.com](http://www.phihong.com)

NOTE: This model has/The models in this products series have been tested and found to comply with the limits for a Class B digital device, pursuant to part 15 of the FCC Rules. These limits are designed to provide reasonable protection against harmful interference in a residential installation. This equipment generates, uses and can radiate radio frequency energy and, if not installed and used in accordance with the instructions, may cause harmful interference to radio communications. However, there is no guarantee that interference will not occur in a particular installation. If this equipment does cause harmful interference to radio or television reception, which can be determined by turning the equipment off and on, the user is encouraged to try to correct the interference by one or more of the following measures:

- Reorient or relocate the receiving antenna.
- Increase the separation between the equipment and receiver.
- Connect the equipment into an outlet on a circuit different from that to which the receiver is connected.
- Consult the dealer or an experienced radio/TV technician for help.

Changes or modifications to equipment not expressly approved by PHIHONG could void the user's authority to operate the equipment.

# Mouser Electronics

Authorized Distributor

Click to View Pricing, Inventory, Delivery & Lifecycle Information:

[Phihong:](#)

[POE60D-560G-R](#)