

THIS COPY IS PROVIDED ON A RESTRICTED BASIS AND IS NOT TO BE USED IN ANY WAY DETRIMENTAL TO THE INTERESTS OF PANDUIT CORP.

PART NUMBER	MARKER SIZE		LEGEND				MATERIAL
	LENGTH DIM. "A"	WIDTH	HEADER	HEADER COLOR	MESSAGE	MESS. COLOR	
PLD-3	1.5 (.38.1)	1.0 (.25.4)	CALLIBRATION	WHITE/GREEN	BY _____ DATE _____ DUE _____	GREEN/WHITE	A
PLD-4	1.5 (.38.1)	1.0 (.25.4)	ACCEPTED	WHITE/GREEN	BY _____ DATE _____	GREEN/WHITE	A
PLD-7	1.5 (.38.1)	1.0 (.25.4)	TESTED	WHITE/GREEN	DATE _____ BY _____	GREEN/WHITE	A
PLD-11	1.5 (.38.1)	1.0 (.25.4)	DO NOT USE	WHITE/RED	AFTER _____	RED/WHITE	A
PLD-12	1.5 (.38.1)	1.0 (.25.4)	CIRCUIT NO.	WHITE/ORANGE	LOCATION _____	ORANGE/WHITE	A
PLD-17	1.5 (.38.1)	1.0 (.25.4)	NONE	NONE	BLANK - WHITE BACKGROUND	NONE	A
PLD-18	1.5 (.38.1)	1.0 (.25.4)	NONE	NONE	BLANK - YELLOW BACKGROUND	NONE	A
PLD-22	1.5 (.38.1)	1.0 (.25.4)	CALLIBRATION	WHITE/BLACK	BY _____ DATE _____ DUE _____	BLACK/WHITE	A
PLD-28	1.5 (.38.1)	1.0 (.25.4)	INSPECTED	WHITE/BLACK	DATE _____ INITIALS _____	BLACK/WHITE	A
PLD-29	1.5 (.38.1)	1.0 (.25.4)	NONE	NONE	MAINTENANCE BY _____ DATE _____	BLACK/WHITE	A
PLD-30	1.5 (.38.1)	1.0 (.25.4)	CAUTION	YELLOW/BLACK	BLANK - YELLOW BACKGROUND	NONE	A
PLD-36	1.5 (.38.1)	1.0 (.25.4)	CAUTION	YELLOW/BLACK	120V	BLACK/YELLOW	B
PLD-37	1.5 (.38.1)	1.0 (.25.4)	CAUTION	YELLOW/BLACK	220V	BLACK/YELLOW	B
PLD-38	1.5 (.38.1)	1.0 (.25.4)	CAUTION	YELLOW/BLACK	240V	BLACK/YELLOW	B
PLD-43	1.5 (.38.1)	1.0 (.25.4)	DANGER	WHITE-RED/BLACK	HIGH VOLTAGE	BLACK/WHITE	B



ITEM NO.	MATERIAL
A	GMYOL
B	GMYOL
C	GMY4-W

NOTES:
 1. MILLIMETER ARE IN [].
 2. LENGTH 309"-312".

1 of 2

										CAD FILENAME/LAYERS		100619KR-DC-C10689/18B			
										PANDUIT CORP. TINLEY PARK, ILLINOIS					
										PLD CUSTOMER DRAWING					
										UNLESS OTHERWISE SPECIFIED, DIMENSIONAL TOLERANCES ARE: (.X) ± .075 (.XXX) ± .020 (.XX) ± .050 ANGLES ± 5°		UNLESS OTHERWISE SPECIFIED, ALL DIMENSIONS ARE GIVEN IN INCHES, THIRD ANGLE PROJECTION.			
1	9/14/10	RVU		PDL-56, MATERIAL COLUMN, 'C' WAS 'B'.			6139	R			DRAWN BY	RVU	MAT'L:	SCALE	NTS
0	4/7/08	RVU		DRAWING RELEASE.			5387	R			DATE	4/7/08	SEE TABLE 1.	DRAWING NO.	C10689
REV	DATE	BY	CHK	DESCRIPTION			ECN	R	CUST	SUP	CHK'D			DWG SIZE	A

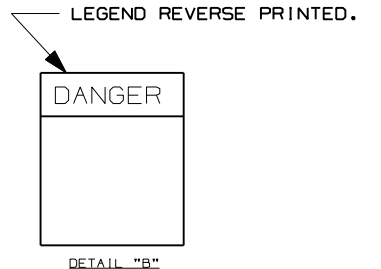
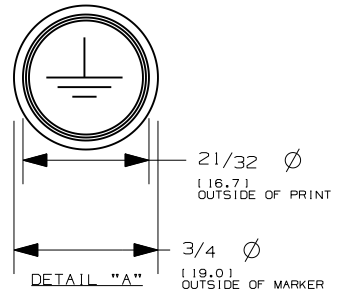
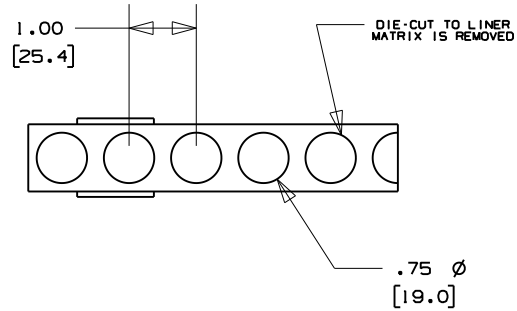
THIS COPY IS PROVIDED ON A RESTRICTED BASIS AND IS NOT TO BE USED IN ANY WAY DETRIMENTAL TO THE INTERESTS OF PANDUIT CORP.

PART NUMBER	MARKER SIZE		LEGEND				MATERIAL
	LENGTH	WIDTH	HEADER	HEADER COLOR	MESSAGE	MESS. COLOR	
PLD-45	1.5 [38.1]	1.0 [25.4]	CAUTION	YELLOW/BLACK	230 V	BLACK/YELLOW	B
PLD-46	1.5 [38.1]	1.0 [25.4]	CAUTION	YELLOW/BLACK	277 V	BLACK/YELLOW	B
PLD-47	1.5 [38.1]	1.0 [25.4]	CAUTION	YELLOW/BLACK	277/ 480 V	BLACK/YELLOW	B
PLD-52	1.5 [38.1]	1.0 [25.4]	NONE	NONE		BLACK/YELLOW	B
PLD-56	1.5 [38.1]	1.0 [25.4]	NONE	NONE		BLACK/YELLOW	C
PLD-57	.75 [19.0] CIRCLE		NONE	NONE	SEE DETAIL "A"	GREEN/WHITE	C
PLD-58	1.5 [38.1]	1.0 [25.4]	NONE	NONE	 CAUTION SENSITIVE ELECTRONIC DEVICES DO NOT SHIP OR STORE NEAR STRONG ELECTROSTATIC, ELECTROMAGNETIC, MAGNETIC OR RADIOACTIVE FIELDS.	BLACK/YELLOW	B
PLD-60	3.0 [76.2]	1.0 [25.4]	NONE	NONE	 ATTENTION OBSERVE PRECAUTIONS FOR HANDLING ELECTROSTATIC SENSITIVE DEVICES	BLACK/YELLOW	B
PLD-62	.75 [19.0] CIRCLE		NONE	NONE	NONE	RED	A
PLD-63	.75 [19.0] CIRCLE		NONE	NONE	NONE	YELLOW	A
PLD-64	.75 [19.0] CIRCLE		NONE	NONE	NONE	GREEN	A
PLD-67	1.5 [38.1]	1.0 [25.4]	DANGER	WHITE/RED	 DANGER (SEE DETAIL "B") HIGH VOLTAGE	RED/WHITE	B
PLD-68	1.5 [38.1]	1.0 [25.4]	LOCKOUT	WHITE/RED	BY DATE	RED/WHITE	A
PLD-71	2.0 [50.8]	1.0 [25.4]	NONE	NONE	WARNING FOR CONTINUED PROTECTION AGAINST FIRE, REPLACE ONLY WITH SAME TYPE AND RATING OF FUSE	WHITE/BLACK	B
PLD-72	1.5 [38.1]	1.0 [25.4]	CAUTION	YELLOW/BLACK	 LOCK OUT FOR SAFETY BEFORE YOU START	YELLOW/BLACK	B
PLD-74	1.5 [38.1]	1.0 [25.4]	CAUTION	YELLOW/BLACK	HAZARD OF ELECTRIC SHOCK MORE THAN ONE POWER SUPPLY IS REQUIRED TO DE-ENERGIZE THE EQUIPMENT	BLACK/YELLOW	B

18

PART NUMBER	MARKER SIZE		LEGEND				MATERIAL
	LENGTH	WIDTH	HEADER (2)	HEADER COLOR	MESSAGE	MESS. COLOR	
PLD-77	.75 [19.0] CIRCLE		NONE	NONE	NONE	WHITE	A
PLD-78	.75 [19.0] CIRCLE		NONE	NONE	NONE	ORANGE	A
PLD-80	1.5 [38.1]	1.0 [25.4]	NONE	NONE	INTRINSICALLY SAFE WIRING	LIGHT BLUE/WHITE	B
PLD-81	1.5 [38.1]	1.0 [25.4]	NONE	NONE	SERVICE DISCONNECT	BLACK/WHITE	B
PLD-91	1.5 [38.1]	1.0 [25.4]	CAUTION	YELLOW/BLACK	480V	BLACK/YELLOW	B

ITEM NO.	MATERIAL
A	GMYOL
B	GMYOL
C	GMY4-W



2 of 2

REV	DATE	BY	CHK	DESCRIPTION	ECN	R	CUST	SUP
I	9/14/10	RVU		PDL-56, MATERIAL COLUMN, 'C' WAS 'B'.	6139			
O	4/7/08	RVU		DRAWING RELEASE.	5387			

CAD FILENAME/LAYERS 100619KR-DC-C10689/18B

PANDUIT CORP. TINLEY PARK, ILLINOIS

PLD CUSTOMER DRAWING

UNLESS OTHERWISE SPECIFIED, DIMENSIONAL TOLERANCES ARE:
 (.X) ± .075 (.XXX) ± .020
 (.XX) ± .050 ANGLES ± 5°

UNLESS OTHERWISE SPECIFIED, ALL DIMENSIONS ARE GIVEN IN INCHES, THIRD ANGLE PROJECTION.

DRAWN BY RVU MAT'L: POLYESTER

DATE 4/7/08

SCALE NTS

CHK'D

DRAWING NO. C10689 DWG SIZE A

Mouser Electronics

Authorized Distributor

Click to View Pricing, Inventory, Delivery & Lifecycle Information:

Panduit:

[PLD-91](#) [PLD-63](#) [PLD-62](#) [PLD-64](#) [PLD-12](#) [PLD-58](#) [PLD-29](#) [PLD-18](#) [PLD-77](#) [PLD-30](#) [PLD-38](#) [PLD-74](#) [PLD-11](#)
[PLD-17](#) [PLD-72](#) [PLD-28](#) [PLD-81](#) [PLD-7](#) [PLD-46](#) [PLD-22](#) [PLD-68](#) [PLD-47](#) [PLD-78](#) [PLD-4](#)