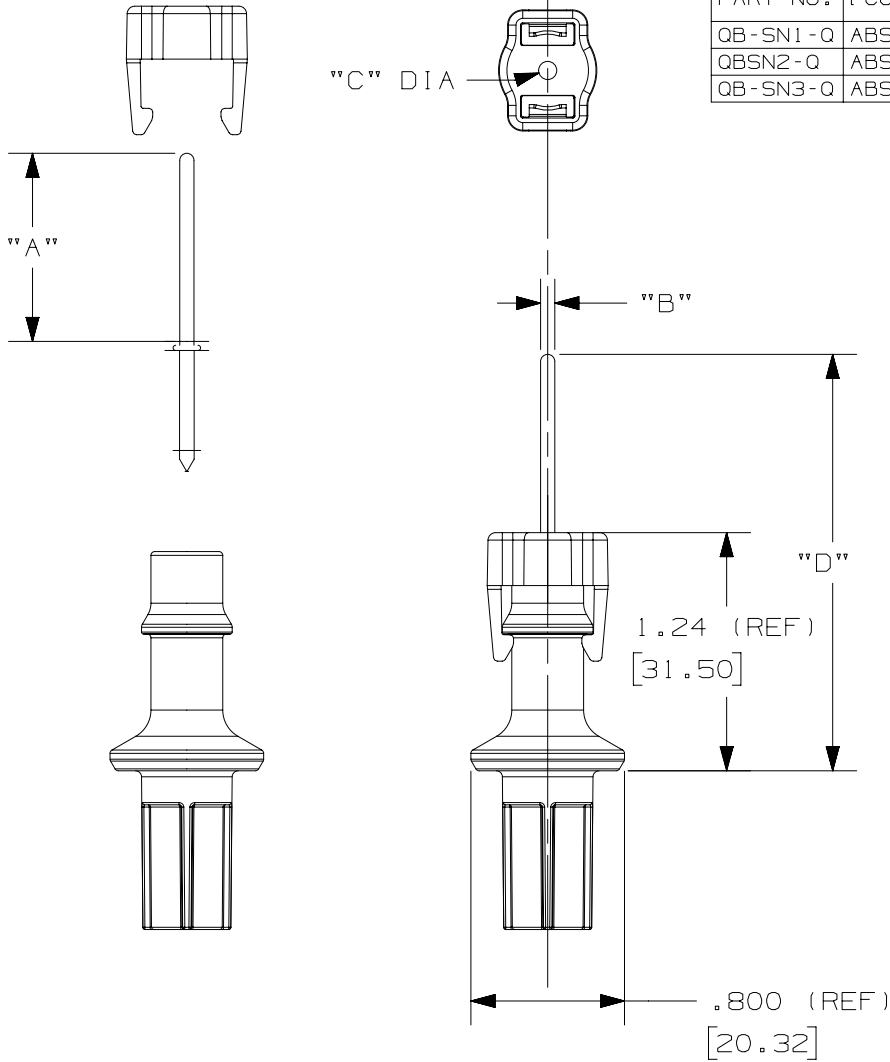


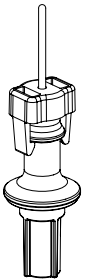
THIS COPY IS PROVIDED ON A RESTRICTED BASIS AND IS NOT TO BE USED IN ANY WAY DETRIMENTAL TO THE INTERESTS OF PANDUIT CORP.

| PANDUIT PART NO. | MATERIAL [COLOR] | NAIL PART NO. | "A" NAIL LENGTH FROM FLANGE (REF) | "B" NAIL DIAM. (REF) | "C" HOLE DIAM. (REF) | "D" OVERALL HEIGHT (REF) |
|------------------|--------------------|---------------|-----------------------------------|----------------------|----------------------|--------------------------|
| QB-SN1-Q | ABS [WHITE] | HBN1-T | 1.0 [25.4] | 0.074 [1.88] | .079 [2.007] | 2.168 [55.07] |
| QBSN2-Q | ABS [BLACK] | HBN2-T | 2.0 [50.8] | .090 [2.286] | .094 [2.388] | 3.168 [80.47] |
| QB-SN3-Q | ABS [GRAY] | HBN3-T | 3.0 [76.2] | .121 [3.073] | .128 [2.351] | 4.168 [105.87] |



NOTES:

1. DIMENSIONS IN BRACKETS [] ARE METRIC [mm]
2. PRODUCT IS DESIGNED TO BE INSERTED INTO PANDUIT PART: QB-MOUNT.
3. PRODUCT DESIGNED TO SUPPORT A MAXIMUM STATIC LOAD OF 5 LBS.
4. PRODUCT IS RATED FOR ENVIRONMENTAL CONDITIONS OF 40-100°F IN ALL HUMIDITY RANGES.
5. NAILS SOLD SEPARATELY.



SCALE 1:2

TITLE
QUICK-BUILD SINGLE NAIL BASE FOR USE WITH HBN1-T, HBN2-T, HBN3-T; 25 PER PACKAGE (QB-SN1-Q, QB-SN2-Q, QB-SN3-Q)

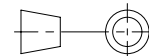
CUSTOMER DRAWING

ITEM REVISION NAME
14L203AS/01
 DATASET FILE NAME
14L203AS-DC



UNLESS OTHERWISE SPECIFIED, DIMENSIONAL TOLERANCES ARE: IN [mm]
 .x ± .1 [2.54] .xxx ± .005 [.127]
 .xx ± .01 [.25] ANGLES ± 5 °

MATERIAL:
SEE NOTES



THIRD ANGLE PROJECTION

DRAWING NUMBER:
14L203AS-DC

| 00 | 6-10-15 | ANF | DJW | MSAD | DRAWING RELEASED | GAECN03013 |
|-----|---------|-----|-----|------|------------------|------------|
| REV | DATE | BY | CHK | APR | DESCRIPTION | ECN |

| | | | | | |
|-----------------|--------------------|------------|--------------|------------|-----------|
| DRAWN BY ANF | DATE 06-10-2015 | CHK DJW | SCALE 1:1 | SHT 1 OF 1 | SIZE A |
|-----------------|--------------------|------------|--------------|------------|-----------|

Mouser Electronics

Authorized Distributor

Click to View Pricing, Inventory, Delivery & Lifecycle Information:

[Panduit:](#)

[QB-SN3-Q](#) [QB-SN1-Q](#) [QB-SN2-Q](#)