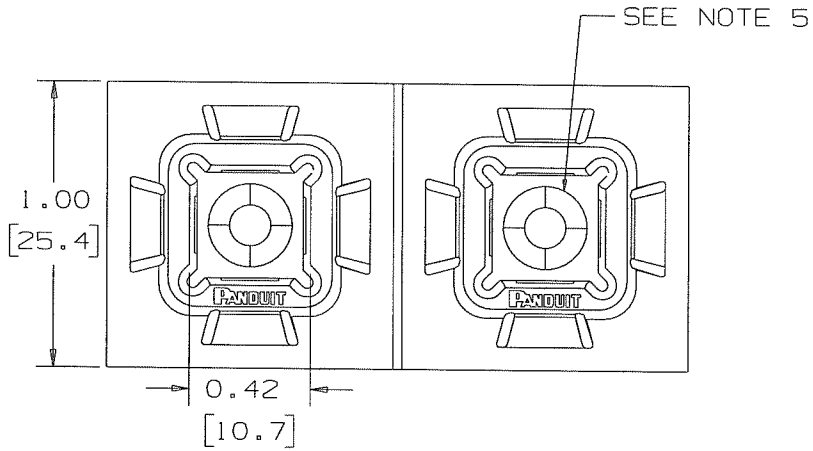
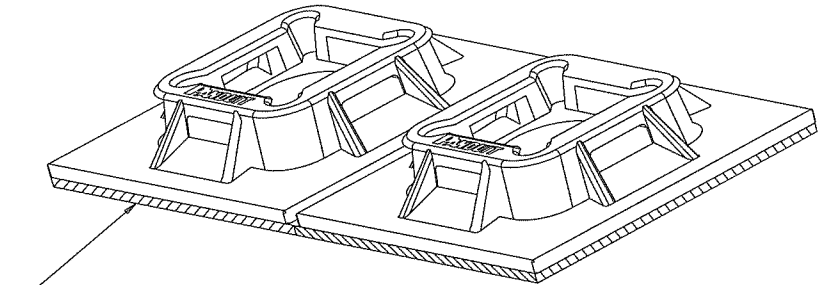


THIS COPY IS PROVIDED ON A RESTRICTED BASIS AND IS NOT TO BE USED IN ANY WAY DETRIMENTAL TO THE INTERESTS OF PANDUIT CORP.



| PANDUIT PART NUMBER* | WEIGHT lbs/100 pcs (g)/100 pcs | USE WITH ANY OF THESE CABLE TIE CROSS-SECTIONS |
|----------------------|--------------------------------------|------------------------------------------------|
| ABM100-A | 0.33 (150) | M, I, S SG100M, & SG150I |

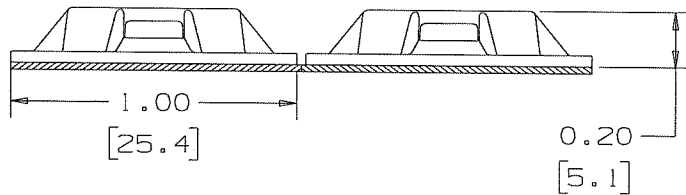


NO WARRANTY, EXPRESSED OR IMPLIED, IS MADE BY PANDUIT WITH RESPECT TO ADHESIVE BOND PERFORMANCE. AMONG OTHER THINGS, THE CONDITIONS UNDER WHICH THESE MOUNTS MAY BE APPLIED AND/OR THE SURFACE TO WHICH THEY MAY BE APPLIED ARE BEYOND PANDUIT'S CONTROL.

ADHESIVE BACKING: RUBBER BASED ADHESIVE PRESSURE SENSITIVE FOAM TAPE 0.04 [1.0] THICK WITH A PROTECTIVE LINER. MOUNT IS DESIGNED TO SUPPORT 0.50 lbs (227g) MAX. WEIGHT ON A CLEAN DRY SMOOTH SURFACE.

NOTES

1. SEE CURRENT PRICE SHEET FOR PART NUMBER SUFFIX DESIGNATION FOR PACKAGE SIZE AND COLOR.
2. THE '-A' SUFFIX REPRESENTS RUBBER ADHESIVE.
3. SUPPLIED IN STRIPS OF TWO.
4. MOUNT HAS A MAXIMUM CONTINUOUS OPERATING TEMPERATURE OF 120°F (49°C).
5. HOLE FOR STANDARD S6 FLAT HEAD SCREW.



DIMENSIONS IN BRACKETS ARE METRIC [mm]
CAD FILENAME/LAYERS G03597HJ_DC_G0033BA/06B

PANDUIT CORP. TINLEY PARK, ILLINOIS

ABM100-A
FOUR-WAY MOUNT

UNLESS OTHERWISE SPECIFIED,
DIMENSIONAL TOLERANCES ARE:
(.X) ±0.05 [1.3] (.XXX) ±0.010 [0.25]
(.XX) ±0.02 [0.5] ANGLES ± 5°

UNLESS OTHERWISE SPECIFIED,
ALL DIMENSIONS ARE GIVEN
IN INCHES, THIRD ANGLE PROJECTION.

| REV | DATE | BY | CHK | DESCRIPTION | ECN | R | CUST | SUP |
|-----|----------|------|--------------------|-------------------------------|----------|----|------------|-----|
| 6B | 12-16-08 | PSG | <i>[Signature]</i> | REVISED DIMENSIONS AND WEIGHT | GB0033BA | 6B | <i>KLN</i> | |
| 6 | 8-24-05 | TMSA | | REMOVED PART NUMBER ABM25 | GB0033BA | 6 | | |

DRAWN BY MJK
DATE 12/09/92
CHK'D *KLN*

MAT'L: NYLON 6/6

SCALE NONE
DRAWING NO. GB0033BA
DWG SIZE A

Mouser Electronics

Authorized Distributor

Click to View Pricing, Inventory, Delivery & Lifecycle Information:

[Panduit:](#)

[ABM100-A-D](#)