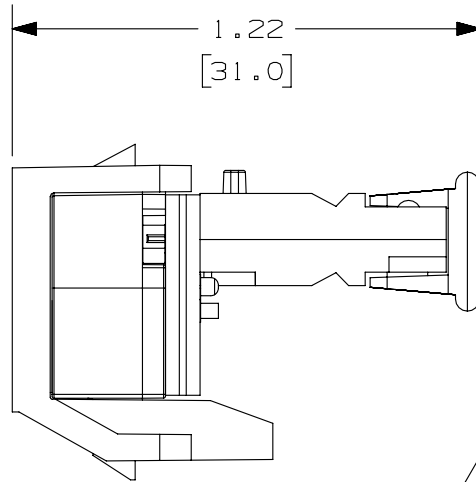
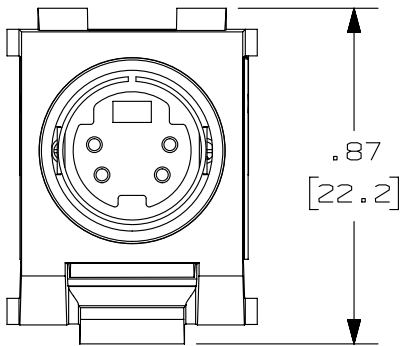
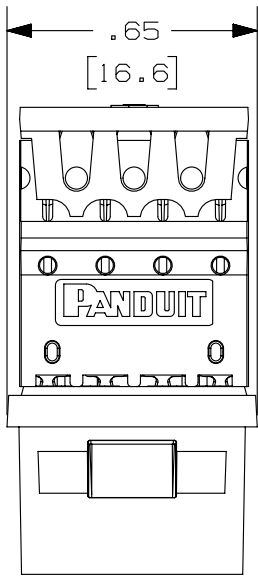
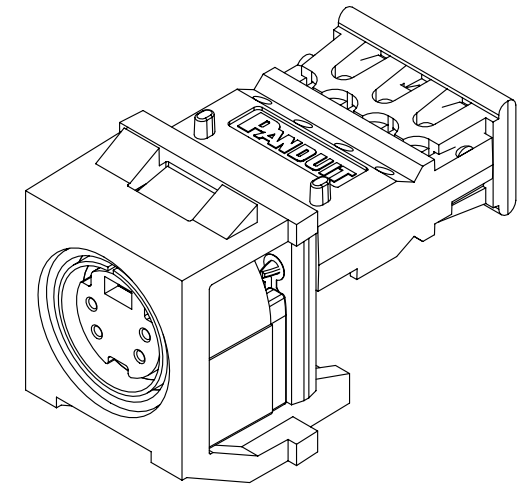


THIS COPY IS PROVIDED ON A RESTRICTED BASIS AND IS NOT TO BE USED IN ANY WAY DETRIMENTAL TO THE INTERESTS OF PANDUIT CORP.



PANDUIT P/N	WEIGHT
NKSPM**	(6.0 g/pc)

- NOTES:
 1. SEE CURRENT CATALOG FOR ADDITIONAL PART SUFFIXES TO INDICATE COLOR AND OR PACKAGE QUANTITY.
 2. DIMENSIONS IN PARENTHESIS ARE IN METRIC.



PART NUMBER		NKSPM**	
TITLE			
NETKEY S-VIDEO PUNCHDOWN MODULE			
CUSTOMER DRAWING			
ITEM REVISION NAME		D38450BC/00	
DATASET FILE NAME		D38450BC_DC02/00E	
UNLESS OTHERWISE SPECIFIED, DIMENSIONAL TOLERANCES ARE: IN [mm]		MATERIAL:	
.x ± .xxx ± .010 [.3]		ABS	
.xx ± .03 [.8]		DRAWING NUMBER:	
ANGLES ±		38450-02	
THIRD ANGLE PROJECTION		SHT 1 OF 1	
DRAWN BY	DATE	CHK	SCALE
JHEP	6-24-02	TRW	NONE
REV	DATE	BY	CHK
4	5-20-14	MDJR	REFR
APR	JCK	A. UPDATED TITLE BLOCK. REMOVED PREVIOUS REVISIONS FOR CLARITY.	
DESCRIPTION	ECN	38450-02	

D101000DA/14

2

1

2

1

Mouser Electronics

Authorized Distributor

Click to View Pricing, Inventory, Delivery & Lifecycle Information:

Panduit:

[NKSPMWH](#) [NKSPMIW](#) [NKSPMEI](#) [NKSPMIG](#)