

CT-2500/L CT-2500/LE

Operating Instructions
Betriebsanleitung



Serial Number:
Seriennummer:

Battery Crimping Tool
Akku-Handcrimpergerät

Version CT-2500/L/LE – 03/16 – REV. A

MADE IN GERMANY

Originalbetriebsanleitung

Sale / Vertrieb

Panduit Corporation
18900 Panduit Drive
Tinley Park, IL 60487

Phone: 800-777-3300
Fax: 708-532-1811

www.panduit.com

| Release Date Ausgabedatum | Version |
|------------------------------|---------|
| 01.03.2016 | REV.A |

© by Panduit Corp.

Reproduction of these instructions or parts of them in whatever form is not permitted without express written permission from the publisher.

We reserve the right to make technical changes necessary to improve the tool that could diverge from figures and information in these instructions.

Der Nachdruck dieser Anleitung auch auszugsweise, gleichgültig in welcher Form, ist ohne ausdrückliche, schriftliche Genehmigung des Herausgebers verboten.

Gegenüber Darstellung und Angaben in dieser Anleitung sind technische Änderungen, die zur Verbesserung des Geräts notwendig werden, vorbehalten.

English Version (Translation)

Table of Contents 4

Deutsche Version (Original Version)

Inhaltsverzeichnis 22

Table of Contents

| | | |
|-------|---|----|
| 1 | Introduction | 5 |
| 1.1 | Product specification | 5 |
| 1.2 | Conformity | 5 |
| 1.3 | Dealing with the operating instruction | 5 |
| 2 | Safety | 6 |
| 2.1 | Warning & Safety Precautions in this Operating Instruction | 6 |
| 2.2 | Safety Precautions | 6 |
| 2.3 | Responsibilities | 7 |
| 2.4 | Designed Use..... | 8 |
| 2.5 | Predictable Misuse..... | 8 |
| 2.6 | Hazardous Areas | 8 |
| 3 | Shipment | 8 |
| 3.1 | Packing..... | 8 |
| 3.2 | Packing Contents | 9 |
| 4 | Technical Description | 9 |
| 4.1 | Overview Battery Crimping Tool CT-2500/L or CT-2500/LE | 9 |
| 4.2 | Tool Identification | 10 |
| 4.3 | Overview Battery Charger..... | 10 |
| 4.4 | Technical Data | 10 |
| 4.5 | Operating Elements | 10 |
| 4.5.1 | Slider for Manual Retract | 10 |
| 4.5.2 | Tool Head Holding Device | 11 |
| 5 | Transport | 11 |
| 6 | Installation | 11 |
| 6.1 | Battery Charging | 11 |
| 6.2 | Battery Charge Level | 12 |
| 7 | Commissioning | 13 |
| 7.1 | Available Adapters, Tool Heads and Die Sets | 13 |
| 7.2 | Mounting a Tool Head or Adapter on the Tool..... | 14 |
| 7.3 | Turning on/off of the LED Light for Illumination of the Workplace | 16 |
| 7.3.1 | Turn on the LED..... | 16 |
| 7.3.2 | Turn off the LED..... | 16 |
| 8 | Normal Operation, Production Cycle | 17 |
| 8.1 | Crimping Process with the CT-25xxCH tool heads..... | 17 |
| 8.2 | Crimping Process with CT-2523CH tool head | 18 |
| 9 | Maintenance | 18 |
| 9.1 | Maintenance Plan | 18 |
| 9.1.1 | Daily | 19 |
| 9.1.2 | After 10.000 cycles or two years..... | 19 |
| 10 | Problem Handling / Service Light | 19 |
| 11 | Removal from Service, Demounting, Disassembly, | 21 |
| 12 | Storage | 21 |
| 13 | Disposal | 21 |

1 Introduction

1.1 Product specification

The battery crimping tool CT-2500/L or CT-2500/LE is an electric crimping tool for Panduit interchangeable crimping system.

The tool is especially developed for the industrial application. Due to the interchangeable tool heads as well as the crimp die sets of the Panduit crimp system, which can easily be adapted, a wide range of different contacts can be crimped. Adapter, tool heads and die sets can easily be exchanged without any additional tool.

The battery crimping tool CT-2500/L or CT-2500/LE incorporates an automatic retraction, which returns the ram into its starting position when the maximum force is reached. Furthermore, the tool is equipped with a special brake, which stops the forward motion of the ram/dies when the trigger is released.

The low weight, the small and handy design as well as the ergonomic 2-component housing guarantees a comfortable secure one-hand operation. To simplify operation and gain better access to tight corners and other difficult working areas, the crimping head may be rotated, by hand, 360° relative to the body.

All other applications of the battery crimping tool CT-2500/L or CT-2500/LE are only permitted with a written permission of the manufacturer. For all unauthorised applications of the battery crimping tool CT-2500/L or CT-2500/LE the manufacturer cannot be held liable for any resultant damage or injury.

1.2 Conformity



The tool may only be used for the purpose specified in the operating instruction. The manufacturers and suppliers will not be liable for any damages, which may result due to the tool being used for a purpose other than that for which it was intended. **This is done entirely at the user's own risk.**

RoHS Information

The battery crimping tool CT-2500/L or CT-2500/LE complies with the EU-Guideline 2011/65/EU (RoHS2).

CE

The battery crimping tool CT-2500/L or CT-2500/LE is CE compliant.

The original declaration of conformity was supplied together with the operating instructions of the battery crimping tool CT-2500/L or CT-2500/LE in the tool case.

1.3 Dealing with the operating instruction

The operating instruction contains all information concerning operating elements, operation, commissioning and maintenance work as well as technical data.

The operating instruction must be constantly within reach of the battery crimping tool CT-2500/L or CT-2500/LE. Every tool operator must read and understand the operating instruction in order to ensure safe and efficient production with this piece of equipment.

The manufacturer and supplier decline to accept any liability for damages that are incurred due to the fact that the instructions on the tool or in the operating instruction have been disregarded.

The user is responsible for supplementing the operating instruction with any instructions resulting from current national regulations for accident prevention and protection of the environment.

The German original version is legally binding. This operating instruction should be kept in a safe place for later use.

2 Safety

2.1 Warning & Safety Precautions in this Operating Instruction

The following warnings and safety related cautionary notices in the individual chapters alert you to various levels of danger:



DANGER

- + Identifies **dangerous voltage and live parts**, which will lead to serious injuries or even death when touching it.
-



DANGER

- + Identifies an **imminent, serious danger**, which, if it is not avoided, will lead to serious injuries or even to death.
-



CAUTION

- + Identifies a **possible danger**, which, if it is not avoided, will lead to serious injuries or even to death.
-



ATTENTION

- + Identifies a **potential dangerous situation**, which, if it is not avoided, can lead to medium or minor injuries or material damages.
-



INFORMATION

- + If this information is not followed, it can lead to a deterioration of the operating procedure.
-

2.2 Safety Precautions

The battery crimping tool CT-2500/L or CT-2500/LE has been constructed according to state-of-the-art technology and the acknowledged technical safety regulations.

When carrying out jobs such as installation, putting the tool into operation or setting it up, operation, changing the conditions of use and the mode of operation or carrying out maintenance and service jobs, it is important to observe the procedures for switching off the tool described in the operation instruction.

Please observe the national regulations according to the minimum age of the personnel operating the battery crimping tool CT-2500/L or CT-2500/LE. Allowing younger persons access to the tool is strictly prohibited.

- + Do not operate the battery crimping tool CT-2500/L or CT-2500/LE before having read and understood all operating instructions.
- + Every tool operator must have read and understood this operating instruction. The safety instructions, warnings and precautions contained in the individual chapters must be strictly observed by all users and operators when working on or with the battery crimping tool CT-2500/L or CT-2500/LE.
- + Should the user make any changes to the tool without consulting the manufacturers or the suppliers, the latter will not be liable for any damage that may result.
- + Wear suitable safety shoes when transporting the crimping tool.
- + Due to the risk of hand or finger injury, never try to reach into the battery crimping tool CT-2500/L or CT-2500/LE before having assured that the battery has been removed.
- + Before commissioning the tool, it is always important to check if a Panduit approved adapter, tool head or die set is installed and is functioning correctly.
- + This tool is not to be used on live circuits!

- + Remove the battery of the battery crimping tool CT-2500/L or CT-2500/LE before mounting or exchanging the adapter, tool head or die set.
- + The battery crimping tool CT-2500/L or CT-2500/LE is only allowed to be operated with properly mounted Panduit approved adapters, crimp heads and crimp die sets.
- + The battery crimping tool CT-2500/L or CT-2500/LE may only be set up and operated in perfect technical condition, observing all the safety regulations and considering any possible dangers.
- + In case of a jam of the dies, press the slider for automatic retract.
- + In cases of a tool malfunction, production must be stopped and the malfunction must be fixed before continuing work with the battery crimping tool CT-2500/L or CT-2500/LE.
- + Use the battery crimping tool CT-2500/L or CT-2500/LE only with specifically designated battery packs.
- + Recharge only with the charger specified by the manufacturer.
- + Do not expose the charger to rain or humidity.
- + Do not abuse the cord. Never use the cord for carrying, pulling or unplugging the charger. Keep cord away from heat, oil, sharp edges or moving parts. Damaged or entangled cords increase the risk of electric shock.
- + When battery pack is not in use, keep it away from other metal objects like paper, clips, coins, keys, nails, screws, or other small metal objects that can make a connection from one terminal to another. Shorting the battery terminals together may cause burns or a fire.
- + Under abusive conditions, liquid may be ejected from the battery; avoid contact. If contact accidentally occurs, flush with water. If liquid contacts eyes, additionally seek medical help. Liquid ejected from the battery may cause irritations or burns.
- + Work with caution.
- + Only one person is allowed to work on or with the tool at a time.
- + Only trained personal are allowed to work on or with the tool.
- + When working with the battery crimping tool CT-2500/L or CT-2500/LE, do not wear loose clothing, jewelry or long, loose hair that can get caught in the mechanism.
- + Use safety gear and always wear eye protection. Safety equipment will reduce personal injuries.
- + Observe the exchange and maintenance intervals strictly.

2.3 Responsibilities

The battery crimping tool CT-2500/L or CT-2500/LE may only be operated by suitably trained and authorized personnel. The user must clearly define and observe the responsibilities of the personnel for operation, set-up, maintenance and service.

Should the user make any changes to the tool without consulting the manufacturers or the suppliers, the latter will not be liable for any damage that may result.

The user of the battery crimping tool CT-2500/L or CT-2500/LE is responsible for making sure that all persons involved in any way, either in the installation or in maintenance of the tool, have been thoroughly trained on the system using this operating instruction.

The user is also responsible for the training of operators and the instruction must include the following aspects:

- + Purpose of the tool
- + Hazardous areas
- + Safety rules and regulations
- + Functionality of the various components of the tool
- + Proper operation of the tool

To assure full familiarization with the system, the training must be conducted in the native language of the operators involved.

| Staff qualifications required in conjunction with the use of the battery crimping tool CT-2500/L or CT-2500/LE: | |
|--|--|
| Installation Set-up Instruction | Technical personnel with language proficiency in either English or German, in addition to the native language of the operator. |
| Operation | Through qualified personnel trained as indicated above. |
| Maintenance Service | Technical personnel with proficiency in English or German. |

The safety instructions, warnings and precautions contained in the individual chapters must be strictly observed by all users and operators.

2.4 Designed Use

- + Realization of crimp connections up to a wire Ø of 6 mm² 10 AWG(wire end ferrules up to 50 mm²/1AWG) depending on the terminal design.

The battery crimping tool CT-2500/L or CT-2500/LE is designed for usage with Panduit approved adapters or tool heads. The adapter/tool head should only be used with the tool heads/dies specified by Panduit. It is only allowed to use the battery crimping tool CT-2500/L or CT-2500/LE together with the adapter, tool head and die set for the preparation of crimp connections!

2.5 Predictable Misuse

- + Every application which is not mentioned in chapter 2.4 „Designed Use“.

2.6 Hazardous Areas

1. Hazardous Area: Area of interchangeable crimping dies/tool heads
 Person at risk: Operator
 Type of Hazard: Hand Injuries

3 Shipment

3.1 Packing

Upon receipt, unpack the battery crimping tool CT-2500/L or CT-2500/LE carefully and check that you have received all components against the packing slip, declaration of conformity and operating instructions. We recommend that you retain the packing for further dispatch and for storage.

Dimension:

Length: approx. 16" (410 mm)
 Width: approx. 18" (460 mm)
 Height: approx. 5" (120 mm)

Gross-Weight: approx. 11 lbs (5 kg)

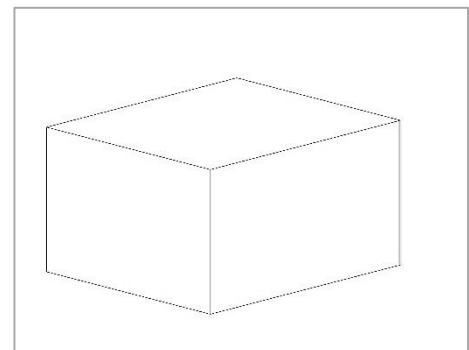


Fig. 3.1

3.2 Packing Contents

- 1 pc Battery crimping tool CT-2500/L or CT-2500/LE with battery (without adapter, tool head and die set)
- 1 pc Battery charger 110 V or 230 V
- 1 pc Operating instructions
- 1 pc Tool case with foam insert
- 1 pc Declaration of conformity

4 Technical Description

4.1 Overview Battery Crimping Tool CT-2500/L or CT-2500/LE



Fig. 4.1

| Pos. | Description |
|------|---|
| 01 | Holding device for adapter or tool head, rotatable 360° |
| 02 | Locking pins |
| 03 | Trigger |
| 04 | LED for illumination of the workplace |
| 05 | 10.8V Li-Ion battery |
| 06 | Unlocking device of the battery |
| 07 | Slider for manual retract in case of an error or emergency |
| 08 | Service light |
| 09 | Battery charge level button |
| 10 | Battery charge level |
| 11 | Identification plate battery (at the bottom side of the battery) |
| 12 | Product seal with serial number (in the housing of the battery bay) |

4.2 Tool Identification

| Item | Description |
|------|---------------|
| 01 | Serial Number |
| 02 | Seal |
| 03 | Address |



Fig. 4.2

4.3 Overview Battery Charger

| Item | Description |
|------|--|
| 01 | Charger connected to power supply and carries voltage! |
| 02 | Charger defect |
| 03 | Charging process begins |
| 04 | Battery fully charged |
| 05 | Battery defect |
| 06 | Battery too hot or too cold |

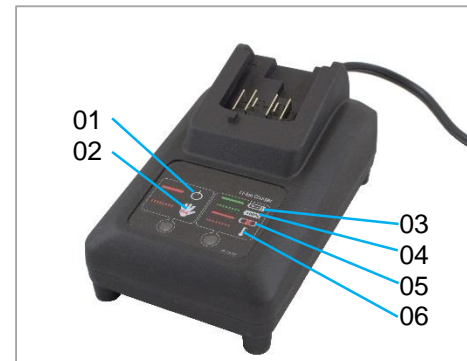


Fig. 4.3

4.4 Technical Data

Dimension:

| | |
|---------|----------------|
| Length: | 3.5" (90 mm) |
| Width: | 2.5" (64 mm) |
| Height: | 10.6" (270 mm) |

Weight incl. Battery: approx. 2.9 lbs (1.3 kg)

| | |
|----------------------|---|
| Crimp Speed | approx. 2 s (depending on the terminal cross section) |
| Crimp Force | max. 1.5 T (13 kN) |
| Stroke: | approx. 12 mm |
| Noise level: | 70 dB (A) in 1 m distance |
| Vibrations: | < 2,5 m/s ² |
| Environmental Temp.: | -10°C – 40°C |

Battery:

| | |
|------------------------|----------------|
| Battery Capacity: | 1.5 Ah, Li-Ion |
| Battery Charging Time: | 40 min. |
| Battery Voltage: | 10.8 V |

4.5 Operating Elements

4.5.1 Slider for Manual Retract

In case of jammed jaws caused by operation or handling errors or wrongly placed contact the battery crimping tool CT-2500/L or CT-2500/LE can be opened as follows:

- + Slide the retract slide 1 in the direction of the battery. The tool opens the jaws.
- + Remove the damaged contact and dispose it.



Fig. 4.4

4.5.2 Tool Head Holding Device

The tool head holding device may be rotated, by hand, 360° relative to the body, offering the operator the possibility to adjust the tool head to a suitable working position.



Fig. 4.5

5 Transport

The weight of the battery crimping tool CT-2500/L or CT-2500/LE is approx. 1.3 kg (2.9 lbs).



ATTENTION

- + Wear suitable safety shoes when transporting the machine.

Store and transport the battery crimping tool CT-2500/L or CT-2500/LE in the carrying case in order to protect it against damage.

6 Installation

6.1 Battery Charging

Before using the battery crimping tool CT-2500/L or CT-2500/L the first time, the batteries have to be charged!



DANGER

- + Recharge only with the charger specified by the manufacturer.
- + Do not expose the charger to rain or humidity.
- + Do not abuse the cord. Never use the cord for carrying, pulling or unplugging the charger. Keep cord away from heat, oil, sharp edges or moving parts. Damaged or entangled cords increase the risk of electric shock.



DANGER

- + Use the battery crimping tool CT-2500/L or CT-2500/LE only with specifically designated battery packs.
- + When battery pack is not in use, keep it away from other metal objects like paper, clips, coins, keys, nails, screws, or other small metal objects that can make a connection from one terminal to another. Shorting the battery terminals together may cause burns or a fire.
- + Under abusive conditions, liquid may be ejected from the battery; avoid contact. If contact accidentally occurs, flush with water. If liquid contacts eyes, additionally seek medical help. Liquid ejected from the battery may cause irritations or burns.
- + Due to the risk of hand or finger injury, never try to reach into the battery crimping tool CT-2500/L or CT-2500/LE before having assured that the battery has been removed.



CAUTION

- + Do not operate the battery crimping tool CT-2500/L or CT-2500/LE before having read and understood all operating instructions.
- + Every tool operator must have read and understood this operating instruction. The safety instructions, warnings and precautions contained in the individual chapters must be strictly observed by all users and operators when working on or with the battery crimping tool CT-2500/L or CT-2500/LE.
- + The battery crimping tool CT-2500/L or CT-2500/LE may only be set up and operated in perfect technical condition, observing all the safety regulations and considering any possible dangers.
- + Before commissioning the tool, it is always important to check whether a Panduit approved adapter, tool head or die set is installed and is functioning correctly.
- + The crimp tool is only allowed to be used with mounted, Panduit approved adapter with tool head or tool head with die set.
- + When working with the battery crimping tool CT-2500/L or CT-2500/LE, do not wear loose clothing, jewellery or long, loose hair that can get caught in the mechanism.
- + Work with caution.
- + In cases of a tool malfunction, production must be stopped and the malfunction must be fixed before continuing work with the battery crimping tool CT-2500/L or CT-2500/LE.
- + Only one person is allowed to work on or with the battery crimping tool CT-2500/L or CT-2500/LE at a time.
- + Only trained personal are allowed to work on or with the battery crimping tool CT-2500/L or CT-2500/LE.

- + Remove the battery from the battery crimping tool CT-2500/L or CT-2500/LE by pressing the battery unlocking device.
- + Connect the charger to the power supply.
- + Insert the battery into the charger. The battery charging time is approx. 40 min.
- + When the battery is fully charged, remove it and reinsert it into the battery crimping tool CT-2500/L or CT-2500/LE.



Fig. 6.1

The battery crimping tool CT-2500/L or CT-2500/LE is now ready for use.



INFORMATION

- + Please pay attention that the battery has been removed from the charger, if it is not connected to the power supply. Otherwise the battery will be completely discharged.

6.2

Battery Charge Level

- + Press button 1 to check the charge level of the battery:

| | |
|-------|---------|
| 100 % | ● ● ● ● |
| 75 % | ● ● ● ○ |
| 50 % | ● ● ○ ○ |
| 25 % | ● ○ ○ ○ |
| 0% | ○ ○ ○ ○ |



Fig. 6.2

7 Commissioning

7.1 Available Adapters, Tool Heads and Die Sets

The battery crimping tool CT-2500/L or CT-2500/LE can be operated with the following tool heads:

- + CT-25xxCH basic tool head together with exchangeable dies (Fig 7.1)



INFORMATION

- + The tool heads of the CT-25xxCH series supplied as of March 2016 have been optimized according to the latest guidelines. Due to the spring guided closing mechanism, the tool heads are always closed.
-



Fig. 7.1

- + CT-2523CH crimp head with adapter (Fig. 7.2).



Fig. 7.2

Further information on our tool range can be found in our catalogue, on our homepage www.panduit.com. Please contact us if you need any further information.

7.2 Mounting a Tool Head or Adapter on the Tool



DANGER

- + Due to the risk of hand or finger injury, never try to reach into the battery crimping tool CT-2500/L or CT-2500/LE before having assured that the battery has been removed.
 - + Remove the battery from the battery crimping tool CT-2500/L or CT-2500/LE before mounting or exchanging the adapter, tool head or die set.
-



CAUTION

- + Every tool operator must have read and understood this operating instruction. The safety instructions, warnings and precautions contained in the individual chapters must be strictly observed by all users and operators when working on or with the battery crimping tool CT-2500/L or CT-2500/LE.
 - + The battery crimping tool CT-2500/L or CT-2500/LE may only be set up and operated in perfect technical condition, observing all the safety regulations and considering any possible dangers.
 - + Before commissioning the tool, it is always important to check if a Panduit approved adapter, tool head or die set is installed and is functioning correctly.
 - + The crimp tool is only allowed to be used with mounted adapter with tool head or tool head with die set.
 - + When working with the battery crimping tool CT-2500/L or CT-2500/LE, do not wear loose clothing, jewellery or long, loose hair that can get caught in the mechanism.
 - + Work with caution.
 - + In cases of a tool malfunction, production must be stopped and the malfunction must be fixed before continuing work with the battery crimping tool CT-2500/L or CT-2500/LE.
 - + Only one person is allowed to work on or with the battery crimping tool CT-2500/L or CT-2500/LE at a time.
 - + Only trained personal are allowed to work on or with the battery crimping tool CT-2500/L or CT-2500/LE.
-

- + Before mounting the tool head or adapter, please pay attention that the ram of the tool is in the lowest position. If the ram is in another/wrong position, press the trigger until the ram automatically drives in the lowest position.
- + Pull out the pins **1** of the holding device.
- + Install the CT-2523CH tool head with adapter on the tool from above.



Mounting of CT-2523CH tool head Fig. 7.3

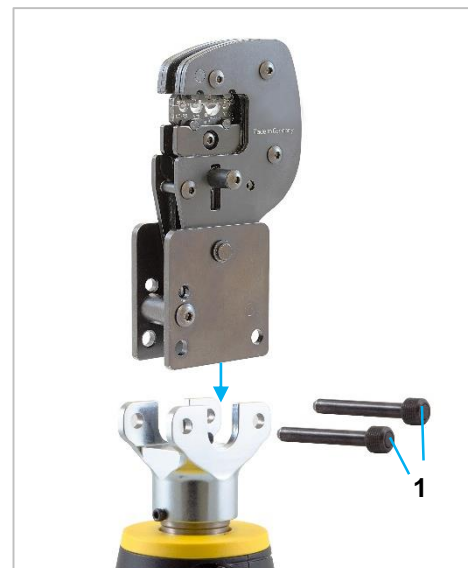
Or:

- + Install the tool heads of the CT-25xxCH series on the tool from above.



INFORMATION

- + The tool heads of the CT-25xxCH series supplied as of March 2016 have been optimized according to the latest guidelines. Due to the spring guided closing mechanism, the tool heads are always closed.



Mounting of CT-25xxCH tool head Fig. 7.4

- + After having mounted the adapter / tool head, lock the pins **1** of the holding device.



Fig. 7.5

7.3 Turning on/off of the LED Light for Illumination of the Workplace

7.3.1 Turn on the LED

- + Remove the battery from the battery crimping tool CT-2500/L or CT-2500/LE.
- + Re-insert the battery without pressing the trigger **1**.

The LED **2** lights up during and after the crimping process.

7.3.2 Turn off the LED

- + Remove the battery from the battery crimping tool CT-2500/L or CT-2500/LE.
- + Press the trigger **1** and keep it pressed while inserting the battery.
- + Keep the trigger pressed for some seconds.

The LED **2** is turned off.



Fig. 7.6

8 Normal Operation, Production Cycle



DANGER

- + Due to the risk of hand or finger injury, never try to reach into the battery crimping tool CT-2500/L or CT-2500/LE before having assured that the battery has been removed.
- + Remove the battery from the battery crimping tool before mounting or exchanging the adapter, tool head or die set.



CAUTION

- + Do not operate the battery crimping tool CT-2500/L or CT-2500/LE before having read and understood all operating instructions.
- + Every tool operator must have read and understood this operating instruction. The safety instructions, warnings and precautions contained in the individual chapters must be strictly observed by all users and operators when working on or with the battery crimping tool CT-2500/L or CT-2500/LE.
- + The battery crimping tool CT-2500/L or CT-2500/LE may only be set up and operated in perfect technical condition, observing all the safety regulations and considering any possible dangers.
- + Before commissioning the tool, it is always important to check if a Panduit approved adapter, tool head or die set is installed and is functioning correctly.
- + The crimp tool is only allowed to be used with mounted adapter with tool head or tool head with die set.
- + When working with the battery crimping tool CT-2500/L or CT-2500/LE, do not wear loose clothing, jewellery or long, loose hair that can get caught in the mechanism.
- + Work with caution.
- + In cases of a tool malfunction, production must be stopped and the malfunction must be fixed before continuing work with the battery crimping tool CT-2500/L or CT-2500/LE.
- + Only one person is allowed to work on or with the battery crimping tool CT-2500/L or CT-2500/LE at a time.
- + Only trained personal are allowed to work on or with the battery crimping tool CT-2500/L or CT-2500/LE.



INFORMATION

- + If you release the trigger, the crimping process will be interrupted. If you press the trigger again, the crimping process will be continued until its completion.

8.1 Crimping Process with the CT-25xxCH tool heads

1. Open the dies by depressing the lever of the tool head.
2. Keep it depressed and insert the crimp contact in the die profile. Please pay attention to the correct profile assignment and to the correct positioning within the crimp profile!
3. Release the lever. The dies close automatically and hold the contact.
4. Insert the wire which is stripped acc. to the specifications and position it for crimping.
5. Press the trigger to start the crimp process.
6. Keep the trigger pressed until the crimp cycle is finished. The jaws will open automatically.
7. Depress the lever of the tool head and remove crimped contact.

8.2 Crimping Process with CT-2523CH tool head

1. Insert the crimp contact in the die profile or locator. Please pay attention to the correct profile assignment and to the correct positioning within the crimp profile! If using a locator, close it.
2. Press the trigger until the dies just touch the terminal, holding the contact securely.
3. Insert the wire which is stripped acc. to the specifications and position it for crimping.
4. Press the trigger to start the crimp process.
5. Keep the trigger pressed until the crimp cycle is finished. The jaws will open automatically.
6. Remove crimped contact.

9 Maintenance

9.1 Maintenance Plan



DANGER

- + Due to the risk of hand or finger injury, never try to reach into the battery crimping tool CT-2500/L or CT-2500/LE before having assured that the battery has been removed.
 - + Remove the battery from the battery crimping tool before mounting or exchanging the adapter, tool head or die set.
-



CAUTION

- + Observe the exchange and maintenance intervals strictly.
 - + Do not operate the battery crimping tool CT-2500/L or CT-2500/LE before having read and understood all operating instructions.
 - + Every tool operator must have read and understood this operating instruction. The safety instructions, warnings and precautions contained in the individual chapters must be strictly observed by all users and operators when working on or with the battery crimping tool CT-2500/L or CT-2500/LE.
 - + The battery crimping tool CT-2500/L or CT-2500/LE may only be set up and operated in perfect technical condition, observing all the safety regulations and considering any possible dangers.
 - + Before commissioning the tool, it is always important to check if a Panduit approved adapter, tool head or die set is installed and is functioning correctly.
 - + When working with the battery crimping tool CT-2500/L or CT-2500/LE, do not wear loose clothing, jewellery or long, loose hair that can get caught in the mechanism.
 - + Work with caution.
 - + In cases of a tool malfunction, production must be stopped and the malfunction must be fixed before continuing work with the battery crimping tool CT-2500/L or CT-2500/LE.
 - + Only one person is allowed to work on or with the battery crimping tool CT-2500/L or CT-2500/LE at a time.
-

Regular maintenance and cleaning of the parts which can be reached without opening the battery crimping tool CT-2500/L or CT-2500/LE will prolong the life of the tool. Do not use rough materials to clean the tool such as wire wool. The battery crimping tool CT-2500/L or CT-2500/LE and/or tool parts should not be cleaned with compressed air. The crimping tool as well as the tool parts must not be cleaned with hard objects like scrapers, steel wool or similar. Vacuum heavily soiled parts and wear.

9.1.1 Daily

- + Visual inspection of the battery crimping tool CT-2500/L or CT-2500/LE for damage or leaks.
- + Die sets and tool heads should be cleaned in the profile area and checked for any damage before every use. Lightly lubricate the profiles.

9.1.2 After 10.000 cycles or two years

Repair, maintenance and settings should be done by our service department to guarantee the security and reliability of the tool. Therefore please send the tool to the following address:

Service-Address:

| | |
|---|--|
| <p>Panduit Electrical Headquarters (USA) 16530 W. 163rd Street Lockport, IL 60441 USA</p> <p>Tel.: 1-800-777-3300</p> | <p>Panduit EMEA Service Center (EUR) EMEA Tool Service Center Bedrijvenpark Twente 360 7602 KL Almelo tel + 31 546 580 451</p> |
|---|--|

Please have the following information ready when you contact service:

- + Tool Type
- + Tool Serial Number



WARNING

- + Do not damage the tool seal (Fig. 4.1. pos.12)! The guarantee expires if the seal is damaged.

10 Problem Handling / Service Light



DANGER

- + Due to the risk of hand or finger injury, never try to reach into the battery crimping tool CT-2500/L or CT-2500/LE before having assured that the battery has been removed.
- + Remove the battery from the battery crimping tool before mounting or exchanging the adapter, tool head or die set.



CAUTION

- + Do not operate the battery crimping tool CT-2500/L or CT-2500/LE before having read and understood all operating instructions.
- + Every tool operator must have read and understood this operating instruction. The safety instructions, warnings and precautions contained in the individual chapters must be strictly observed by all users and operators when working on or with the battery crimping tool CT-2500/L or CT-2500/LE.
- + The battery crimping tool CT-2500/L or CT-2500/LE may only be set up and operated in perfect technical condition, observing all the safety regulations and considering any possible dangers.
- + Before commissioning the tool, it is always important to check if a Panduit approved adapter, tool head or die set is installed and is functioning correctly.
- + When working with the battery crimping tool CT-2500/L or CT-2500/LE, do not wear loose clothing, jewellery or long, loose hair that can get caught in the mechanism.
- + Work with caution.
- + In cases of a tool malfunction, production must be stopped and the malfunction must be fixed before continuing work with the battery crimping tool CT-2500/L or CT-2500/LE.
- + Only one person is allowed to work on or with the battery crimping tool CT-2500/L or CT-2500/LE at a time.



INFORMATION

- + In case of a blockade of the dies press the slider for manual retract.

| Service Light | Reason | Remedial Action |
|--|--------------------------------------|---|
| Lights up for 20 sec. after the crimping process | + Battery almost empty | + Recharge the battery |
| Flashes 2 times after inserting the battery | + Self-test | |
| Flashes for 20 sec. in a frequency of 2Hz after the crimping process | | + Return tool to our service address for inspection and repair. |
| Flashes for 20 sec. in a frequency of 5 Hz | + Tool too hot | + Wait for 15 min until the tool has been cooled down. |
| Lights up for 20 sec and subsequently flashes for 20 sec. in a frequency of 2 Hz | + Battery is discharged or defective | + Return tool to our service address for inspection. |

In the event of a problem, our customer service personnel will be able to help you.

Service address:

| | |
|---|--|
| <p>Panduit Electrical Headquarters (USA) 16530 W. 163rd Street Lockport, IL 60441 USA</p> <p>Tel.: 1-800-777-3300</p> | <p>Panduit EMEA Service Center (EUR) EMEA Tool Service Center Bedrijvenpark Twente 360 7602 KL Almelo</p> <p>tel + 31 546 580 451</p> |
|---|--|

Please have the following information ready when you contact service.

- + Tool Type
- + Tool Serial Number

11 Removal from Service, Demounting, Disassembly,



DANGER

- + Due to the risk of hand or finger injury, never try to reach into the battery crimping tool CT-2500/L or CT-2500/LE before having assured that the battery has been removed.
 - + Remove the battery from the battery crimping tool before mounting or exchanging the adapter, tool head or die set.
-



CAUTION

- + When working with the battery crimping tool CT-2500/L or CT-2500/LE, do not wear loose clothing, jewellery or long, loose hair that can get caught in the mechanism.
 - + During transport and demounting of the tool, wear suitable safety shoes.
 - + Work with caution.
 - + Only one person is allowed to work on or with the battery crimping tool CT-2500/L or CT-2500/LE at a time.
-

12 Storage

Store and transport the battery crimping tool CT-2500/L or CT-2500/LE in the carrying case in order to protect it against damage.

13 Disposal

For the disposal of the battery crimping tool CT-2500/L or CT-2500/LE, return the tool to Panduit Corporation.

Inhaltsverzeichnis

| | | |
|-------|--|----|
| 1 | Einleitung | 23 |
| 1.1 | Produktbeschreibung | 23 |
| 1.2 | Konformität | 23 |
| 1.3 | Umgang mit der Betriebsanleitung..... | 23 |
| 2 | Sicherheit | 24 |
| 2.1 | Hinweiserklärung..... | 24 |
| 2.2 | Allgemeine Sicherheitshinweise | 24 |
| 2.3 | Verantwortlichkeiten | 26 |
| 2.4 | Bestimmungsgemäße Verwendung | 26 |
| 2.5 | Vorhersehbare Fehlanwendung..... | 27 |
| 2.6 | Gefährdungsbereich..... | 27 |
| 3 | Lieferung | 27 |
| 3.1 | Verpackung | 27 |
| 3.2 | Lieferumfang | 27 |
| 4 | Technische Beschreibung | 28 |
| 4.1 | Übersicht Akku-Handcrimpgerät CT-2500/L oder CT-2500/LE | 28 |
| 4.2 | Geräteidentifikation | 28 |
| 4.3 | Übersicht Ladegerät..... | 29 |
| 4.4 | Technische Daten | 29 |
| 4.5 | Bedienelemente | 29 |
| 4.5.1 | Schieber zum manuellen Rücklauf | 29 |
| 4.5.2 | Werkzeugaufnahme..... | 30 |
| 5 | Transport | 30 |
| 6 | Inbetriebnahme | 30 |
| 6.1 | Laden des Akkus..... | 30 |
| 6.2 | Abfrage des Akku-Ladestatus | 31 |
| 7 | Einrichten | 32 |
| 7.1 | Verfügbare Adapter, Crimpköpfe und Einsätze | 32 |
| 7.2 | Montage der Werkzeugköpfe auf dem Gerät..... | 33 |
| 7.3 | Ein- und Ausschalten des LEDs zur Ausleuchtung des Arbeitsplatzes..... | 35 |
| 7.3.1 | Einschalten des LEDs..... | 35 |
| 7.3.2 | Ausschalten des LEDs..... | 35 |
| 8 | Normalbetrieb / Produktionsbetrieb | 36 |
| 8.1 | Crimpvorgang mit CT-25xxCH Werkzeugköpfen..... | 36 |
| 8.2 | Crimpvorgang mit dem CT-2523CH Werkzeugkopf | 37 |
| 9 | Instandhaltung | 37 |
| 9.1 | Wartungsplan | 37 |
| 9.1.1 | Täglich | 38 |
| 9.1.2 | Nach 10.000 Zyklen oder 2 Jahren | 38 |
| 10 | Störungsanalyse / Servicelampe | 38 |
| 11 | Außerbetriebnahme, Abbau, Demontage..... | 40 |
| 12 | Lagerung | 40 |
| 13 | Entsorgung..... | 40 |

1 Einleitung

1.1 Produktbeschreibung

Das Akku-Handcrimpgerät CT-2500/L oder CT-2500/LE ist ein batteriebetriebenes, als Handgerät konzipiertes Crimpgerät für das Panduit Crimpwerkzeug-System.

Ausgerichtet auf die professionelle Anwendung kann mit den unterschiedlichen, werkzeuglos adaptierbaren Werkzeugköpfen und Crimpeinsätzen ein umfangreiches Verbindersortiment mühelos verarbeitet werden. Adapter, Werkzeugköpfe und Gesenke können je nach Anwendungsbedarf schnell und einfach gewechselt werden.

Das Akku-Handcrimpgerät CT-2500/L oder CT-2500/LE besitzt einen automatischen Rücklauf, der den Kolben nach Erreichen der max. Kraft automatisch in die Ausgangslage zurückfährt. Weiterhin ist das Gerät mit einem Nachlaufstopp ausgerüstet, der den Vorschub nach Loslassen des Bedienungsschalters sofort stoppt.

Das geringe Gewicht, die kleine handliche Bauform und das ergonomische 2-Kopponentengehäuse mit Softeinlage garantiert eine komfortable und sichere Einhandbedienung. Die um 360° drehbare Werkzeugkopfaufnahme passt sich der gewünschten Arbeitsposition an und bietet so ein optimales Handling.

Jede andere Einsatzart des Akku-Handcrimpgeräts CT-2500/L oder CT-2500/LE ist nur mit schriftlicher Zustimmung des Herstellers zulässig. Jede nicht bewilligte Einsatzart des Akku-Handcrimpgeräts gilt als nicht bestimmungsgemäß. Für daraus resultierende Schäden lehnt der Hersteller jede Haftung ab.

1.2 Konformität



Das Akku-Handcrimpgerät CT-2500/L oder CT-2500/LE ist ausschließlich für den in der Betriebsanleitung beschriebenen Zweck zu verwenden. Für Schäden, die aus nicht bestimmungsgemäßer Verwendung entstehen, haftet der Hersteller bzw. Lieferer nicht: **das Risiko hierfür trägt allein der Benutzer.**

RoHS Information

Das Akku-Handcrimpgerät CT-2500/L oder CT-2500/LE entspricht der EU-Richtlinie 2011/65/EU (RoHS2-Richtlinie).

CE

Das Akku-Handcrimpgerät CT-2500/L oder CT-2500/LE ist CE konform. **Die Konformitätserklärung wurde im Original zusammen mit der Betriebsanleitung des Akku-Handcrimpgeräts CT-2500/L oder CT-2500/LE im Koffer versendet.**

1.3 Umgang mit der Betriebsanleitung

Die Betriebsanleitung enthält alle Informationen über die Bedienungselemente, Handhabung, Wartungs- und Einstellarbeiten sowie alle technischen Daten.

Die Betriebsanleitung muss dem Akku-Handcrimpgerät CT-2500/L oder CT-2500/LE ständig beigelegt sein. Jeder der mit Arbeiten an dem Gerät beauftragt ist, muss die Betriebsanleitung gelesen und verstanden haben. Er muss während der Durchführung von Arbeiten an oder mit dem Gerät die zutreffenden Inhalte dieser Betriebsanleitung beachten.

Der Hersteller und Verkäufer lehnen jede Haftung für Schäden ab, die durch Nichtbeachten von Hinweisen auf dem Akku-Handcrimpgerät CT-2500/L oder CT-2500/LE oder in der Betriebsanleitung entstehen. Die Betriebsanleitung ist vom Benutzer des Akku-Handcrimpgeräts CT-2500/L oder CT-2500/LE um Anweisungen aufgrund bestehender nationaler Vorschriften zur Unfallverhütung und zum Umweltschutz zu ergänzen.

Rechtsverbindlich ist die deutsche Originalfassung. Die Betriebsanleitung ist für spätere Verwendung aufzubewahren.

2 Sicherheit

2.1 Hinweiserklärung

Auf die verschiedenen Gefahrenstufen wird in den einzelnen Abschnitten und Kapiteln mit folgenden Sicherheitshinweisen aufmerksam gemacht:



GEFAHR

- + Kennzeichnet **gefährliche elektrische Spannung**, die beim Berühren mit Sicherheit zu schweren Verletzungen oder sogar zum Tode führt.



GEFAHR

- + Kennzeichnet **eine unmittelbar drohende, große Gefahr**, die mit Sicherheit zu schweren Verletzungen oder sogar zum Tode führt, wenn die Gefahr nicht umgangen wird.



WARNUNG

- + Kennzeichnet **eine mögliche Gefahr**, die zu schweren Verletzungen oder sogar zum Tode führt, wenn die Gefahr nicht umgangen wird.



VORSICHT

- + Weist auf eine **potenziell gefährliche Situation** hin, die zu mittleren oder leichten Körperverletzungen oder zu Sachschäden führen kann, wenn sie nicht umgangen wird.



HINWEIS

- + Wenn diese Information nicht beachtet wird, kann dies zu Verschlechterungen im Betriebsablauf führen.

2.2 Allgemeine Sicherheitshinweise

Das Akku-Handcrimpgerät CT-2500/L oder CT-2500/LE ist nach dem Stand der Technik und den anerkannten sicherheitstechnischen Regeln gebaut.

Beim Ausführen von Arbeiten wie Inbetriebnahme, Einrichten, Betreiben, Ändern der Einsatzbedingungen und Betriebsweisen, Warten und Instandhalten des Akku-Handcrimpgeräts CT-2500/L oder CT-2500/LE, sind die in der Betriebsanleitung vorgeschriebenen Ausschaltprozeduren zu beachten.

Für den Betrieb des Akku-Handcrimpgeräts CT-2500/L oder CT-2500/LE sind die nationalen Regelungen über das gesetzliche Mindestalter zu beachten. Es ist strikt untersagt, jüngeren Personen Zutritt zu dem Akku-Handcrimpgerät CT-2500/L oder CT-2500/LE zu gewähren.

- + Betreiben Sie das Akku-Handcrimpgerät CT-2500/L oder CT-2500/LE nicht, bevor Sie alle Anweisungen gelesen und verstanden haben.
- + Jeder der mit Arbeiten an dem Akku-Handcrimpgerät CT-2500/L oder CT-2500/LE beauftragt ist, muss die Betriebsanleitung gelesen und verstanden haben. Er muss während der Durchführung von Arbeiten an oder mit dem Gerät diese Betriebsanleitung beachten.
- + Eigenmächtige Veränderungen an dem Akku-Handcrimpgerät CT-2500/L oder CT-2500/LE schließen eine Haftung des Herstellers bzw. Lieferers für daraus resultierende Schäden aus.
- + Tragen Sie beim Transport des Akku-Handcrimpgeräts CT-2500/L oder CT-2500/LE geeignete Sicherheitsschuhe.
- + Es besteht die Restgefahr des Quetschens von Fingern. Versuchen Sie nie, in die Gefahrenstelle zu greifen, ohne dass der Akku des Akku-Handcrimpgeräts CT-2500/L oder CT-2500/LE sicher entfernt wurde.

- + Vor jeder Inbetriebnahme ist zu prüfen, ob ein durch Panduit freigegebener Adapter oder Werkzeugkopf angebracht ist und einwandfrei funktioniert.
- + Verkrimpen Sie niemals unter Strom stehende Teile!
- + Entfernen Sie den Akku des Akku-Handcrimpgeräts CT-2500/L oder CT-2500/LE bevor Sie den Adapter, Werkzeugkopf oder das Gesenk montieren oder auswechseln.
- + Das Akku-Handcrimpgerät CT-2500/L oder CT-2500/LE darf ausschließlich mit montierten, durch Panduit freigegebenen Adaptern, Werkzeugköpfen und Gesenken betrieben werden!
- + Das Akku-Handcrimpgerät CT-2500/L oder CT-2500/LE darf nur in technisch einwandfreiem Zustand, sowie sicherheits- und gefahrenbewusst eingerichtet und betrieben werden.
- + Bei einer Blockade der Gesenke betätigen Sie den Schieber zum manuellen Rücklauf.
- + Bei Feststellung von Mängeln an dem Akku-Handcrimpgerät CT-2500/L oder CT-2500/LE muss die Arbeit unterbrochen und die Störung behoben werden, bevor weiter mit dem Gerät gearbeitet wird.
- + Verwenden Sie nur die dafür vorgesehenen Akkus in dem Akku-Handcrimpgerät CT-2500/L oder CT-2500/LE!
- + Laden Sie die Akkus nur in Ladegeräten auf, die vom Hersteller empfohlen werden!
- + Halten Sie das Ladegerät von Regen oder Nässe fern.
- + Zweckentfremden Sie das Kabel nicht um das Gerät zu tragen, aufzuhängen oder um den Stecker aus der Steckdose zu ziehen. Halten Sie das Kabel fern von Hitze, Öl, scharfen Kanten oder sich bewegenden Geräteteilen. Beschädigte oder verwickelte Kabel erhöhen das Risiko eines elektrischen Schlages.
- + Halten Sie den nicht benutzten Akku fern von Büroklammern, Münzen, Schlüsseln, Nägeln, Schrauben oder anderen kleinen Metallgegenständen, die eine Überbrückung der Kontakte verursachen könnten. Ein Kurzschluss zwischen den Akkukontakten kann Verbrennungen oder Feuer zu Folge haben.
- + Bei falscher Anwendung kann Flüssigkeit aus dem Akku austreten. Vermeiden Sie den Kontakt damit. Bei zufälligem Kontakt mit Wasser abspülen. Wenn Die Flüssigkeit in die Augen kommt, nehmen Sie zusätzlich ärztliche Hilfe in Anspruch. Austretende Akkufflüssigkeit kann zu Hautreizungen oder Verbrennungen führen.
- + Arbeiten Sie sorgfältig.
- + Es darf nur eine Person an oder mit dem Akku-Handcrimpgerät CT-2500/L oder CT-2500/LE tätig sein.
- + Es darf nur geschultes Personal an dem Akku-Handcrimpgerät CT-2500/L oder CT-2500/LE tätig werden.
- + Tragen Sie beim Arbeiten mit dem Akku-Handcrimpgerät CT-2500/L oder CT-2500/LE keine lose Kleidung, losen Schmuck oder lange, offene Haare, welche sich in dem Mechanismus verfangen können.
- + Tragen Sie persönliche Schutzausrüstung und immer eine Schutzbrille. Dies verringert das Risiko von Verletzungen.
- + Halten Sie die Austausch- und Wartungsintervalle streng ein.

2.3 Verantwortlichkeiten

Das Akku-Handcrimpgerät CT-2500/L oder CT-2500/LE darf nur von ausgebildetem und autorisiertem Personal betrieben werden. Die Zuständigkeit des Personals für Bedienen, Rüsten, Warten und Instandhalten ist vom Benutzer des Gerätes klar festzulegen und einzuhalten.

Eigenmächtige Veränderungen an dem Akku-Handcrimpgerät CT-2500/L oder CT-2500/LE schließen **eine Haftung des Herstellers bzw. Lieferers für daraus resultierende Schäden aus.**

Der Betreiber des Akku-Handcrimpgeräts CT-2500/L oder CT-2500/LE trägt die Verantwortung, dass jede Person, die sich mit dem Betrieb oder der Instandhaltung des Geräts befasst, anhand der vorliegenden Betriebsanleitung genauestens instruiert worden ist.

Der Betreiber des Akku-Handcrimpgeräts CT-2500/L oder CT-2500/LE trägt ferner die Verantwortung für die Ausbildung des Bedienpersonals, welche folgende Punkte beinhalten muss:

- + Verwendungszweck des Geräts
- + Gefährdungsbereich
- + Sicherheitsbestimmungen
- + Funktion der verschiedenen Elemente des Geräts
- + Bedienung des Geräts

Um zu gewährleisten, dass die Einweisung und Instruktion des Akku-Handcrimpgeräts CT-2500/L oder CT-2500/LE verstanden worden ist, muss die Schulung in der Sprache des Bedienpersonals erfolgen.

| Notwendige Qualifikation der Personen, die mit dem Einsatz des Akku-Handcrimpgeräts CT-2500/L oder CT-2500/LE mit einbezogen werden: | |
|---|--|
| Montage Inbetriebnahme Instruktion | Technische Fachkräfte, die nebst der deutschen oder englischen Sprache, die Sprache des Bedienpersonals beherrschen. |
| Bedienung | Durch technische Fachkräfte geschulte, qualifizierte Personen. |
| Unterhalt Service | Technische Fachkräfte, die Deutsch oder Englisch beherrschen. |

Die Sicherheitsvorschriften und die einschlägigen Hinweise in den einzelnen Abschnitten müssen durch die Betreiber und das Bedienpersonal zwingend eingehalten werden!

2.4 Bestimmungsgemäße Verwendung

- + Zum Herstellen von Crimpverbindungen bis zu einem Leitungsquerschnitt von max. 6 mm² (Aderendhülsen bis max. 50 mm²) in Abhängigkeit der Kontaktausführung.

Das Akku-Handcrimpgerät CT-2500/L oder CT-2500/LE ist zur Aufnahme der von Panduit freigegebenen Adapter und Werkzeugköpfe konzipiert. Der Adapter/Werkzeugkopf darf nur mit den Panduit spezifizierten Werkzeugköpfen/Gesenken bestückt werden. Das Akku-Handcrimpgerät CT-2500/L oder CT-2500/LE in Verbindung mit Adapter, Werkzeugkopf und Gesenken darf nur zur Herstellung von Crimpverbindungen verwendet werden!

2.5 Vorhersehbare Fehlanwendung

- + Alle Anwendungen - außer den in Kapitel 2.4 „Bestimmungsgemäße Verwendung“ angegebenen.

2.6 Gefährdungsbereich

1. Gefährdungsbereich: Bereich der auswechselbaren Crimpgesenke/Werkzeugköpfe
Gefährdete Person: Bedienpersonal
Art der Gefährdung: Quetschgefahr

3 Lieferung

3.1 Verpackung

Packen Sie die Bauteile des Akku-Handcrimpgeräts CT-2500/L oder CT-2500/LE sorgfältig aus und überprüfen Sie den Lieferumfang mit den Dokumenten (Lieferschein, Konformitätserklärung, Betriebsanleitung).

Bewahren Sie die Original-Verpackung für einen späteren Versand und für die Lagerung des Geräts auf.

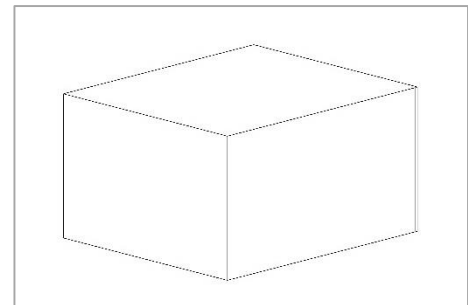


Abb. 3.1

Abmessung:

Länge: ca. 410 mm
Breite: ca. 460 mm
Höhe: ca. 120 mm

Gesamtgewicht: ca. 5 kg

3.2 Lieferumfang

- 1 Stk. Akku-Handcrimpgerät CT-2500/L oder CT-2500/LE mit Akku (ohne Adapter/Werkzeugkopf/Gesenke)
- 1 Stk. Ladegerät 110 V oder 230 V
- 1 Stk. Betriebsanleitung
- 1 Stk. Werkzeugkoffer inkl. Schaumstoffeinlage
- 1 Stk. Konformitätserklärung

4 Technische Beschreibung

4.1 Übersicht Akku-Handcrimpgerät CT-2500/L oder CT-2500/LE



Abb. 4.1

| Pos. | Bezeichnung |
|------|---|
| 01 | Aufnahme für Werkzeugkopf/Adapter, 360° drehbar |
| 02 | Verriegelungsstifte |
| 03 | Bedienungsschalter |
| 04 | LED zur Ausleuchtung des Arbeitsplatzes |
| 05 | 10.8V Li-Ion Akku |
| 06 | Entriegelung des Akkus |
| 07 | Schieber zum manuellen Öffnen der Crimpeinsätze im Fehler- bzw. Notfall |
| 08 | Serviceleuchte |
| 09 | Abfrage Akku-Ladestatus |
| 10 | Akku-Ladestatus |
| 11 | Typenschild Akku (Unterseite des Akkus) |
| 12 | Garantiesiegel mit Seriennummer (auf dem Gehäuse im Akkuschlacht) |

4.2 Geräteidentifikation

| Pos. | Bezeichnung |
|------|--------------|
| 01 | Seriennummer |
| 02 | Gerätesiegel |
| 03 | Adresse |



Abb. 4.2

4.3 Übersicht Ladegerät

| Pos. | Bezeichnung |
|------|---|
| 01 | Netzstecker ist eingesteckt, Gerät steht unter Spannung |
| 02 | Ladegerät ist defekt |
| 03 | Ladeprozess beginnt |
| 04 | Akku ist vollgeladen |
| 05 | Akku ist defekt |
| 06 | Akku ist zu heiß oder zu kalt |

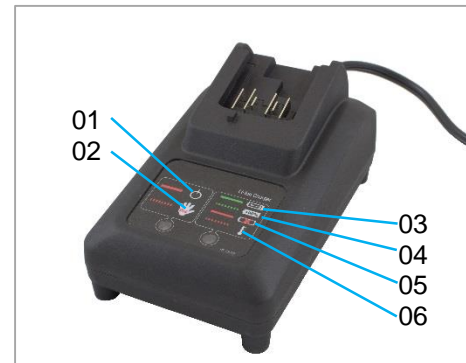


Abb. 4.3

4.4 Technische Daten

Abmessung:

| | |
|---------------------|------------|
| Länge: | 90 mm |
| Breite: | 64 mm |
| Höhe: | 270 mm |
| Gewicht inkl. Akku: | ca. 1,3 kg |

| | |
|--------------------------|---|
| Crimpgeschwindigkeit: | ca. 2 s (abhängig vom Verbinderquerschnitt) |
| Crimpkraft: | max. 13 kN |
| Hubweg: | ca. 12 mm |
| Schalldruckpegel: | 70 dB(A) in 1 m Abstand |
| Vibrationen | < 2,5m/s ² |
| Zul. Umgebungstemperatur | -10°C - +40°C |

Akku:

| | |
|----------------|----------------|
| Akkukapazität: | 1,5 Ah, Li-Ion |
| Akku-Ladezeit: | 40 min. |
| Akkuspannung: | 10,8 V |

4.5 Bedienelemente

4.5.1 Schieber zum manuellen Rücklauf

Sind die Crimpgesenke durch einen Bedienungs- oder Handhabungsfehler oder falsches Einlegen eines Crimpkontaktes blockiert, wird das Akku-Handcrimpgerät CT-2500/L oder CT-2500/LE wie folgt gelöst:

- + Betätigen Sie den Schalter zum manuellen Rücklauf 1. Das Gerät öffnet die Gesenke.
- + Entnehmen Sie den beschädigten Kontakt und entsorgen Sie diesen.



Abb. 4.4

4.5.2 Werkzeugaufnahme

Die Werkzeugaufnahme 1 ist 360° drehbar. Dadurch hat der Bediener die Möglichkeit, die Werkzeugaufnahme in die für ihn passende Arbeitsposition zu bringen.



Abb. 4.5

5 Transport

Das Gewicht des Akku-Handcrimpgeräts CT-2500/L oder CT-2500/LE beträgt ca. 1,3 kg.



VORSICHT

- + Tragen Sie beim Transport des Akku-Handcrimpgeräts CT-2500/L oder CT-2500/LE geeignete Sicherheitsschuhe.

Um das Akku-Handcrimpgerät CT-2500/L oder CT-2500/LE vor Beschädigungen zu schützen, sollten diese gereinigt in dem Transportkoffer verstaut, aufbewahrt und transportiert werden.

6 Inbetriebnahme

6.1 Laden des Akkus

Neue Akkus müssen vor dem erstmaligen Gebrauch geladen werden.



GEFAHR

- + Laden Sie die Akkus nur in Ladegeräten auf, die vom Hersteller empfohlen werden!
- + Halten Sie das Ladegerät von Regen oder Nässe fern.
- + Zweckentfremden Sie das Kabel nicht um das Gerät zu tragen, aufzuhängen oder um den Stecker aus der Steckdose zu ziehen. Halten Sie das Kabel fern von Hitze, Öl, scharfen Kanten oder sich bewegenden Geräteteilen. Beschädigte oder verwickelte Kabel erhöhen das Risiko eines elektrischen Schlages.



GEFAHR

- + Verwenden Sie nur die dafür vorgesehenen Akkus in dem Akku-Handcrimpgerät CT-2500/L oder CT-2500/LE!
- + Halten Sie den nicht benutzten Akku fern von Büroklammern, Münzen, Schlüsseln, Nägeln, Schrauben oder anderen kleinen Metallgegenständen, die eine Überbrückung der Kontakte verursachen könnten. Ein Kurzschluss zwischen den Akkukontakten kann Verbrennungen oder Feuer zu Folge haben.
- + Bei falscher Anwendung kann Flüssigkeit aus dem Akku austreten. Vermeiden Sie den Kontakt damit. Bei zufälligem Kontakt mit Wasser abspülen. Wenn Die Flüssigkeit in die Augen kommt, nehmen Sie zusätzlich ärztliche Hilfe in Anspruch. Austretende Akkuflüssigkeit kann zu Hautreizungen oder Verbrennungen führen.
- + Es besteht die Restgefahr des Quetschens von Fingern. Versuchen Sie nie, in die Gefahrenstelle zu greifen, ohne dass der Akku des Akku-Handcrimpgeräts CT-2500/L oder CT-2500/LE sicher entfernt wurde.



WARNUNG

- + Betreiben Sie das Akku-Handcrimpgerät CT-2500/L oder CT-2500/LE nicht, bevor Sie alle Anweisungen gelesen und verstanden haben.
- + Jeder der mit Arbeiten an dem Gerät beauftragt ist, muss die Betriebsanleitung gelesen und verstanden haben. Er muss während der Durchführung von Arbeiten an oder mit dem Gerät diese Betriebsanleitung beachten!
- + Das Akku-Handcrimpgerät CT-2500/L oder CT-2500/LE darf nur in technisch einwandfreiem Zustand, sowie sicherheits- und gefahrenbewusst eingerichtet und betrieben werden.
- + Vor jeder Inbetriebnahme ist zu prüfen, ob ein durch Panduit freigegebener Adapter oder Werkzeugkopf angebracht ist und einwandfrei funktioniert.
- + Das Akku-Handcrimpgerät CT-2500/L oder CT-2500/LE darf nur mit montierten, durch Panduit freigegebenen Adaptern, Werkzeugköpfen und Gesenken betrieben werden.
- + Tragen Sie beim Arbeiten mit dem Akku-Handcrimpgerät CT-2500/L oder CT-2500/LE keine lose Kleidung, losen Schmuck oder lange, offene Haare, welche sich in dem Mechanismus verfangen können.
- + Arbeiten Sie sorgfältig.
- + Bei Feststellung von Mängeln an dem Akku-Handcrimpgerät CT-2500/L oder CT-2500/LE muss die Arbeit unterbrochen und die Störung behoben werden, bevor weiter mit dem Gerät gearbeitet wird.
- + Es darf nur eine Person an oder mit dem Akku-Handcrimpgerät CT-2500/L oder CT-2500/LE tätig sein.
- + Es darf nur geschultes Personal an dem Akku-Handcrimpgerät CT-2500/L oder CT-2500/LE tätig werden.

- + Entnehmen Sie den Akku aus dem Akku-Handcrimpgerät CT-2500/L oder CT-2500/LE indem Sie die Akkuentriegelung betätigen.
- + Schließen Sie das Ladegerät an die Stromversorgung an.
- + Stecken Sie den Akku in das Ladegerät. Die Akku-Ladezeit beträgt ca. 40 min.
- + Wenn der Akku geladen ist, entfernen Sie diesen und setzen Sie ihn wieder in das Akku-Handcrimpgerät CT-2500/L oder CT-2500/LE ein.



Abb. 6.1

Das Akku-Handcrimpgerät CT-2500/L oder CT-2500/LE ist nun einsatzbereit.



HINWEIS

- + Bitte beachten Sie, dass der Akku aus dem Ladeschacht entnommen werden muss, wenn das Ladegerät nicht am Netz angeschlossen ist. Ansonsten wird der Akku tiefenentladen.

6.2

Abfrage des Akku-Ladestatus

- + Drücken Sie die Taste 1 zur Abfrage des Ladestatus:

| | |
|-------|---------|
| 100 % | ● ● ● ● |
| 75 % | ● ● ● ○ |
| 50 % | ● ● ○ ○ |
| 25 % | ● ○ ○ ○ |
| 0% | ○ ○ ○ ○ |



Abb. 6.2

7 Einrichten

7.1 Verfügbare Adapter, Crimpköpfe und Einsätze

Das Akku-Handcrimpgerät CT-2500/L oder CT-2500/LE kann mit den folgenden Crimpköpfen betrieben werden:

- + CT-25xxCH Basiskopf zusammen mit auswechselbaren Einsätzen (Abb. 7.1)



HINWEIS

- + Die ab März 2016 ausgelieferten CT-25xxCH Werkzeugköpfe wurden den neuen Richtlinien angepasst und optimiert. Bedingt durch das Schließen mit Federmechanismus befindet sich der Werkzeugkopf immer im geschlossenen Zustand.



Abb. 7.1

- + CT-2523CH Werkzeugkopf mit Adapter (Abb. 7.2)



Abb. 7.2

Eine Aufstellung der Standardeinsätze finden Sie im Panduit Katalog, unter www.panduit.com oder Sie erhalten Sie auf Anfrage gerne von uns.

7.2 Montage der Werkzeugköpfe auf dem Gerät



GEFAHR

- + Es besteht die Restgefahr des Quetschens von Fingern. Versuchen Sie nie, in die Gefahrenstelle zu greifen, ohne dass der Akku des Akku-Handcrimpgeräts CT-2500/L oder CT-2500/LE sicher entfernt wurde.
- + Entfernen Sie den Akku des Akku-Handcrimpgeräts CT-2500/L oder CT-2500/LE bevor Sie den Adapter, Werkzeugkopf oder das Gesenk montieren oder auswechseln.



WARNUNG

- + Jeder der mit Arbeiten an dem Gerät beauftragt ist, muss die Betriebsanleitung gelesen und verstanden haben. Er muss während der Durchführung von Arbeiten an oder mit dem Gerät diese Betriebsanleitung beachten!
 - + Das Akku-Handcrimpgerät CT-2500/L oder CT-2500/LE darf nur in technisch einwandfreiem Zustand, sowie sicherheits- und gefahrenbewusst eingerichtet und betrieben werden.
 - + Vor jeder Inbetriebnahme ist zu prüfen, ob ein durch Panduit freigegebener Adapter oder Werkzeugkopf angebracht ist und einwandfrei funktioniert.
 - + Das Akku-Handcrimpgerät CT-2500/L oder CT-2500/LE darf nur mit montierten, durch Panduit freigegebenen Adaptern, Werkzeugköpfen und Gesenken betrieben werden.
 - + Tragen Sie beim Arbeiten mit dem Akku-Handcrimpgerät CT-2500/L oder CT-2500/LE keine lose Kleidung, losen Schmuck oder lange, offene Haare, welche sich in dem Mechanismus verfangen können.
 - + Tragen Sie persönliche Schutzausrüstung und immer eine Schutzbrille. Dies verringert das Risiko von Verletzungen.
 - + Arbeiten Sie sorgfältig.
 - + Bei Feststellung von Mängeln an dem Akku-Handcrimpgerät CT-2500/L oder CT-2500/LE muss die Arbeit unterbrochen und die Störung behoben werden, bevor weiter mit dem Gerät gearbeitet wird.
 - + Es darf nur eine Person an oder mit dem Akku-Handcrimpgerät CT-2500/L oder CT-2500/LE tätig sein.
 - + Es darf nur geschultes Personal an dem Akku-Handcrimpgerät CT-2500/L oder CT-2500/LE tätig werden.
-

- + Vor der Montage des Werkzeugkopfes oder Adapters ist darauf zu achten, dass der Stößel des Gerätes in der untersten Position steht. Sollte der Stößel in der falschen Position stehen, drücken Sie den Bedienungsschalter bis der Stößel automatisch in die unterste Position fährt.
- + Verriegelungsstifte **1** der Werkzeugaufnahme komplett herausziehen.
- + CT-2523CH Adapter von oben aufsetzen (Abb. 7.3).



Aufsetzen CT-2523CH

Abb. 7.3

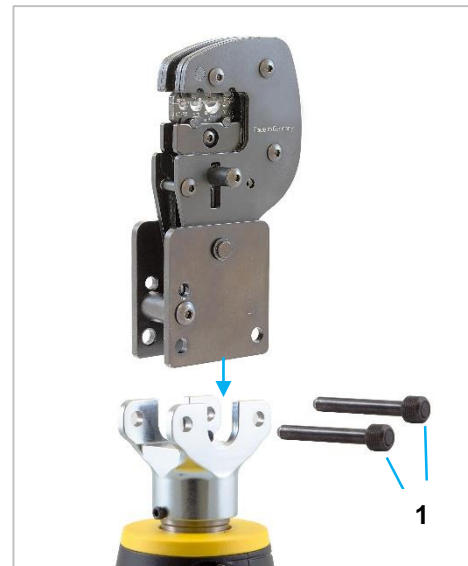
oder:

- + Werkzeugköpfe der Serie CT-25xxCH von oben aufsetzen (Abb. 7.4)



HINWEIS

Die ab März 2016 ausgelieferten CT-25xxCH Werkzeugköpfe wurden den neuen Richtlinien angepasst und optimiert. Bedingt durch das Schließen mit Federmechanismus befindet sich der Werkzeugkopf immer im geschlossenen Zustand.



Aufsetzen CT-25xxCH

Abb. 7.4

- + Nach dem Aufsetzen des Adapters/ Werkzeugkopfs, die Verriegelungsstifte **1** der Werkzeugaufnahme wieder arretieren.



Abb. 7.5

7.3 Ein- und Ausschalten des LEDs zur Ausleuchtung des Arbeitsplatzes

7.3.1 Einschalten des LEDs

- + Entfernen Sie den Akku aus dem Akku-Handcrimpgerät CT-2500/L oder CT-2500/LE.
- + Setzen Sie ihn wieder ein ohne den Bedienungsschalter 1 zu betätigen.

Die LED Lampe 2 leuchtet während und einige Sekunden nach dem Crimpvorgang.

7.3.2 Ausschalten des LEDs

- + Entfernen Sie den Akku aus dem Akku-Handcrimpgerät CT-2500/L oder CT-2500/LE.
- + Betätigen Sie den Bedienungsschalter 1 und halten Sie ihn gedrückt, während Sie den Akku einsetzen.
- + Halten Sie den Bedienungsschalter weitere 3 Sekunden gedrückt.

Die LED Lampe 2 ist ausgeschaltet.



Abb. 7.6

8 Normalbetrieb / Produktionsbetrieb



GEFAHR

- + Es besteht die Restgefahr des Quetschens von Fingern. Versuchen Sie nie, in die Gefahrenstelle zu greifen, ohne dass der Akku des Akku-Handcrimpgeräts CT-2500/L oder CT-2500/LE sicher entfernt wurde.
- + Entfernen Sie den Akku des Akku-Handcrimpgeräts CT-2500/L oder CT-2500/LE bevor Sie den Adapter, Werkzeugkopf oder das Gesenk montieren oder auswechseln.



WARNUNG

- + Betreiben Sie Das Akku-Handcrimpgerät CT-2500/L oder CT-2500/LE nicht, bevor Sie alle Anweisungen gelesen und verstanden haben.
- + Jeder der mit Arbeiten an dem Gerät beauftragt ist, muss die Betriebsanleitung gelesen und verstanden haben. Er muss während der Durchführung von Arbeiten an oder mit dem Gerät diese Betriebsanleitung beachten!
- + Das Akku-Handcrimpgerät CT-2500/L oder CT-2500/LE darf nur in technisch einwandfreiem Zustand, sowie sicherheits- und gefahrenbewusst eingerichtet und betrieben werden.
- + Vor jeder Inbetriebnahme ist zu prüfen, ob ein durch Panduit freigegebener Adapter oder Werkzeugkopf angebracht ist und einwandfrei funktioniert.
- + Das Akku-Handcrimpgerät CT-2500/L oder CT-2500/LE darf nur mit montierten, durch Panduit freigegebenen Adaptern, Werkzeugköpfen und Gesenken betrieben werden.
- + Tragen Sie beim Arbeiten mit dem Akku-Handcrimpgerät CT-2500/L oder CT-2500/LE keine lose Kleidung, losen Schmuck oder lange, offene Haare, welche sich in dem Mechanismus verfangen können.
- + Arbeiten Sie sorgfältig.
- + Bei Feststellung von Mängeln an dem Akku-Handcrimpgerät CT-2500/L oder CT-2500/LE muss die Arbeit unterbrochen und die Störung behoben werden, bevor weiter mit dem Gerät gearbeitet wird.
- + Es darf nur eine Person an oder mit dem Akku-Handcrimpgerät CT-2500/L oder CT-2500/LE tätig sein.
- + Es darf nur geschultes Personal an des Akku-Handcrimpgerät CT-2500/L oder CT-2500/LE tätig werden.



HINWEIS

- + Beim Loslassen des Bedienungsschalters wird der Crimpvorgang unterbrochen. Mit erneutem Betätigen wird der Crimpvorgang bis zur endgültigen Fertigstellung fortgesetzt!

8.1 Crimpvorgang mit CT-25xxCH Werkzeugköpfen

1. Öffnen Sie die Gesenke indem Sie den Hebel des Werkzeugkopfs nach unten drücken.
2. Halten Sie den Hebel gedrückt und legen Sie den Crimpkontakt in das Gesenk. Beachten Sie die korrekte Zuordnung zu dem jeweiligen Crimpprofil und den ordnungsgemäßen Sitz in dem Crimpprofil!
3. Lassen Sie den Hebel los! Die Gesenke schließen automatisch und fixieren so den eingelegten Kontakt.
4. Legen Sie den nach Spezifikation abisolierten Leiter in den Kontakt ein und positionieren Sie diesen.
5. Betätigen Sie den Bedienungsschalter.
6. Halten Sie den Bedienungsschalter gedrückt, bis der Kolben automatisch wieder zurückfährt.
7. Drücken Sie den Hebel des Werkzeugkopfs nach unten und entnehmen Sie den gecrimpten Kontakt.

8.2 Crimpvorgang mit dem CT-2523CH Werkzeugkopf

1. Crimpkontakt in das Gesenk oder den Positionierer einlegen. Gegebenenfalls Positionierer schließen. Beachten Sie die korrekte Zuordnung zu dem jeweiligen Crimpprofil und den ordnungsgemäßen Sitz in dem Crimpprofil!
2. Betätigen Sie den Bedienungsschalter, bis der Kontakt gehalten wird.
3. Legen Sie den nach Spezifikation abisolierten Leiter in den Kontakt ein und positionieren Sie diesen.
4. Betätigen Sie den Bedienungsschalter.
5. Halten Sie den Bedienungsschalter gedrückt, bis der Kolben automatisch wieder zurückfährt.
6. Gecrimpten Kontakt entnehmen.

9 Instandhaltung

9.1 Wartungsplan

GEFAHR



- + Es besteht die Restgefahr des Quetschens von Fingern. Versuchen Sie nie, in die Gefahrenstelle zu greifen, ohne dass der Akku des Akku-Handcrimpgeräts CT-2500/L oder CT-2500/LE sicher entfernt wurde.
 - + Entfernen Sie den Akku des Akku-Handcrimpgeräts CT-2500/L oder CT-2500/LE bevor Sie den Adapter, Werkzeugkopf oder das Gesenk montieren oder auswechseln.
-

WARNUNG



- + Halten Sie die Austausch- und Wartungsintervalle streng ein.
 - + Betreiben Sie das Akku-Handcrimpgerät CT-2500/L oder CT-2500/LE nicht, bevor Sie alle Anweisungen gelesen und verstanden haben.
 - + Jeder der mit Arbeiten an dem Gerät beauftragt ist, muss die Betriebsanleitung gelesen und verstanden haben. Er muss während der Durchführung von Arbeiten an oder mit dem Gerät diese Betriebsanleitung beachten!
 - + Das Akku-Handcrimpgerät CT-2500/L oder CT-2500/LE darf nur in technisch einwandfreiem Zustand, sowie sicherheits- und gefahrenbewusst eingerichtet und betrieben werden.
 - + Vor jeder Inbetriebnahme ist zu prüfen, ob ein durch Panduit freigegebener Adapter oder Werkzeugkopf angebracht ist und einwandfrei funktioniert.
 - + Tragen Sie beim Arbeiten mit dem Akku-Handcrimpgerät CT-2500/L oder CT-2500/LE keine lose Kleidung, losen Schmuck oder lange, offene Haare, welche sich in dem Mechanismus verfangen können.
 - + Arbeiten Sie sorgfältig.
 - + Bei Feststellung von Mängeln an dem Akku-Handcrimpgerät CT-2500/L oder CT-2500/LE muss die Arbeit unterbrochen und die Störung behoben werden, bevor weiter mit dem Gerät gearbeitet wird.
 - + Es darf nur eine Person an oder mit dem Akku-Handcrimpgerät CT-2500/L oder CT-2500/LE tätig sein.
-

Regelmäßige Reinigung und Wartung der von außen zugänglichen Teile erhält die Betriebsbereitschaft des Akku-Handcrimpgeräts CT-2500/L oder CT-2500/LE. Zur Reinigung des Geräts keine fasernden Materialien wie Putzwolle o. ä. verwenden. Das Gerät oder Geräteteile dürfen nicht mit Druckluft gereinigt werden. Das Gerät oder Geräteteile dürfen nicht mit harten Gegenständen wie Spachtel, Stahlwolle o. ä. gereinigt werden. Grobe Verschmutzung und Abrieb absaugen.

9.1.1 Taglich

- + Optische Kontrolle des Akku-Handcrimpgerats CT-2500/L oder CT-2500/LE.
- + Gesenke und Werkzeugkopfe sollten vor jedem Gebrauch in dem Profilbereich gereinigt und auf Beschadigung gepruft werden. Profile leicht einolen!

9.1.2 Nach 10.000 Zyklen oder 2 Jahren

- + Um die Sicherheit und Zuverlassigkeit des Gerates zu gewahrleisten, sollten Reparatur, Wartung oder Einstellungen durch unseren Service durchgefuhrt werden. Senden Sie das Gerat daher an die nachfolgende Service-Adresse:

Service-Adresse:

| | |
|--|---|
| Panduit Electrical Headquarters (USA) 16530 W. 163rd Street Lockport, IL 60441 USA Tel.: 1-800-777-3300 | Panduit EMEA Service Center (EUR) EMEA Tool Service Center Bedrijvenpark Twente 360 7602 KL Almelo tel + 31 546 580 451 |
|--|---|

Halten Sie fur das Gesprach bitte alle notwendigen Informationen bereit, u. a.

- + Geratetyp
- + Seriennummer des Gerats



WARNUNG

- + Beschadigen Sie die Gerateversiegelung (Abb. 4.1, Pos.12) nicht! Bei Beschadigung erlischt der Garantieanspruch.

10 Storungsanalyse / Servicelampe



GEFAHR

- + Es besteht die Restgefahr des Quetschens von Fingern. Versuchen Sie nie, in die Gefahrenstelle zu greifen, ohne dass der Akku des Akku-Handcrimpgerats CT-2500/L oder CT-2500/LE sicher entfernt wurde.
- + Entfernen Sie den Akku des Akku-Handcrimpgerats CT-2500/L oder CT-2500/LE bevor Sie den Adapter, Werkzeugkopf oder das Gesenk montieren oder auswechseln.

WARNUNG



- + Betreiben Sie das Akku-Handcrimpgerät CT-2500/L oder CT-2500/LE nicht, bevor Sie alle Anweisungen gelesen und verstanden haben.
- + Jeder der mit Arbeiten an dem Gerät beauftragt ist, muss die Betriebsanleitung gelesen und verstanden haben. Er muss während der Durchführung von Arbeiten an oder mit dem Gerät diese Betriebsanleitung beachten!
- + Das Akku-Handcrimpgerät CT-2500/L oder CT-2500/LE darf nur in technisch einwandfreiem Zustand, sowie sicherheits- und gefahrenbewusst eingerichtet und betrieben werden.
- + Vor jeder Inbetriebnahme ist zu prüfen, ob ein durch Panduit freigegebener Adapter oder Werkzeugkopf angebracht ist und einwandfrei funktioniert.
- + Tragen Sie beim Arbeiten mit dem Akku-Handcrimpgerät CT-2500/L oder CT-2500/LE keine lose Kleidung, losen Schmuck oder lange, offene Haare, welche sich in dem Mechanismus verfangen können.
- + Arbeiten Sie sorgfältig.
- + Bei Feststellung von Mängeln an dem Akku-Handcrimpgerät CT-2500/L oder CT-2500/LE muss die Arbeit unterbrochen und die Störung behoben werden, bevor weiter mit dem Gerät gearbeitet wird.
- + Es darf nur eine Person an oder mit dem Akku-Handcrimpgerät CT-2500/L oder CT-2500/LE tätig sein.



INFORMATION

- + Bei einer Blockade der Gesenke betätigen Sie den Schieber zum manuellen Rücklauf.

| Service Lampe | Grund | Abhilfe |
|---|--------------------------------------|--|
| Leuchtet für 20 Sek. nach dem Arbeitsvorgang | + Akku ist fast leer. | + Laden Sie den Akku auf. |
| Blinkt 2 mal nach dem Einsetzen des Akkus | + Selbsttest | |
| Blinkt für 20 Sek. in einer Frequenz von 2 Hz nach dem Arbeitsvorgang | | + Senden Sie das Gerät zur Überprüfung an unsere Serviceadresse. |
| Blinkt für 20 Sek. in einer Frequenz von 5 Hz | + Das Gerät ist überhitzt. | + Warten Sie 15 Min. bis das Gerät abgekühlt ist. |
| Leuchtet für 20 Sek. und blinkt anschließend für 20 Sek. in einer Frequenz von 2 Hz | + Der Akku ist entladen oder defekt. | + Senden Sie das Gerät zur Überprüfung an unsere Serviceadresse. |

Bei Problemen steht Ihnen der Panduit Kundendienst zu Verfügung.

Service-Adresse:

| | |
|---|--|
| <p>Panduit Electrical Headquarters (USA) 16530 W. 163rd Street Lockport, IL 60441 USA Tel.: 1-800-777-3300</p> | <p>Panduit EMEA Service Center (EUR) EMEA Tool Service Center Bedrijvenpark Twente 360 7602 KL Almelo tel + 31 546 580 451</p> |
|---|--|

Halten Sie für das Gespräch bitte alle notwendigen Informationen bereit, u. a.

- + Gerätetyp
- Seriennummer des Geräts

11 Außerbetriebnahme, Abbau, Demontage



GEFAHR

- + Es besteht die Restgefahr des Quetschens von Fingern. Versuchen Sie nie, in die Gefahrenstelle zu greifen, ohne dass der Akku des Akku-Handcrimpgeräts CT-2500/L oder CT-2500/LE sicher entfernt wurde.
 - + Entfernen Sie den Akku des Akku-Handcrimpgeräts CT-2500/L oder CT-2500/LE bevor Sie den Adapter, Werkzeugkopf oder das Gesenk montieren oder auswechseln.
-



WARNUNG

- + Tragen Sie beim Arbeiten mit dem Akku-Handcrimpgerät CT-2500/L oder CT-2500/LE keine lose Kleidung, losen Schmuck oder lange, offene Haare, welche sich in dem Mechanismus verfangen können.
 - + Tragen Sie beim Transport und beim Abbau des Akku-Handcrimpgeräts CT-2500/L oder CT-2500/LE geeignete Sicherheitsschuhe.
 - + Arbeiten Sie sorgfältig.
 - + Es darf nur eine Person an oder mit dem Akku-Handcrimpgerät CT-2500/L oder CT-2500/LE tätig sein.
-

12 Lagerung

Um das Akku-Handcrimpgerät CT-2500/L oder CT-2500/LE vor Beschädigungen zu schützen, sollte dieses gereinigt in dem Transportkoffer verstaut und aufbewahrt werden.

13 Entsorgung

Zur Entsorgung des Akku-Handcrimpgeräts CT-2500/L oder CT-2500/LE, ist dieses an Panduit Corporation zurück zu senden.

Mouser Electronics

Authorized Distributor

Click to View Pricing, Inventory, Delivery & Lifecycle Information:

[Panduit:](#)

[CT-2500/L](#)