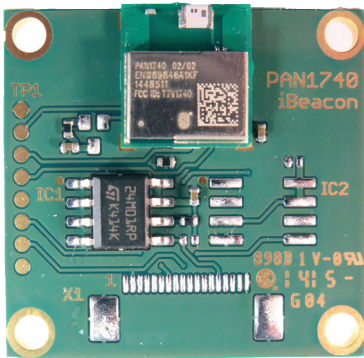


# Bluetooth Low Energy PAN1740 Beacon

Panasonic



## OUTLINES

A Beacon device will transmit its own unique identification number to the local area. Software on a receiving device such as a smartphone app will receive this data and can perform various functions, e.g. present the user with additional information on points of interest or special promotions in a shop. Received beacon transmissions can also be used for ranging or indoor positioning applications in various products.

Using the PAN1740 Beacon will allow the customer to easily realise Beacon applications with limited development efforts. The proven design of the Bluetooth module PAN1740 guarantees quality as well as reliability. Very low power consumption of less than 5mA in Tx mode allow products to run on coin cell batteries for multiple years.

The onboard flash memory can be used for customer applications. The battery holder fits standard CR2032 coin cell batteries. Reference designs for plastic housing as well as software example code is available.

## FEATURES

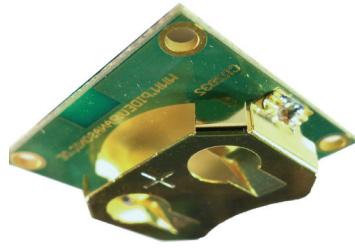
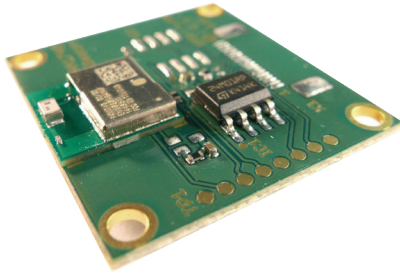
- Based on single-mode BT Smart System-on-Chip PAN1740
- ARM CORTEX M0 with internal 32kB OTP, additional memory
- Small size (26x24mm) with antenna
- Based on FCC/IC/CE certified PAN1740
- Battery holder for CR2032 coin cell
- Reference design for standard housing available
- Approximate battery life 18 months, 700ms advertising interval
- Software SDK / Application Notes available

MODULES  
Panasonic Electronic Devices Europe GmbH  
WIRELESS

Design and Specifications are subject to change without notice. Ask the factory for technical specifications before purchase and/or use. If there is any doubt regarding the safety of this product, kindly inform us immediately for technical consultation.  
The Bluetooth word mark and logos are owned by the Bluetooth SIG, Inc.

PAN1740 Beacon Rev. 0.1

Hardware Status:  
Samples



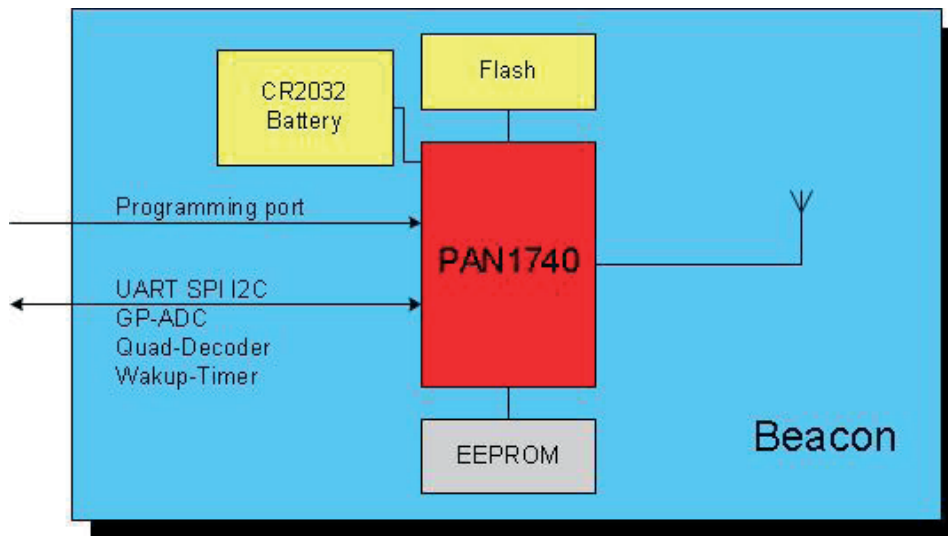
## APPLICATIONS

- Bluetooth Low Energy Tags
- Indoor Positioning
- Advertising in Retail Environment
- Find me Applications
- Product Information via Bluetooth Smart
- Point of Interest
- Mobile Payment

## PART NUMBER

Product	Part Number
PAN1740 Module	ENW89846A1KF
PAN1740 Beacon	ENW89849A1KF
PAN1740 Beacon Evaluation Kit	ENW89849AYKF

## BLOCK DIAGRAM



## TECHNICAL CHARACTERISTICS

Parameter	Value	Condition / Note
Receiver Sensitivity	- 93 dBm	1% PER
Output Power	0 dBm	Maximum setting
Power Supply	2.35 to 3.3 V	Single operation voltage
Transmit Mode	4.9 mA	GFSK
Receive Mode	4.9 mA	GFSK
Operating Temperature Range	-40C / +85C	Industrial Range
Size	26x24 mm	

# Mouser Electronics

Authorized Distributor

Click to View Pricing, Inventory, Delivery & Lifecycle Information:

[Panasonic:](#)

[ENW-89849A1KF](#) [ENW-89849AYKF](#) [ENW-89849AZKF](#) [ENW89849AYKF](#) [ENW89849A1KF](#) [ENW89849AZKF](#)