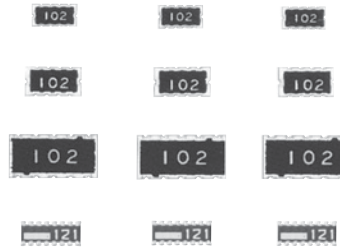


Chip Resistor Networks

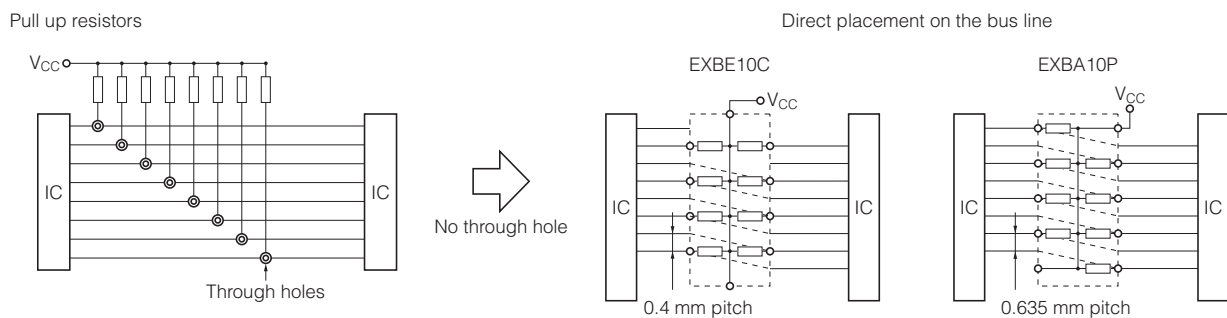
Type: **EXBD**
EXBE
EXBA
EXBQ



Features

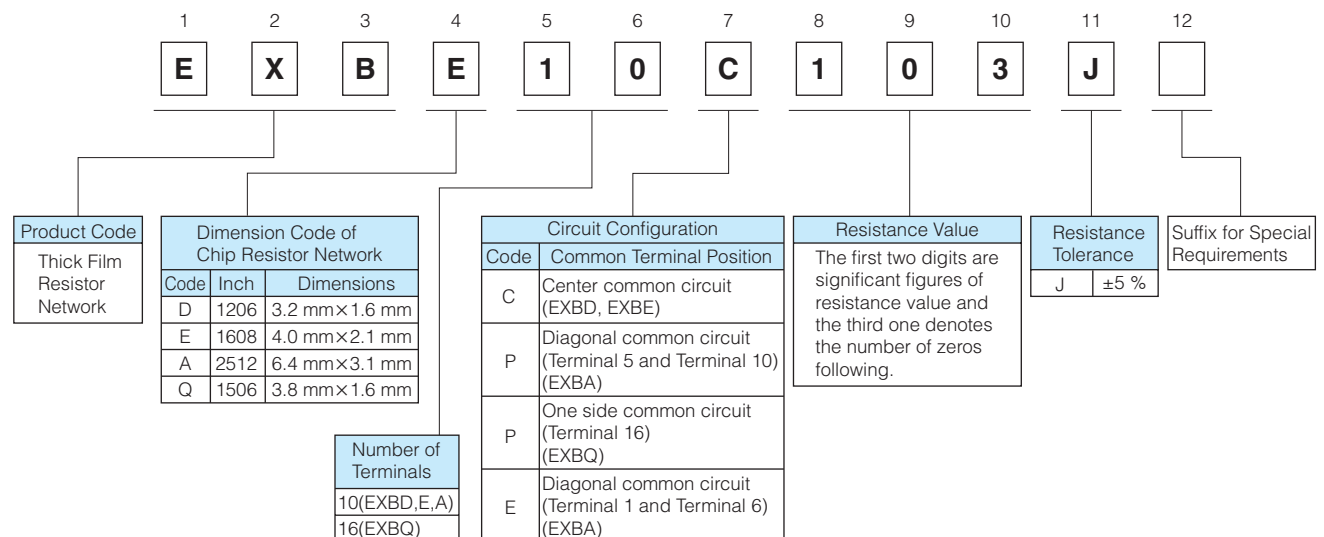
- High density placing for digital signal circuits
 - Bussed 8 or 15 resistors for pull up/down circuits
 - EXBD: 3.2 mm × 1.6 mm × 0.55 mm, 0.635 mm pitch
 - EXBE: 4.0 mm × 2.1 mm × 0.55 mm, 0.8 mm pitch
 - EXBA: 6.4 mm × 3.1 mm × 0.55 mm, 1.27 mm pitch
 - EXBQ: 3.8 mm × 1.6 mm × 0.45 mm, 0.5 mm pitch
 - Available direct placing on the bus line by means of half pitch spacing without through-holes on PWB (“High density placing” is shown below)
- High speed mounting using conventional placing machine
- Reference Standard...IEC 60115-9, JIS C 5201-9, EIAJ RC-2130
- RoHS compliant

[High density placing]

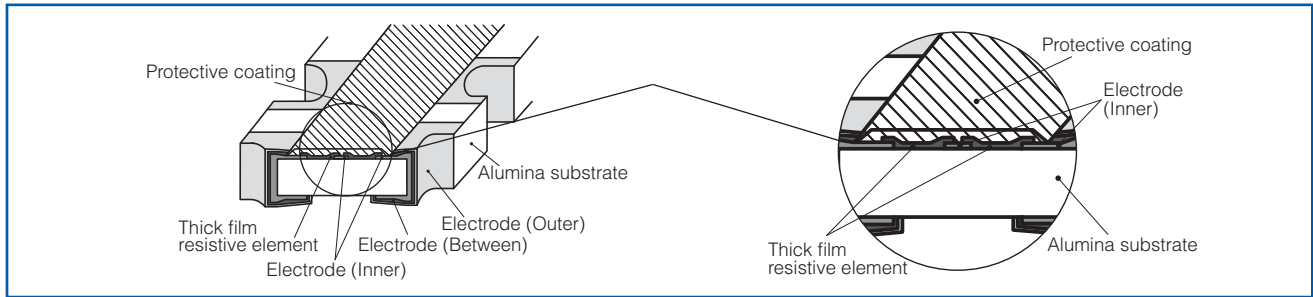


■ **As for Packaging Methods, Land Pattern, Soldering Conditions and Safety Precautions,**
 Please see Data Files

Explanation of Part Numbers



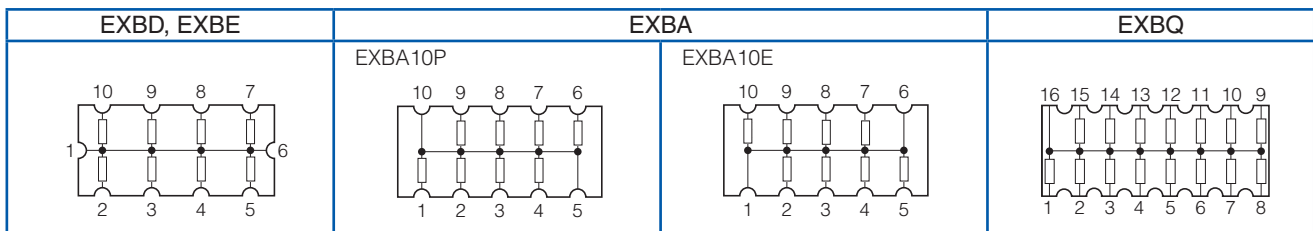
Construction (Example : EXBD)



Dimensions in mm (not to scale)

EXBD	EXBE	EXBA	EXBQ
Mass (Weight)[1000 pcs.] : 10 g	Mass (Weight)[1000 pcs.] : 16 g	Mass (Weight)[1000 pcs.] : 40 g	Mass (Weight)[1000 pcs.] : 9 g

Circuit Configuration



Ratings

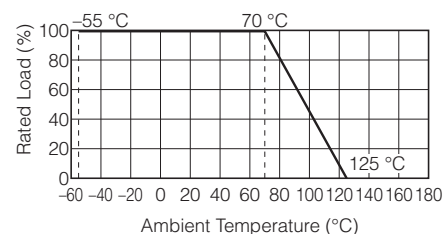
Item	Specifications			
	EXBD	EXBE	EXBA	EXBQ
Resistance Range	47 Ω to 1 MΩ (E12)			100 Ω to 470 kΩ (E6 series)
Resistance Tolerance	±5%			
Number of Terminals	10 terminals			16 terminals
Number of Resistors	8 element			15 element
Power Rating at 70 °C	0.05 W/element	0.063 W/element		0.025 W/element
Limiting Element Voltage ⁽¹⁾	25V		50 V	25V
Maximum Overload Voltage ⁽²⁾	50 V		100 V	50 V
T. C. R.	±200 × 10 ⁻⁶ / °C			
Category Temperature Range	-55 °C to +125 °C			

(1) Rated Continuous Working Voltage (RCWV) shall be determined from $RCWV = \sqrt{\text{Power Rating} \times \text{Resistance Value}}$, or Limiting Element Voltage listed above, whichever less.

(2) Overload (Short-time Overload) Test Voltage (SOTV) shall be determined from $SOTV = 2.5 \times RCWV$ or Maximum Overload Voltage listed above whichever less.

Power Derating Curve

For resistors operated in ambient temperatures above 70 °C, power rating shall be derated in accordance with the figure on the right.



Mouser Electronics

Authorized Distributor

Click to View Pricing, Inventory, Delivery & Lifecycle Information:

Panasonic:

[EXB-A10P563J](#) [EXB-D10C151J](#) [EXB-D10C820J](#) [EXB-E10C680J](#) [EXB-E10C331J](#) [EXB-A10P101J](#) [EXB-A10P102J](#)
[EXB-A10E103J](#) [EXB-D10C750J](#) [EXB-E10C121J](#) [EXB-E10C151J](#) [EXB-A10E472J](#) [EXB-E10C222J](#) [EXB-A10P103J](#)
[EXB-A10P104J](#) [EXB-A10P221J](#) [EXB-A10P332J](#) [EXB-A10P471J](#) [EXB-A10P472J](#) [EXB-A10P473J](#) [EXB-D10C102J](#)
[EXB-D10C103J](#) [EXB-D10C104J](#) [EXB-D10C182J](#) [EXB-D10C183J](#) [EXB-D10C221J](#) [EXB-D10C272J](#) [EXB-](#)
[D10C332J](#) [EXB-D10C472J](#) [EXB-D10C473J](#) [EXB-D10C560J](#) [EXB-D10C683J](#) [EXB-D10C822J](#) [EXB-E10C103J](#)
[EXB-E10C104J](#) [EXB-E10C223J](#) [EXB-E10C272J](#) [EXB-E10C273J](#) [EXB-E10C332J](#) [EXB-E10C472J](#) [EXB-E10C560J](#)
[EXB-Q16P103J](#) [EXB-A10P474J](#) [EXB-A10E152J](#) [EXB-A10E332J](#) [EXB-A10E471J](#) [EXB-A10E681J](#) [EXB-A10E821J](#)
[EXB-D10C333J](#) [EXB-E10C102J](#) [EXB-E10C473J](#) [EXB-D10C222J](#) [EXB-A10P152J](#) [EXB-D10C562J](#) [EXB-A10P222J](#)
[EXB-A10E104J](#) [EXB-A10E222J](#) [EXB-A10E271J](#) [EXB-A10E473J](#) [EXB-A10P105J](#) [EXB-A10P121J](#) [EXB-A10P122J](#)
[EXB-A10P123J](#) [EXB-A10P124J](#) [EXB-A10P151J](#) [EXB-A10P153J](#) [EXB-A10P154J](#) [EXB-A10P181J](#) [EXB-A10P182J](#)
[EXB-A10P183J](#) [EXB-A10P184J](#) [EXB-A10P223J](#) [EXB-A10P224J](#) [EXB-A10P271J](#) [EXB-A10P272J](#) [EXB-A10P273J](#)
[EXB-A10P274J](#) [EXB-A10P331J](#) [EXB-A10P333J](#) [EXB-A10P334J](#) [EXB-A10P391J](#) [EXB-A10P392J](#) [EXB-A10P393J](#)
[EXB-A10P394J](#) [EXB-A10P470J](#) [EXB-A10P512J](#) [EXB-A10P560J](#) [EXB-A10P561J](#) [EXB-A10P562J](#) [EXB-A10P564J](#)
[EXB-A10P680J](#) [EXB-A10P681J](#) [EXB-A10P682J](#) [EXB-A10P683J](#) [EXB-A10P684J](#) [EXB-A10P820J](#) [EXB-A10P821J](#)
[EXB-A10P822J](#) [EXB-A10P823J](#) [EXB-A10P824J](#)