

Current Sensing Resistors, Metal Plate Type

Type: **ERJM1W**



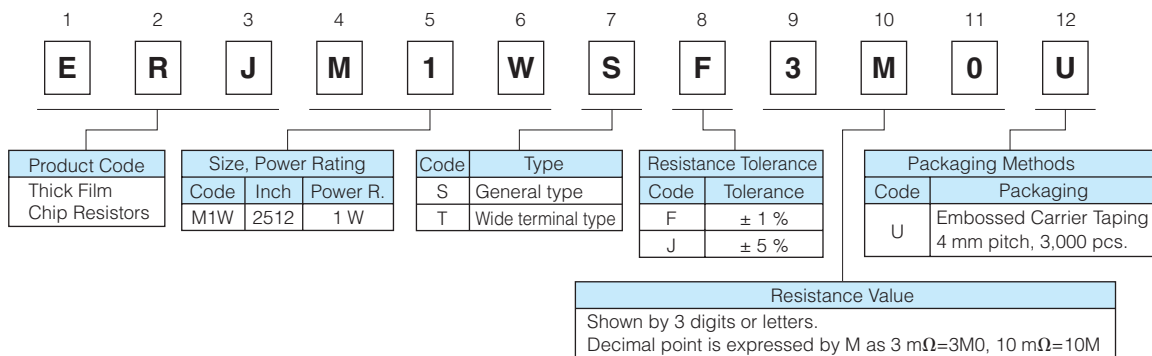
Features

- Low resistance values and high precision (1 mΩ to 20 mΩ)
- Stable resistance not influenced by measurement position
- High heat emission
- Low profile, strong body
- Inductance less than 1.0 nH for the metal plate structure
- RoHS compliant

As for Packaging Methods, Soldering Conditions and Safety Precautions,

Please see Data Files

Explanation of Part Numbers



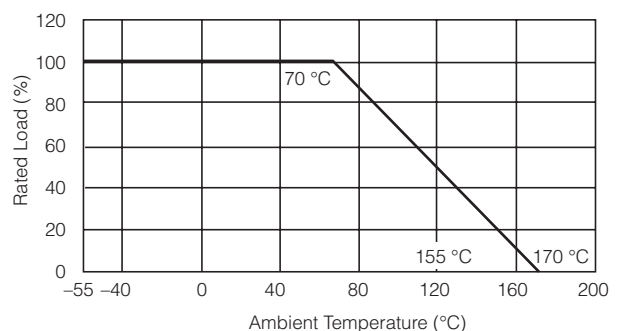
Ratings

Part No. (inch size)	Power Rating at 70 °C (W)	Standard Resistance (mΩ)	Resistance Tolerance (%)	T.C.R. ($\times 10^{-6}/^{\circ}\text{C}$)	Category Temperature Range (°C)	Circuit board of use
ERJM1WS (2512)	1	3, 4	F: ±1, J: ±5	±350	-55 to +170	You should use the aluminum substrate when the added wattage exceeds 0.5 W.
		5, 6, 10, 15, 20		±100		
ERJM1WT (2512)		1, 1.5		350±100		
		2, 3, 4		100±50		

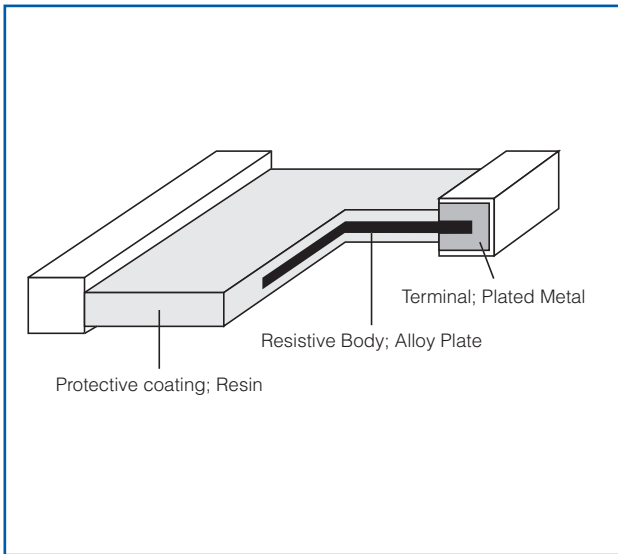
* Please contact the factory for other values and the range

Power Derating Curve

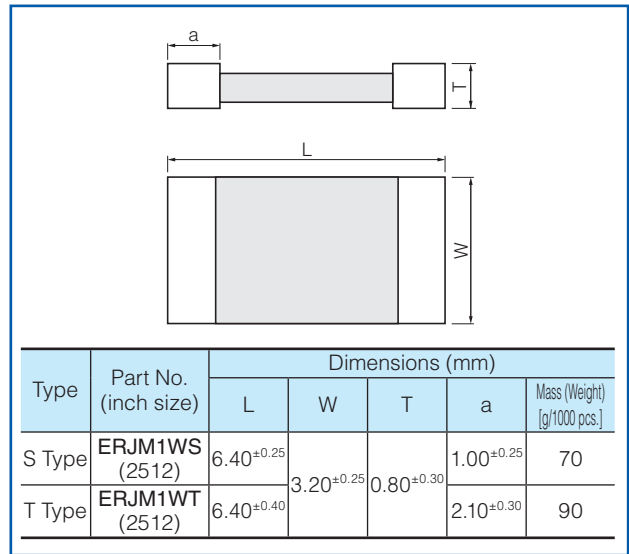
For resistors operated in ambient temperatures above 70 °C, power rating shall be derated in accordance with the figure on the right.



Construction

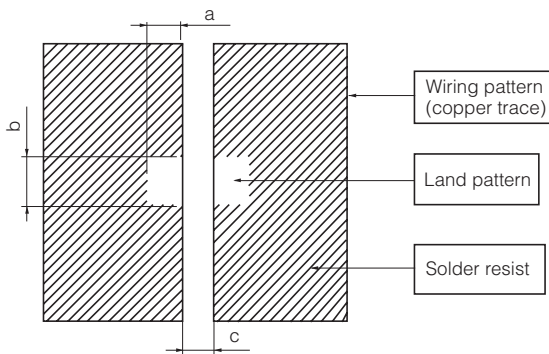


Dimensions in mm (not to scale)



Recommended Land Pattern

- An example of a land pattern



Part No.	Dimensions (mm)		
	a	b	c
ERJM1WS	2.1	3.4	4.2
ERJM1WT	3.1	3.4	2.2

Mouser Electronics

Authorized Distributor

Click to View Pricing, Inventory, Delivery & Lifecycle Information:

Panasonic:

[ERJ-M1WSJ6M0U](#) [ERJ-M1WSJ3M0U](#) [ERJ-M1WSJ12MU](#) [ERJ-M1WSJ15MU](#) [ERJ-M1WSJ16MU](#) [ERJ-M1WSJ4M0U](#) [ERJ-M1WSJ5M0U](#) [ERJ-M1WSJ8M0U](#) [ERJ-M1WSF10MU](#) [ERJ-M1WSF12MU](#) [ERJ-M1WSF15MU](#) [ERJ-M1WSF20MU](#) [ERJ-M1WSF3M0U](#) [ERJ-M1WSF4M0U](#) [ERJ-M1WSF5M0U](#) [ERJ-M1WSF8M0U](#) [ERJ-M1WSJ10MU](#) [ERJ-M1WSJ20MU](#) [ERJ-M1WTF2M0U](#) [ERJ-M1WTF3M0U](#) [ERJ-M1WTF4M0U](#) [ERJ-M1WTJ1M0U](#) [ERJ-M1WTJ1M5U](#) [ERJ-M1WTJ2M0U](#) [ERJ-M1WTJ3M0U](#) [ERJ-M1WTF2M5U](#) [ERJ-M1WSF7M0U](#) [ERJ-M1WSF6M0U](#) [ERJ-M1WSF16MU](#) [ERJ-M1WTF1M0U](#) [ERJ-M1WTF1M5U](#) [ERJ-M1WSF3M5U](#) [ERJ-M1WSF6MU](#) [ERJ-M1WSJ7M0U](#) [ERJ-M1WTJ4M0U](#) [ERJ-M03NF10MV](#) [ERJ-M03NJ10MV](#) [ERJ-M1WSF18MU](#)