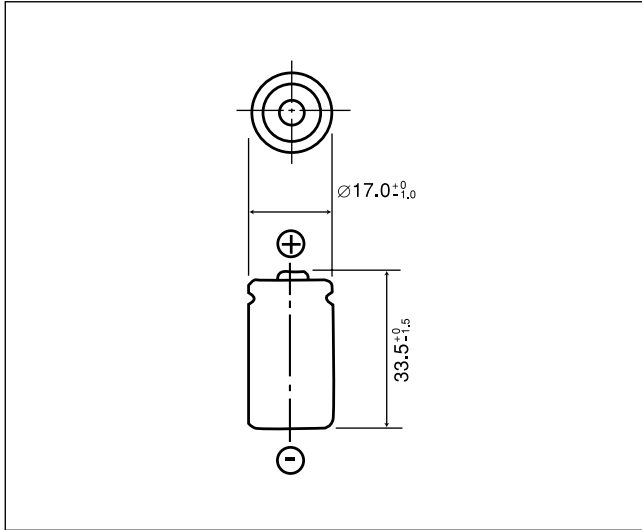


BR-2/3AG

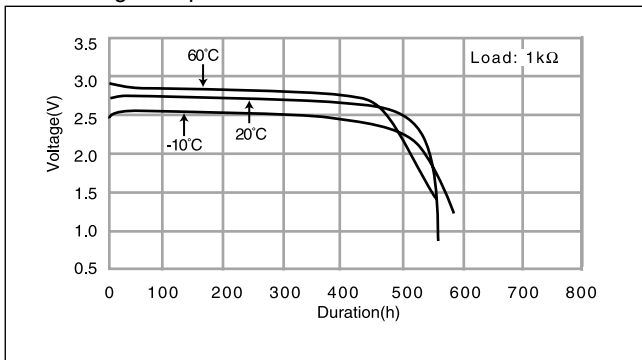
■ Dimensions(mm)



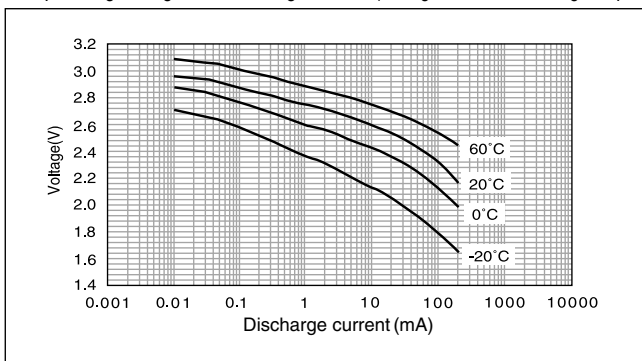
■ Specification

| | |
|---------------------------|------------|
| Nominal voltage(V) | 3 |
| Nominal capacity(mAh) | 1,450 |
| Continuous drain(mA) | 2.5 |
| Operating temperature(°C) | -40 to +85 |

■ Discharge temperature characteristics

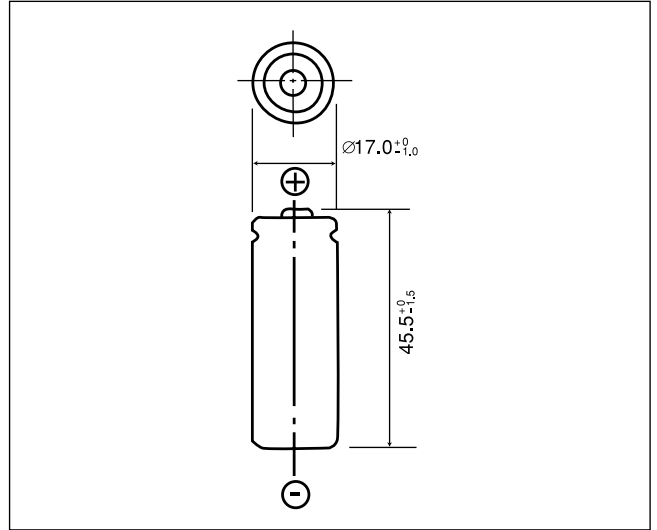


■ Operating voltage vs. Discharge current(voltage at 50% discharge depth)



BR-A

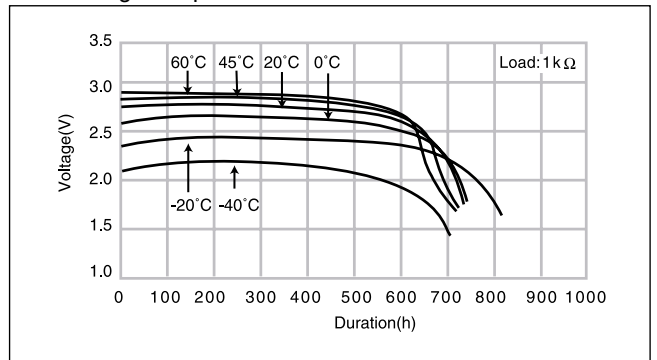
■ Dimensions(mm)



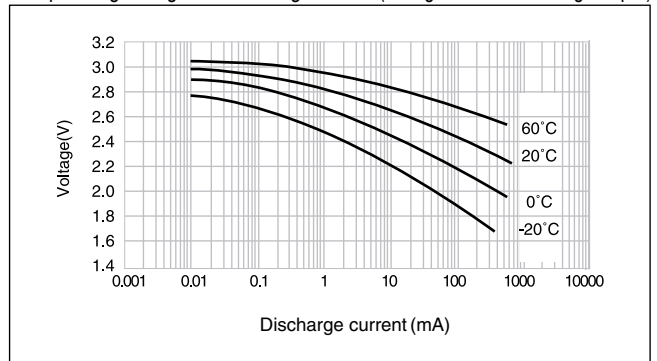
■ Specification

| | |
|---------------------------|------------|
| Nominal voltage(V) | 3 |
| Nominal capacity(mAh) | 1,800 |
| Continuous drain(mA) | 2.5 |
| Operating temperature(°C) | -40 to +85 |

■ Discharge temperature characteristics



■ Operating voltage vs. Discharge current(voltage at 50% discharge depth)



Mouser Electronics

Authorized Distributor

Click to View Pricing, Inventory, Delivery & Lifecycle Information:

[Panasonic:](#)

[BR-AE2SP](#)