

CRV3

LITHIUM MANGANESE DIOXIDE



Features & Benefits

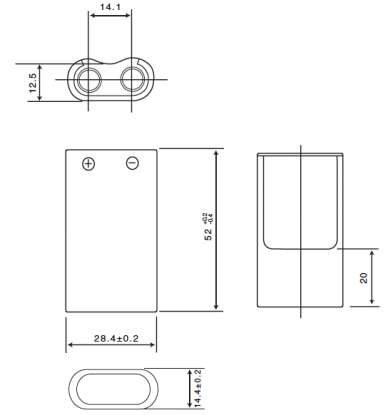
- Operating temperature range between -40° C to +70° C
- High current pulse discharge capability
- Stable voltage level during discharge
- High safety and reliability

Specifications

Nominal Capacity:	3000 mAh
Nominal Voltage:	3V
Weight:	Approximately 39g
Operating Temperature:	-40°C - +70°C*

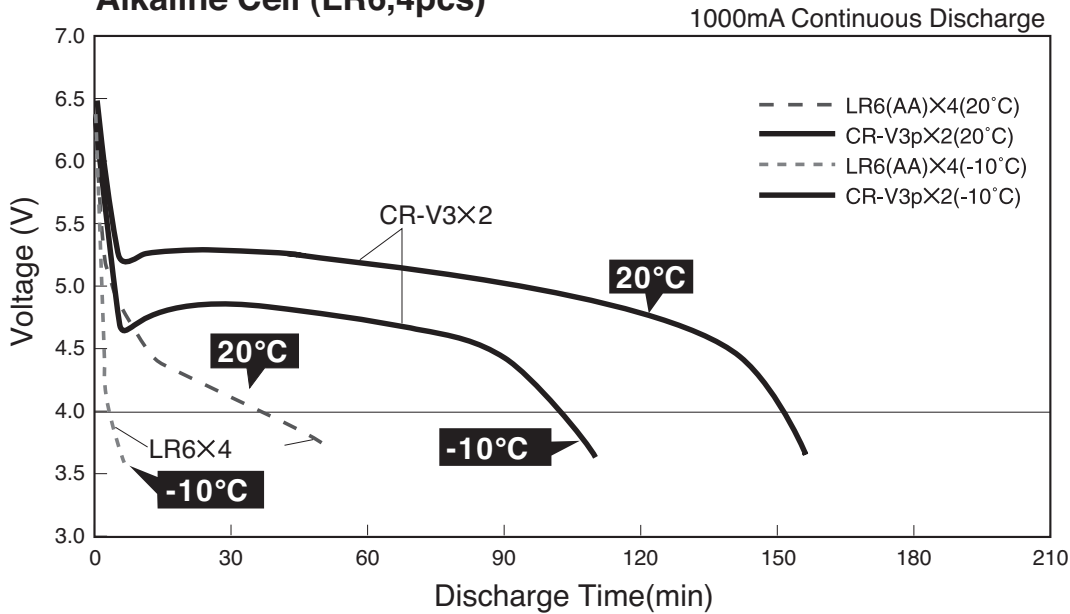
*Please consult Panasonic for use below and above -20°C to +60°C

Dimensions



Discharge Characteristics

Discharge Characteristics of CR-V3p(2pc)and" AA" Alkaline Cell (LR6,4pcs)



Mouser Electronics

Authorized Distributor

Click to View Pricing, Inventory, Delivery & Lifecycle Information:

[Panasonic:](#)

[CR-V3](#)