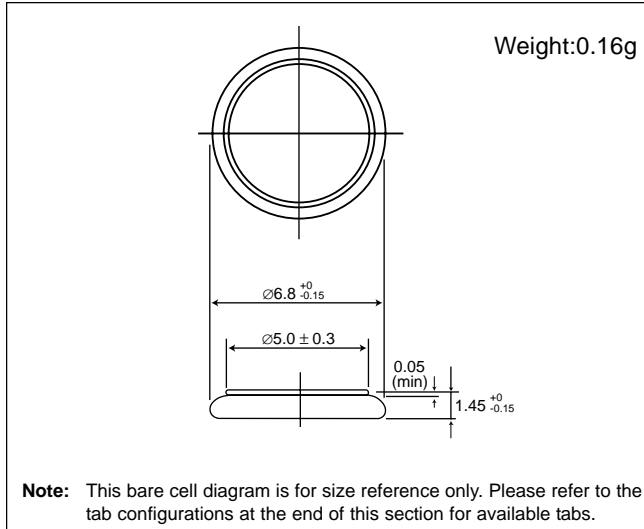


Manganese Lithium Coin Batteries (ML series): Individual Specifications

ML614

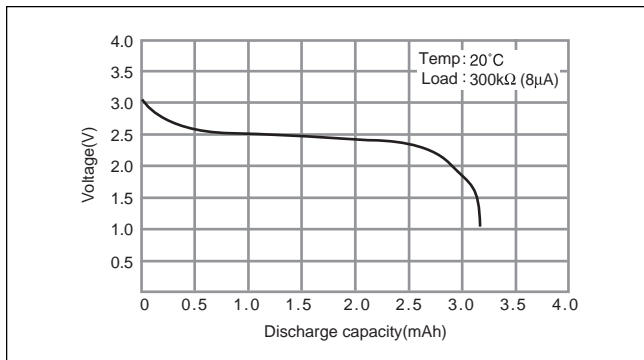
□ Dimensions(mm)



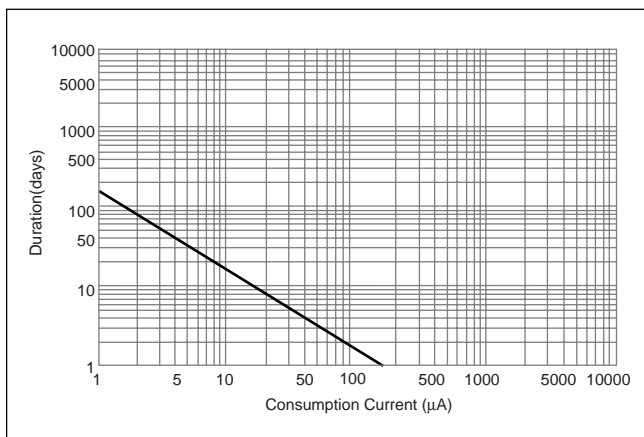
□ Specification

Nominal voltage (V)	3
Nominal capacity (mAh)	3.4
Continuous standard load (mA)	0.01
Operating temperature (C)	-20 ~ +60

□ Discharge characteristics

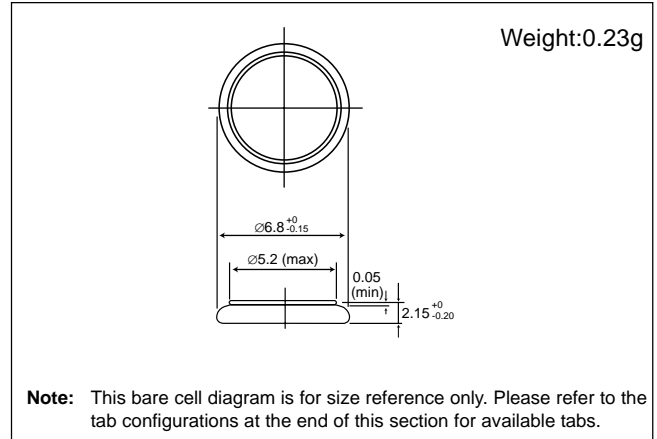


□ Consumption current vs. Duration time



ML621

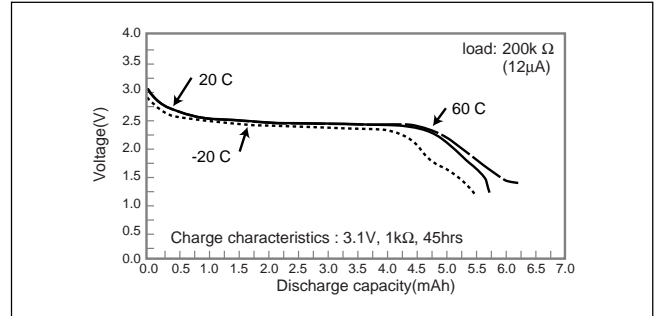
□ Dimensions(mm)



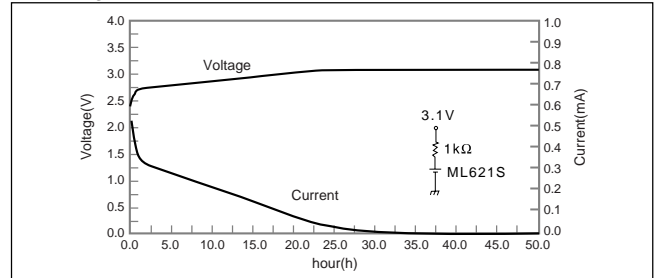
□ Specification

Nominal voltage (V)	3
Nominal capacity (mAh)	5
Continuous standard load (mA)	0.01
Operating temperature (C)	-20 ~ +60

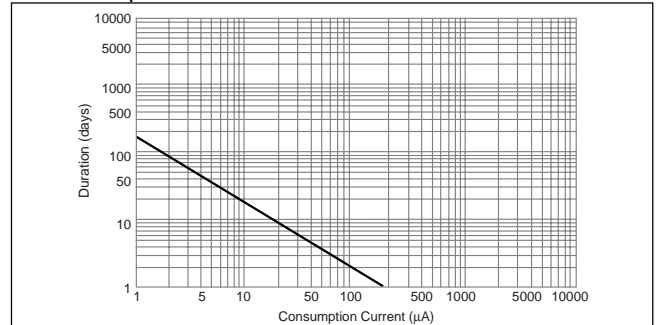
□ Discharge characteristics



□ Charge characteristics



□ Consumption current vs. Duration time



Mouser Electronics

Authorized Distributor

Click to View Pricing, Inventory, Delivery & Lifecycle Information:

[Panasonic:](#)

[ML-614S/DN](#) [ML-614S/FN](#) [ML-614S/ZTN](#) [ML-621S/DN](#) [ML-621S/ZTN](#) [ML-621S/FDDN](#)