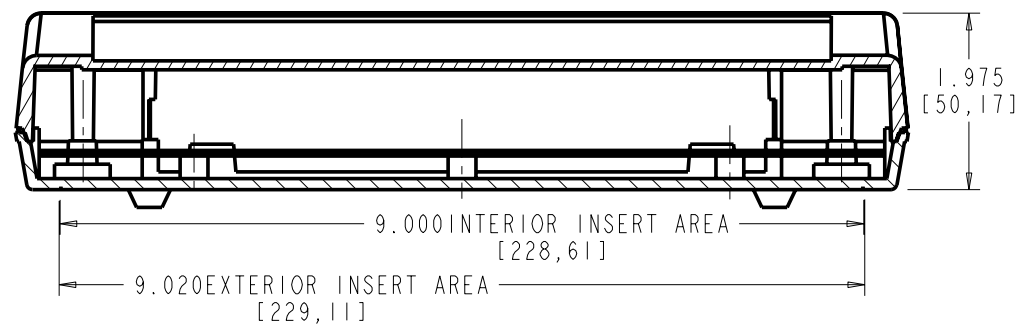
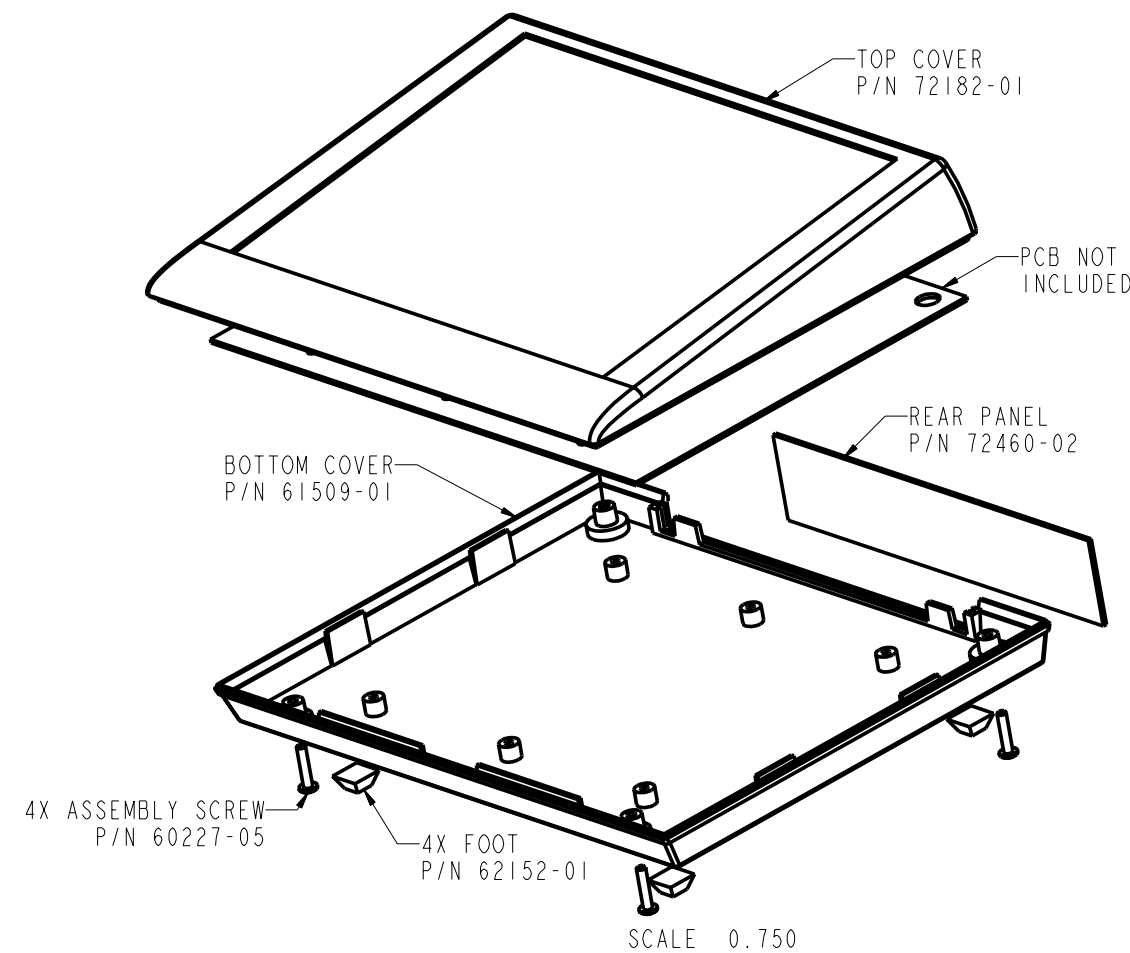
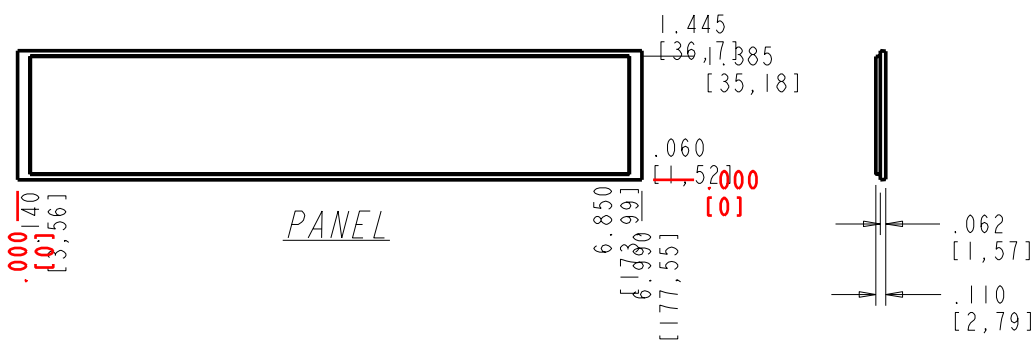
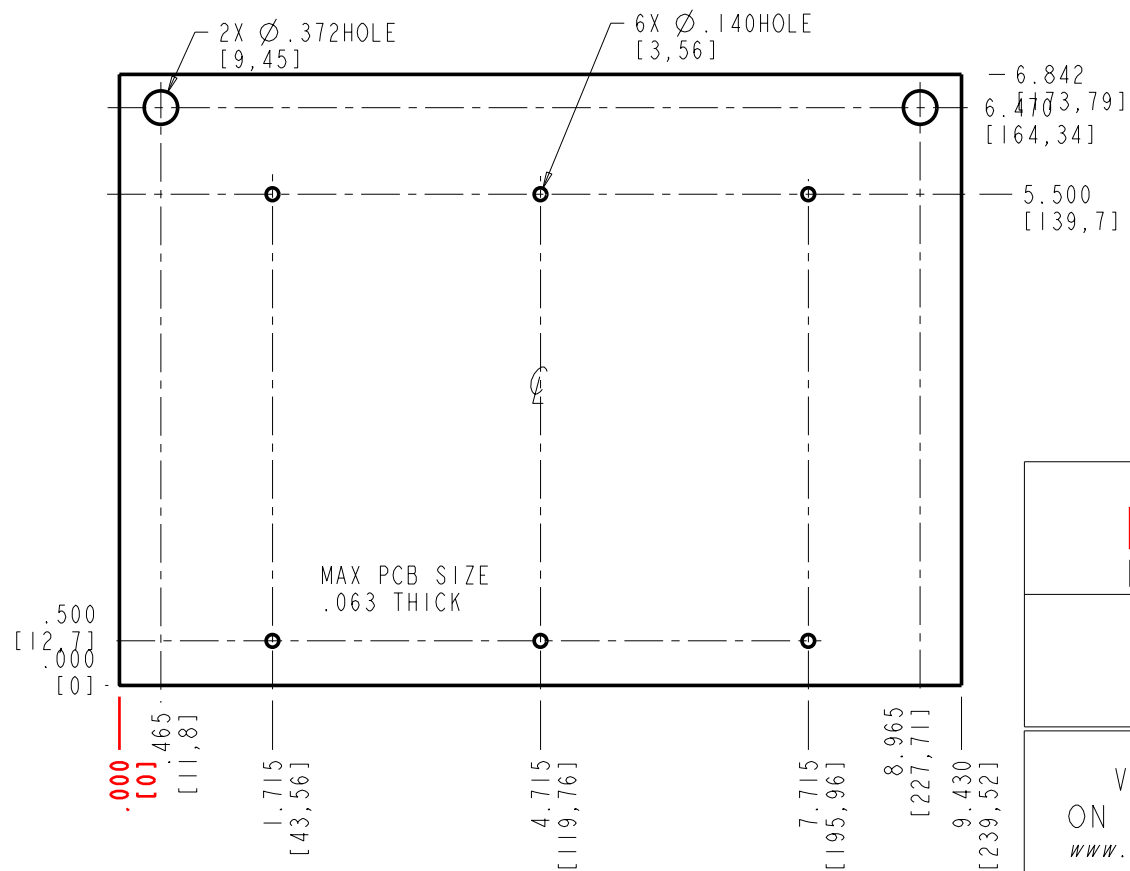


SECTION A-A



SECTION B-B



PANEL

PACNTEC[®]
 1-610-361-4231

KEU10-LP

VISIT **PACNTEC**[®]
 ON THE WORLD WIDE WEB
www.pactecenclosures.com

COLOR / MATERIAL CODE		
COLOR	94HB	94VO
BLACK	000	028
P.C.BONE	039	060

DRAWING NUMBER	REV
72571	C

Mouser Electronics

Authorized Distributor

Click to View Pricing, Inventory, Delivery & Lifecycle Information:

PacTec:

[71884-16-028 LH57-130 Black](#) [72460-02-028 KEU-10LP Black](#) [72557-510-039 KEU-10LP Bone Kit](#) [72556-510-000 KEU-10LP Black Kit](#) [74208-510-000 LH96-130 Black Kit](#) [60224-02-028](#)