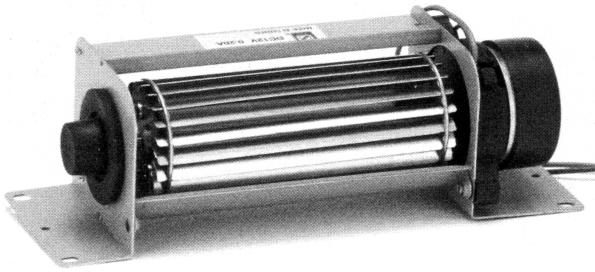


DC BLOWERS



ODB308L Series Metal Construction



OPERATING TEMPERATURE
-10C ~ +70C

LIFE EXPECTANCY
60,000 hours (L10)

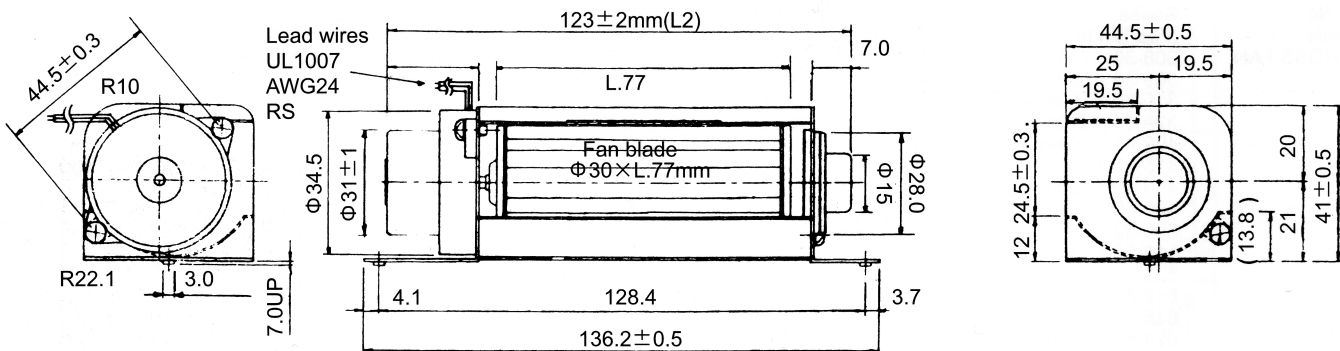
MOTOR
Brushless DC, Locked rotor and polarity protected, auto restart

INSULATION RESISTANCE
Min. 10M at 500VDC

DIELECTRIC STRENGTH
1 minute at 500VAC /
1 second, max leakage 500 microamp

MODEL NUMBER	SPEED (RPM)	AIRFLOW (CFM)	NOISE (DB)	VOLTS DC	VOLTAGE RANGE	AMPS	MAX. STATIC PRESSURE (H ₂ O)
ODB308L-12HB	4000	15	36	12	8~14	0.18	0.08
ODB308L-12MB	2800	12	33	12	8~14	0.15	0.05
ODB308L-12LB	1800	7	28	12	8~14	0.10	0.04

05VDC and 24VDC available by special order. (minimums may apply)



Mouser Electronics

Authorized Distributor

Click to View Pricing, Inventory, Delivery & Lifecycle Information:

[Orion Fans:](#)

[ODB308L-12MB](#)