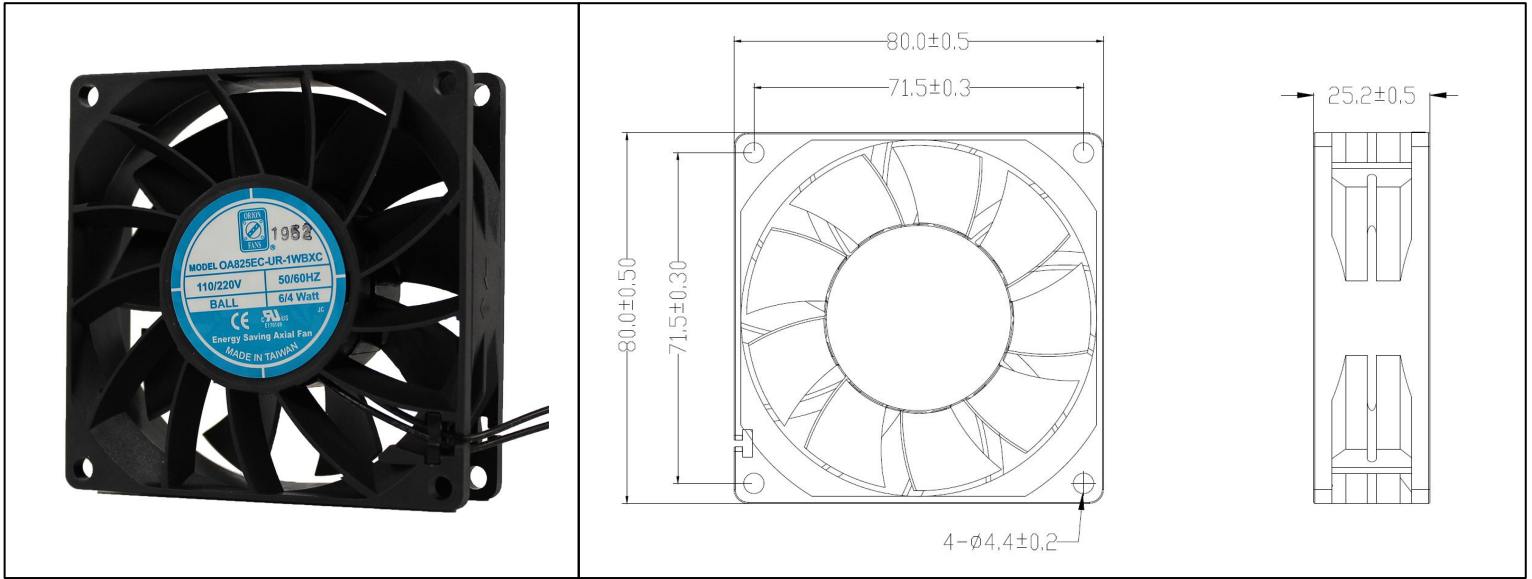


# OA825EC XC Series



EC Fan Universal Voltage  
80x25mm (3.15" x 0.98")



Frame	PBT UL94V0- Plastic	<u>Operating Temperature</u> -10C ~ +70C  <u>Storage Temperature</u> -40C ~ +75C  <u>Life Expectancy</u> 70,000 hours (L10 at 40C)  Weight: ~ 0.17 lbs  m0	
Impeller	PBT UL94V0- Plastic		
Connection	Wire Leads		
Motor	AC-DC Energy Saving, Electronically Protected		
Bearing System	Dual Ball Bearings		
Dielectric Strength	1500VAC/min		

Part Number	OA825EC-UR-1WBXC
Rated Voltage	110/220 VAC
Voltage Range	85 ~ 265
Rated Input	6 ~ 4 (2.2)W
Rated Speed (RPM)	3000
Airflow (CFM)	40.2
Noise Level (dB)	38
Max. Static Pressure	0.2"H <sub>2</sub> O

# Mouser Electronics

Authorized Distributor

Click to View Pricing, Inventory, Delivery & Lifecycle Information:

[Orion Fans:](#)

[OA825EC-UR-1WBXC](#)