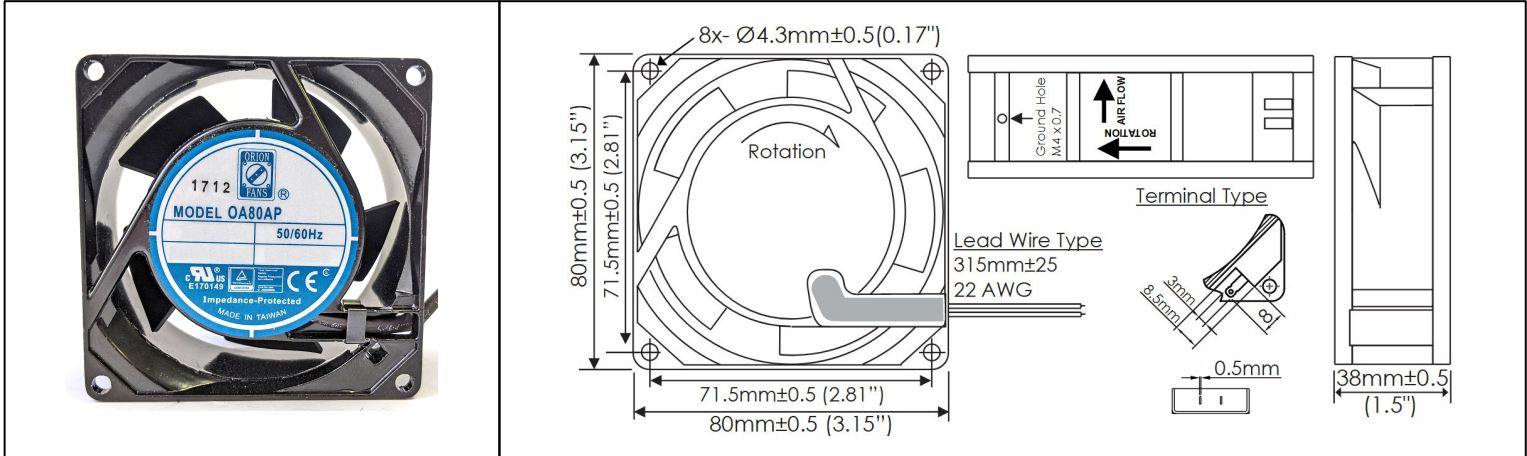


OA80AP Series



AC Fans - 115, 230V
80mm x 38mm (3" x 1.5")



Frame	Die Cast Aluminum, Black Finish	Operating Temperature -20°C ~ +80°C (Ball Bearing) -10°C ~ +50°C (Sleeve Bearing) Storage Temperature -40°C ~ +80°C (Ball Bearing) Life Expectancy 60K Hours (L10 @ 30°C, Ball) 30K Hours (L10 @ 30°C, Sleeve) Weight: 0.62 lbs	
Impeller	PBT, UL94 V-0 Plastic		
Connection	2x Lead Wires, 22 AWG, or Terminals		
Motor	Shaded Pole, Single Phase, Impedance Protected		
Bearing System	Ball, or Sleeve Bearings		
Dielectric Strength	1500VAC/min, <1mA		
Insulation Resistance	≥10M Ohm @ 500 VAC		

Part Number	Rated Voltage (Volts AC)	Voltage Range (Volts AC)	Frequency (Hertz)	Input Power (Watts)	Rated Speed (RPM)	Airflow (CFM)	Noise Level (dBA)	Max. Static Pressure (\"H2O)
OA80AP-11-1*B	115	100 ~ 125	50 / 60	14 / 12	2400 / 2800	25 / 30	31.3 / 34.2	0.15 / 0.21
OA80AP-11-2*B	115	100 ~ 125	50 / 60	11 / 9	2100 / 2375	21 / 23	24.1 / 26.3	0.12 / 0.16
OA80AP-11-3*B	115	100 ~ 125	50 / 60	7 / 5	1750 / 1725	17 / 16	20.4 / 20.1	0.11 / 0.09
OA80AP-22-1*B	230	200 ~ 245	50 / 60	14 / 12	2400 / 2800	25 / 30	31.3 / 34.2	0.15 / 0.21
OA80AP-22-2*B	230	200 ~ 245	50 / 60	11 / 9	2100 / 2375	21 / 23	24.1 / 26.3	0.12 / 0.16
OA80AP-22-3*B	230	200 ~ 245	50 / 60	7 / 5	1750 / 1725	17 / 16	20.4 / 20.1	0.11 / 0.09

*Insert "T" for Terminal Connection, "W" for Wire Leads

Mouser Electronics

Authorized Distributor

Click to View Pricing, Inventory, Delivery & Lifecycle Information:

Orion Fans:

[OA80AP-11/22-1WS](#) [OA80AP-11/22-3WS](#) [OA80AP-11-2WS](#) [OA80AP-11-2TS](#) [OA80AP-11-3TS](#) [OA80AP-22-2WS](#)
[OA80AP-22-2TS](#) [OA80AP-11/22-2WS](#) [OA80AP-22-1TS](#) [OA80AP-22-3TS](#) [OA80AP-22-3WS](#) [OA80AP-11-3WS](#)
[OA80AP-1/2-3WB](#) [OA80AP-1/2-2WB](#) [OA80AP-1/2-1WB](#) [OA80AP-22-1WS](#) [OA80AP-1/2-3TB](#) [OA80AP-1/2-2TB](#)
[OA80AP-11/22-2TB](#) [OA80AP-11/22-3TB](#)