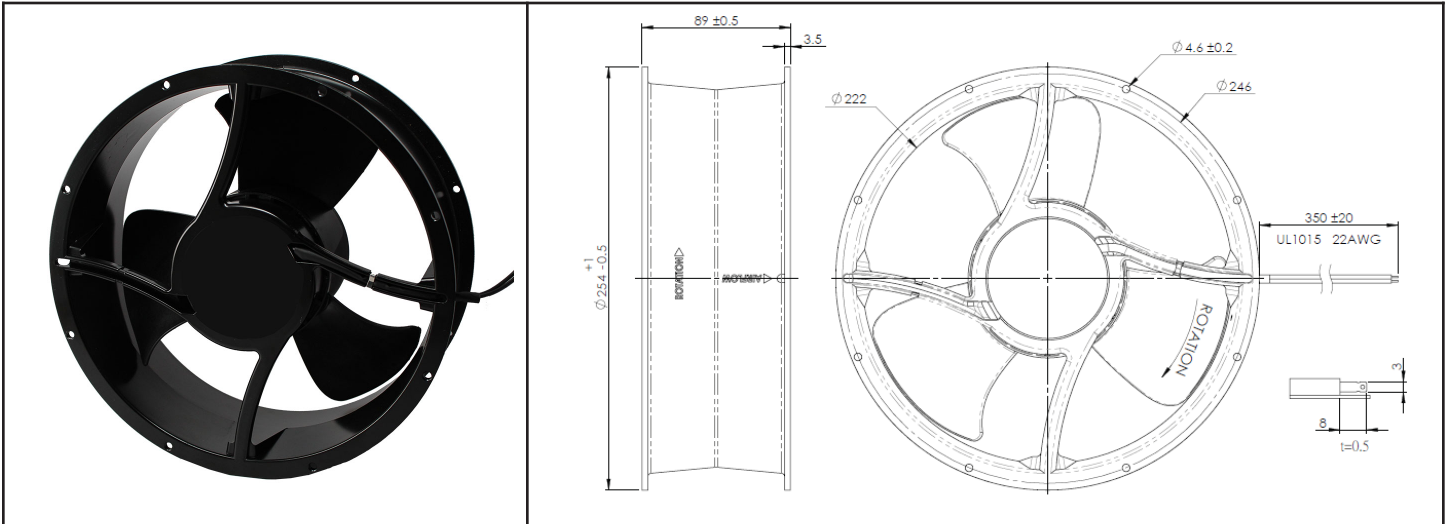


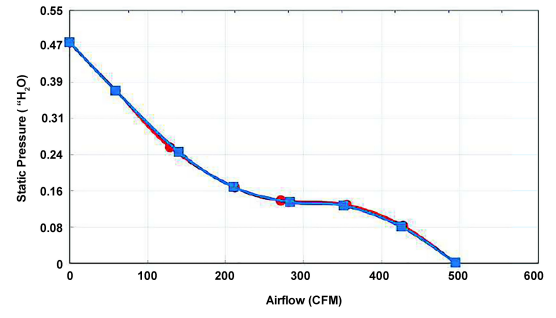
OA254EC IP68-ATEX Series



EC Fan Universal Voltage
254x89mm (10.0"x 3.5")



| | | |
|-----------------------|---|---|
| Frame | Diecast Aluminum | <u>Operating Temperature</u> Ball Bearing -20C ~ +70C |
| Impeller | PBT UL94V0- Plastic | |
| Connection | 2x 350mm Lead wires (22AWG) or terminals | <u>Life Expectancy</u> Ball Bearing 60,000 hours (L10 at 40C) |
| Motor | Brushless EC motor, electronically protected | |
| Bearing System | Dual ball | IP68 Rating with ATEX Certification |
| Insulation Resistance | >10M ohm between lead-wire and frame (500VDC) | |
| Dielectric Strength | 1 sec at 1800 VAC, 50/60Hz | Weight: ~ 4.61 lbs |
| | | Storage Temperature -30C ~ +75C |
| | | m2 |



| | |
|----------------------|-----------------------|
| Part Number | OA254EC-UR-1 * IP68A |
| Nominal Voltage | 95-264 VAC |
| Rated Power | 21W/22W (115/230VAC) |
| Rated Current | 0.35A/0.21A |
| Frequency (Hz) | 50 / 60 |
| Rated Speed (RPM) | 1700 |
| Airflow (CFM) | 500 |
| Noise Level (dB) | 56 |
| Max. Static Pressure | 0.48"H ₂ O |

* Indicate "TB" (Terminal Ball Bearing), "WB" (13.78" Wire Leads, Ball Bearing)

Mouser Electronics

Authorized Distributor

Click to View Pricing, Inventory, Delivery & Lifecycle Information:

Orion Fans:

[OA254EC-UR-1TBIP68A](#) [OA254EC-UR-1WBIP68A](#)