



Is Now Part of



ON Semiconductor®

To learn more about ON Semiconductor, please visit our website at
www.onsemi.com

Please note: As part of the Fairchild Semiconductor integration, some of the Fairchild orderable part numbers will need to change in order to meet ON Semiconductor's system requirements. Since the ON Semiconductor product management systems do not have the ability to manage part nomenclature that utilizes an underscore (_), the underscore (_) in the Fairchild part numbers will be changed to a dash (-). This document may contain device numbers with an underscore (_). Please check the ON Semiconductor website to verify the updated device numbers. The most current and up-to-date ordering information can be found at www.onsemi.com. Please email any questions regarding the system integration to Fairchild_questions@onsemi.com.

ON Semiconductor and the ON Semiconductor logo are trademarks of Semiconductor Components Industries, LLC dba ON Semiconductor or its subsidiaries in the United States and/or other countries. ON Semiconductor owns the rights to a number of patents, trademarks, copyrights, trade secrets, and other intellectual property. A listing of ON Semiconductor's product/patent coverage may be accessed at www.onsemi.com/site/pdf/Patent-Marking.pdf. ON Semiconductor reserves the right to make changes without further notice to any products herein. ON Semiconductor makes no warranty, representation or guarantee regarding the suitability of its products for any particular purpose, nor does ON Semiconductor assume any liability arising out of the application or use of any product or circuit, and specifically disclaims any and all liability, including without limitation special, consequential or incidental damages. Buyer is responsible for its products and applications using ON Semiconductor products, including compliance with all laws, regulations and safety requirements or standards, regardless of any support or applications information provided by ON Semiconductor. "Typical" parameters which may be provided in ON Semiconductor data sheets and/or specifications can and do vary in different applications and actual performance may vary over time. All operating parameters, including "Typicals" must be validated for each customer application by customer's technical experts. ON Semiconductor does not convey any license under its patent rights nor the rights of others. ON Semiconductor products are not designed, intended, or authorized for use as a critical component in life support systems or any FDA Class 3 medical devices or medical devices with a same or similar classification in a foreign jurisdiction or any devices intended for implantation in the human body. Should Buyer purchase or use ON Semiconductor products for any such unintended or unauthorized application, Buyer shall indemnify and hold ON Semiconductor and its officers, employees, subsidiaries, affiliates, and distributors harmless against all claims, costs, damages, and expenses, and reasonable attorney fees arising out of, directly or indirectly, any claim of personal injury or death associated with such unintended or unauthorized use, even if such claim alleges that ON Semiconductor was negligent regarding the design or manufacture of the part. ON Semiconductor is an Equal Opportunity/Affirmative Action Employer. This literature is subject to all applicable copyright laws and is not for resale in any manner.



SG6846C

Highly Integrated Green-Mode PWM Controller

Features

- Low Start-up Current: 8 μ A
- Low Operating Current: 3.7mA
- Peak-current Mode Operation with Cycle-by-cycle Current Limiting
- PWM Frequency Continuously Decreasing with Burst Mode at Light Loads
- V_{DD} Over-Voltage Protection (OVP)
- AC Input Brownout Protection with Hysteresis
- Constant Output Power Limit (Full AC Input Range)
- Internal Latch Circuit for OVP, OTP, and OCP
- Two-level OCP Delay: 110ms
- Programmable PWM Frequency with Frequency Hopping
- OCP Threshold is Half Peak Current Limit
- Feedback Open-loop Protection with 110ms Delay
- Soft Start-up Time: 5ms

Applications

General-purpose switch mode power supplies and flyback power converters, including:

- Power Adapters
- Open-frame SMPS
- SMPS with Surge-current Output, such as for Printers, Scanners, Motor Drivers

Description

A highly integrated PWM controller, SG6846C provides several features to enhance the performance of flyback converters. To minimize standby power consumption, a proprietary green-mode function provides off-time modulation to continuously decrease the switching frequency under light-load conditions. Under zero-load conditions, the power supply enters burst-mode, which completely shuts off PWM output. Output restarts just before the supply voltage drops below the UVLO lower limit. This green-mode function enables power supplies to meet international power conservation requirements.

The SG6846C is designed for SMPS with surge-current output, incorporated with a two-level OCP function. Besides the cycle-by-cycle current limiting, if the switching current is higher than OCP threshold and lasts for 110ms, SG6846C shuts down immediately. SG6846C also integrates frequency-hopping function internally, which helps reduce EMI emission of a power supply with minimum line filters. The built-in synchronized slope compensation provides proprietary internal compensation for constant output power limit over a universal AC input range. The gate output is clamped at 18V to protect the external MOSFET from over-voltage damage.

Other protection functions include AC input brownout protection with hysteresis and V_{DD} over-voltage protection. For over-temperature protection, an external NTC thermistor can be applied to sense the ambient temperature. When OCP, V_{DD} OVP, or OTP are activated, an internal latch circuit latches off the controller. The latch resets when V_{DD} supply is removed.

SG6846C is available in 8-pin SOP and DIP packages.

Ordering Information

Part Number	Operating Temperature Range	OCP Latch	Package
SG6846CLSZ	-20 to +85°C	Yes	8-Pin Small Outline Package (SOP)
SG6846CLDZ	-20 to +85°C	Yes	8-Pin Dual Inline Package (DIP)



All standard Fairchild Semiconductor products are RoHS compliant and many are also "GREEN" or going green. For Fairchild's definition of "green" please visit: http://www.fairchildsemi.com/company/green/rohs_green.html.

Typical Application

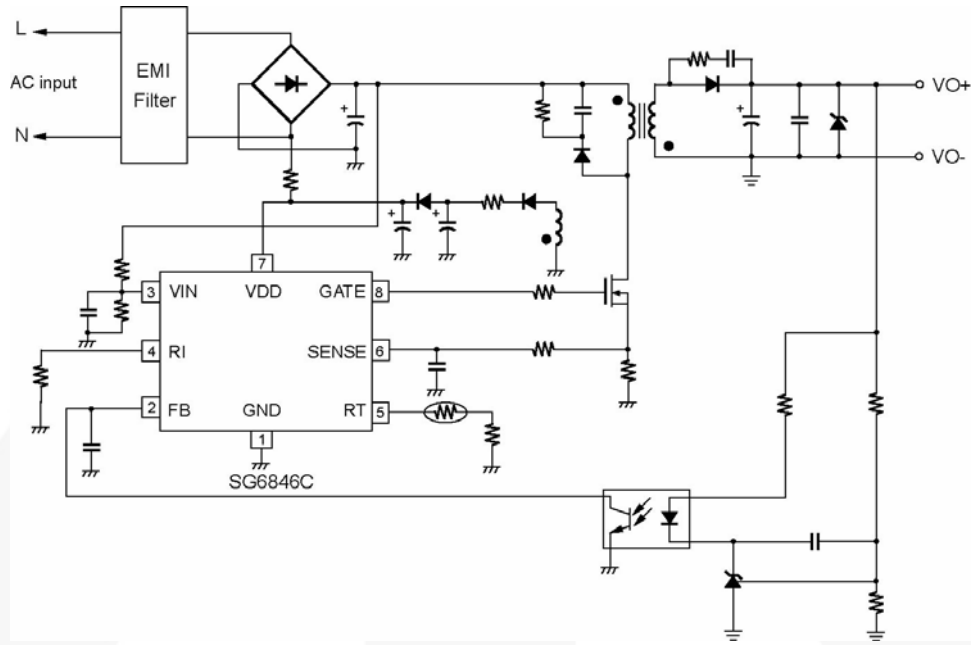


Figure 1. Typical Application

Block Diagram

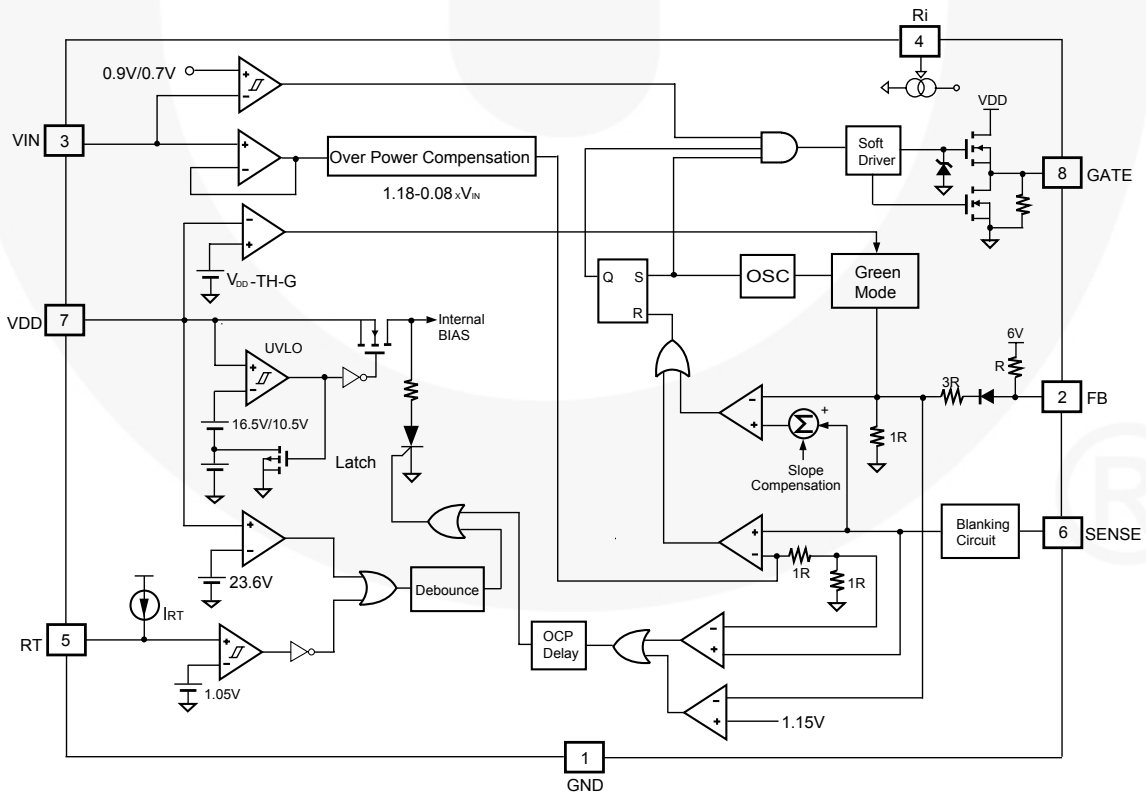


Figure 2. Block Diagram

Marking Information

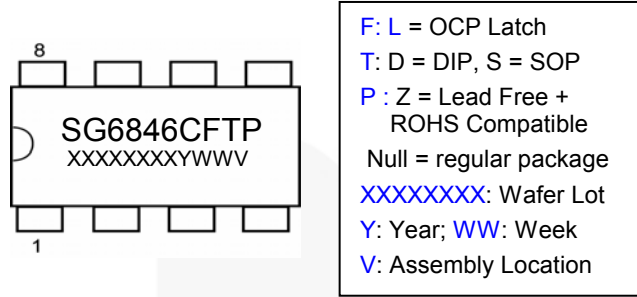


Figure 3. Top Mark

Pin Configuration

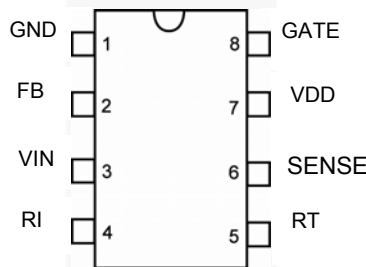


Figure 4. Pin Configuration

Pin Definitions

Pin #	Name	Function	Description
1	GND	Ground	Ground.
2	FB	Feedback	The signal from the external compensation circuit is fed into this pin. The PWM duty cycle is determined in response to the signal from this pin and the current-sense signal from pin 6.
3	VIN	Line-voltage Detection	Line-voltage detection, used for brownout protection with hysteresis. Constant output power limit over universal AC input range is also achieved using this pin. Add a low-pass filter to filter out line ripple on bulk capacitor.
4	RI	Reference Setting	A resistor from the RI pin to ground generates a reference current source that determines the switching frequency. Increasing the resistance reduces the switching frequency. Using a 26kΩ resistor results in a 65kHz switching frequency.
5	RT	Temperature Detection	For over-temperature protection, an external NTC thermistor is connected from this pin to the GND pin. The impedance of the NTC decreases at high temperatures. Once the voltage of the RT pin drops below a threshold, PWM output is disabled.
6	SENSE	Current Sense	Current sense. The sensed voltage is used for peak-current-mode control and cycle-by-cycle current limiting. If the switching current is higher than OCP threshold and lasts for 110ms, SG6846C turns off immediately. This two-level OCP feature is especially suitable for SMPS with surge current output.
7	VDD	Power Supply	Power supply. If an open-circuit failure occurs in the feedback loop, the internal protection circuit disables PWM output as long as V _{DD} exceeds a threshold.
8	GATE	Driver Output	The totem-pole output driver for the power MOSFET. It is internally clamped below 18V.

Absolute Maximum Ratings

Stresses exceeding the absolute maximum ratings may damage the device. The device may not function or be operable above the recommended operating conditions and stressing the parts to these levels is not recommended. In addition, extended exposure to stresses above the recommended operating conditions may affect device reliability. The absolute maximum ratings are stress ratings only. All voltage values, except differential voltages, are given with respect to GND pin.

Symbol	Parameter	Min.	Max.	Unit
V _{DD}	Supply Voltage		25	V
V _L	Input Voltage to FB, SENSE, VIN, RT,RI Pin	-0.3	7.0	V
P _D	Power Dissipation at T _A <50°C	DIP	800	mW
		SOP	400	
Θ _{JC}	Thermal Resistance (Junction-to-Case)	DIP	67.1	°C/W
		SOP	54.4	
T _J	Operating Junction Temperature	-40	+150	°C
T _{STG}	Storage Temperature Range	-65	+150	°C
T _L	Lead Temperature, Wave Soldering, 10 Seconds		+260	°C
ESD	Electrostatic Discharge Capability	Human Body Model	5.5	kV
		Machine Model	250	V

Recommended Operating Conditions

The Recommended Operating Conditions table defines the conditions for actual device operation. Recommended operating conditions are specified to ensure optimal performance to the datasheet specifications. Fairchild does not recommend exceeding them or designing to Absolute Maximum Ratings.

Symbol	Parameter	Min.	Max.	Unit
T _A	Operating Ambient Temperature	-20	+85	°C

Electrical Characteristics

$V_{DD} = 15V$, $T_A = 25^\circ C$, unless noted.

Symbol	Parameter	Test Condition	Min.	Typ.	Max.	Unit
V_{DD} Section						
V _{DD-OP}	Continuously Operating Voltage				20	V
V _{DD-ON}	Turn-on Threshold Voltage		15.5	16.5	17.5	V
V _{DD-OFF}	Turn-off Voltage		9.5	10.5	11.5	V
V _{DD-LH}	Threshold Voltage for Latch-off Release		3	4	5	V
I _{DD-ST}	Start-up Current	V _{DD-ON} – 0.16V		8	30	μA
I _{DD-OP}	Operating Supply Current	GATE Open		3.7	5.0	mA
V _{DD-OVP}	V _{DD} Over-Voltage Protection (Latch off)		22.6	23.6	24.6	V
t _{D-VDDOVP}	V _{DD} OVP Debounce Time	R _I = 26kΩ	60	100	140	μs
I _{DD-OVP}	V _{DD} OVP Latch-off Holding Current	V _{DD} = 5V	30	50	70	μA
V_{IN} Section						
V _{IN-OFF}	PWM Turn-off Threshold Voltage		0.65	0.70	0.75	V
V _{IN-ON}	PWM Turn-on Threshold Voltage		V _{IN-OFF} +0.1 8	V _{IN-OFF} +0.2 0	V _{IN-OFF} +0.2 2	V
Feedback Input Section						
A _V	Input-Voltage to Current-Sense Attenuation		1/3.5	1/4.0	1/4.5	V/V
Z _{FB}	Input Impedance		4.0	5.5	7.0	kΩ
V _{FBO}	FB Pin Open Voltage			6.2		V
V _{FB-OLP}	Threshold Voltage of Open-loop Protection		4.7	5.2	5.7	V
t _{D-OLP}	Open-loop Protection Delay Time	R _I = 26kΩ	100	110	120	ms
Current Sense Section						
Z _{SENSE}	Input Impedance			12		kΩ
t _{PD}	Delay to Output			100	250	ns
t _{LEB}	Leading-edge Blanking Time		270	360		ns
V _{SLOPE}	Slope Compensation	Duty = DCY _{MAX}	0.30	0.33	0.36	V
V _{STH1V}	Threshold Voltage for Current Limit	V _{IN} = 1V	1.07	1.10	1.13	V
V _{STH3V}	Threshold Voltage for Current Limit	V _{IN} = 3V	0.91	0.94	0.97	V
V _{STH1V-1/2}	OCP Threshold Voltage for Current Limit	V _{IN} = 1V	0.52	0.55	0.58	V
V _{STH3V-1/2}	OCP Threshold Voltage for Current Limit	V _{IN} = 3V	0.44	0.47	0.50	V
t _{D-OCP}	Delay Time for Over-Current Protection	R _I = 26kΩ	100	110	120	ms
t _{SS-65KHz}	Period During Start up Time	R _I = 26kΩ	4.5	5.0	5.5	ms
t _{SS-130KHz}		R _I = 13kΩ	2.25	2.50	2.75	ms

Continued on following page...

Electrical Characteristics (Continued)

$V_{DD} = 15V$, $T_A = 25^\circ C$, unless noted.

Symbol	Parameter		Test Condition	Min.	Typ.	Max.	Unit
Oscillator Section							
f_{OSC}	Normal PWM Frequency	Center Frequency	$R_I = 26k\Omega$, $V_{FB} > V_N$	62	65	68	kHz
		Jitter Range		± 3.7	± 4.2	± 4.7	
$f_{OSC,MAX}$	Maximum PWM Frequency	Center Frequency	$R_I = 13k\Omega$, $V_{FB} > V_N$	124	130	136	kHz
		Jitter Range		± 7.4	± 8.4	± 9.4	
$f_{OSC,MIN}$	Minimum PWM Frequency	Center Frequency	$R_I = 36k\Omega$, $V_{FB} > V_N$	44.8	47.0	49.2	kHz
		Jitter Range		± 2.54	± 2.90	± 3.26	
t_{hop-1}	Jitter Period		$R_I = 26k\Omega$, $V_{FB} \geq V_N$	3.9	4.4	4.9	ms
t_{hop-3}	Jitter period		$R_I = 26k\Omega$, $V_{FB} = V_G$	10.2	11.5	12.8	ms
f_{OSC-G}	Green-mode Minimum Frequency		$R_I = 26k\Omega$	18.0	22.5	25.0	kHz
V_{FB-N}	FB Pin Frequency Reduction Threshold	Pin, FB voltage	$R_I = 26k\Omega$, $V_{FB} = V_N$	1.9	2.1	2.3	V
		Jitter Range		3.7	4.2	4.7	KHz
V_{FB-G}	FB Voltage at f_{OSC-G}	Pin, FB voltage	$R_I = 26k\Omega$, $V_{FB} = V_G$	1.4	1.6	1.8	V
		Jitter Range		1.27	1.45	1.62	KHz
S_G	Slope for Green-Mode Modulation		$R_I = 26k\Omega$		85		Hz/mV
f_{DV}	Frequency Variation vs. V_{DD} Deviation		$V_{DD} = 11.5V$ to $20V$			5	%
f_{DT}	Frequency Variation vs. Temperature Deviation		$T_A = -30$ to $85^\circ C$		1.5	5.0	%

Continued on following page...

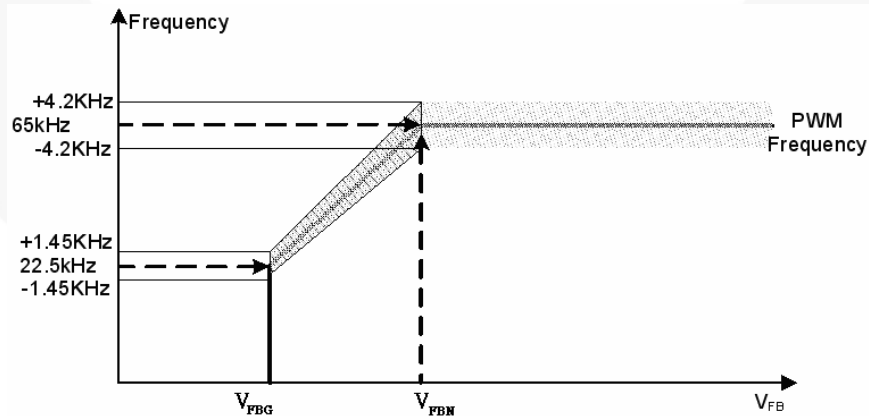


Figure 5. PWM Frequency

Electrical Characteristics (Continued)V_{DD} = 15V, T_A = 25°C, unless noted.

Symbol	Parameter	Test Condition	Min.	Typ.	Max.	Unit
PWM Output Section						
DCY _{MAX}	Maximum Duty Cycle		80	85	90	%
V _{OL}	Output Voltage Low	V _{DD} = 15V, I _O = 50mA			1.5	V
V _{OH}	Output Voltage High	V _{DD} = 12V, I _O = 50mA	8			V
t _R	Rising Time	GATE = 1nF		350		ns
t _F	Falling Time	GATE = 1nF		50		ns
V _{CLAMP}	Gate Output Clamping Voltage	V _{DD} = 20V			18	V
Over-Temperature Protection (OTP) Section⁽¹⁾						
I _{RT}	Output Current of RT Pin	R _I = 26kΩ	64	70	76	μA
V _{RTTH}	Threshold Voltage for OTP		1.00	1.05	1.10	V
t _{DOTP-LATCH}	Over-Temperature Latch-off Debounce	R _I = 26kΩ		100		μs
R _{RT-OFF}	Equivalent Impedance of RT for OTP ⁽¹⁾	R _I = 26kΩ	14	15	16	kΩ
R_I Section						
R _I _{NOR}	R _I Operating Range		13		36	kΩ
R _I _{MAX}	Maximum R _I Value for Protection		10			MΩ
R _I _{MIN}	Minimum R _I Value for Protection				6	kΩ

Note:

- The relationship between R_{RT-OFF} and R_I is: $R_{RT-OFF} = V_{OTP-LATCH-OFF} / I_{RT} = V_{RT} / (70\mu A \times 26 / R_I (K\Omega))$ (1)

Typical Performance Characteristics

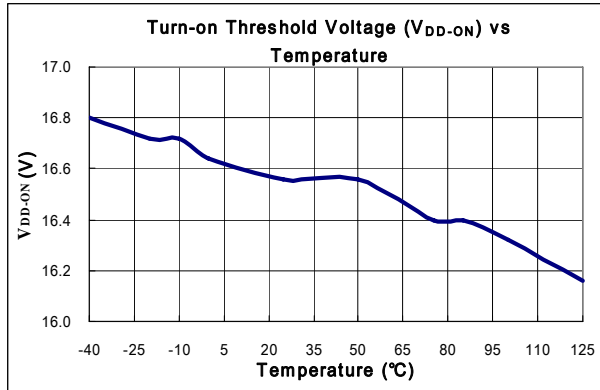


Figure 6. Turn-on Threshold Voltage (V_{DD-ON}) vs. Temperature

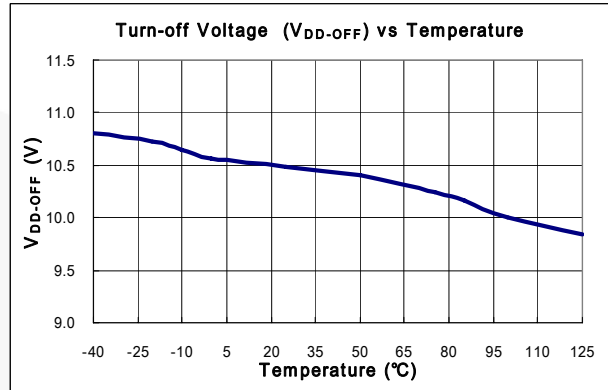


Figure 7. Turn-off Threshold Voltage (V_{DD-OFF}) vs. Temperature

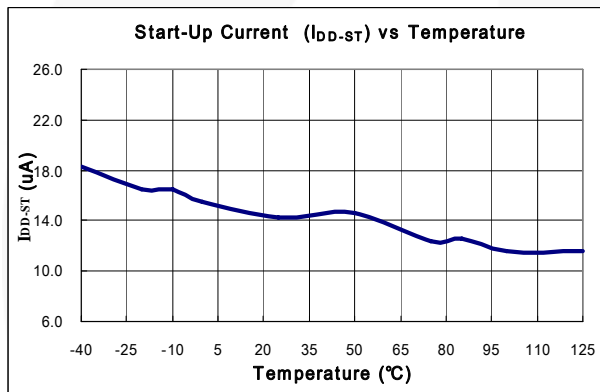


Figure 8. Start-up Current (I_{DD-ST}) vs. Temperature

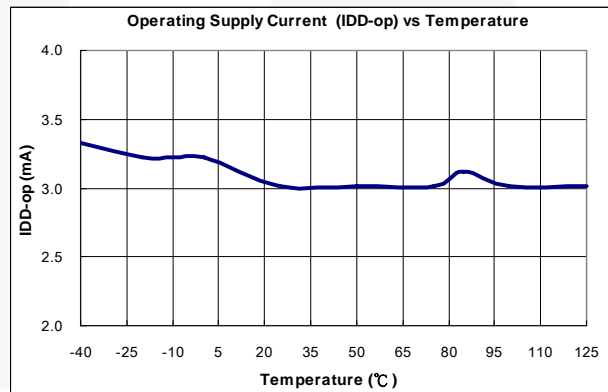


Figure 9. Operating Supply Current (I_{DD-OP}) vs. Temperature

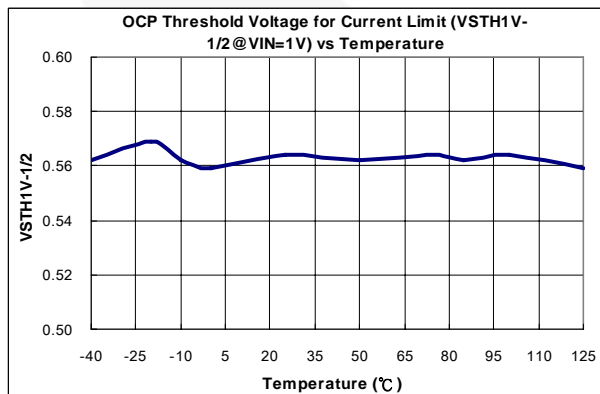


Figure 10. OCP Threshold Voltage for Current Limit ($V_{STH1V-1/2}$ at $V_{IN} = 1V$) vs. Temperature

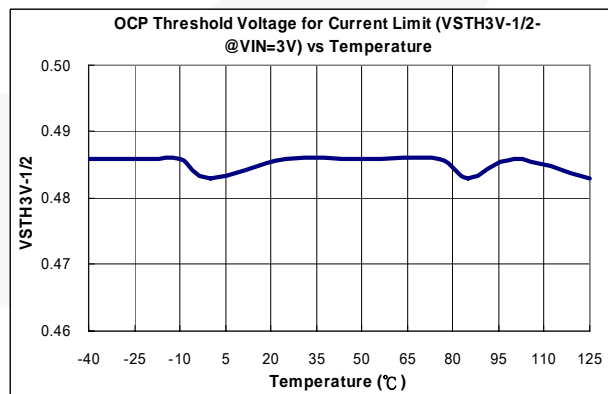


Figure 11. OCP Threshold Voltage for Current Limit ($V_{STH3V-1/2}$ at $V_{IN} = 3V$) vs. Temperature

Typical Performance Characteristics (Continued)

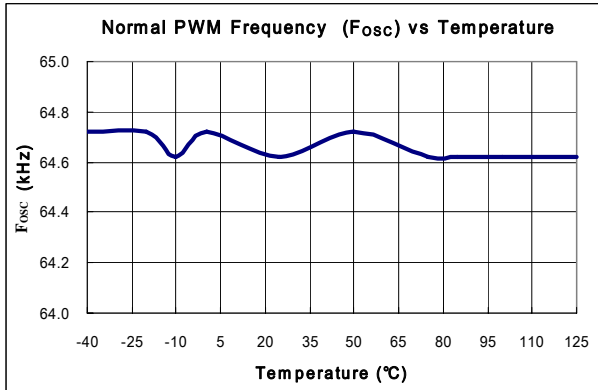


Figure 12. Normal PWM Frequency (f_{osc}) vs. Temperature

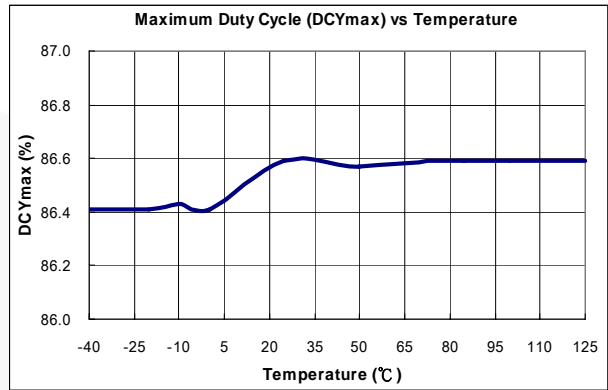


Figure 13. Maximum Duty Cycle (DCY_{MAX}) vs. Temperature

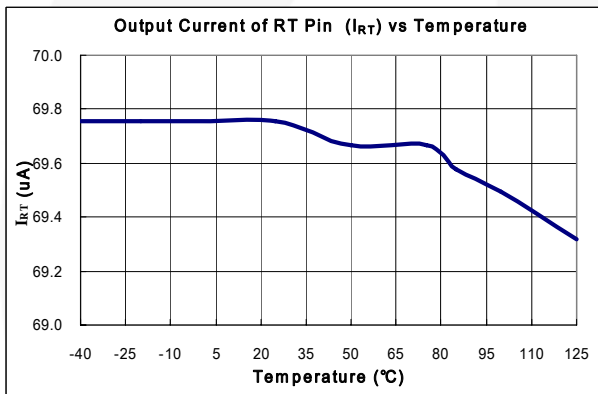


Figure 14. Output Current of RT Pin (I_{RT}) vs. Temperature

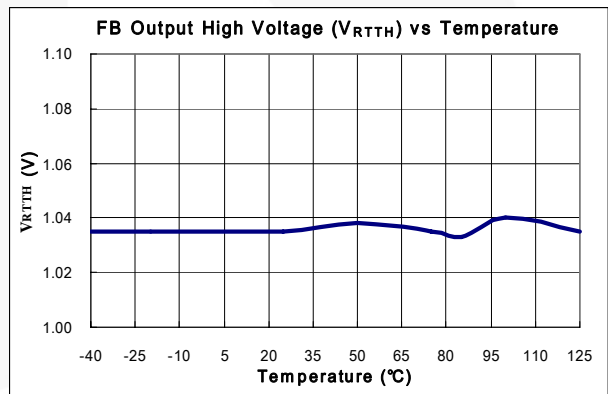


Figure 15. FB Output High Voltage (V_{RTTH}) vs. Temperature

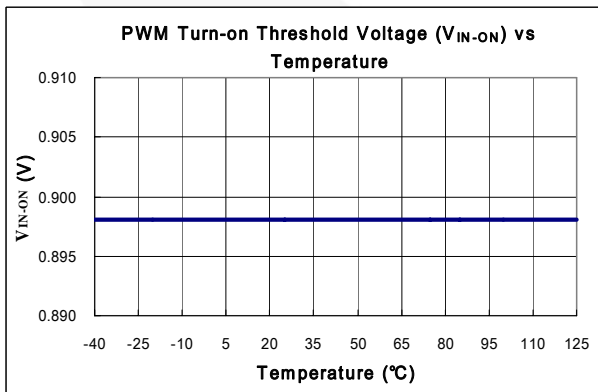


Figure 16. PWM Turn-on Threshold Voltage (V_{IN-ON}) vs. Temperature

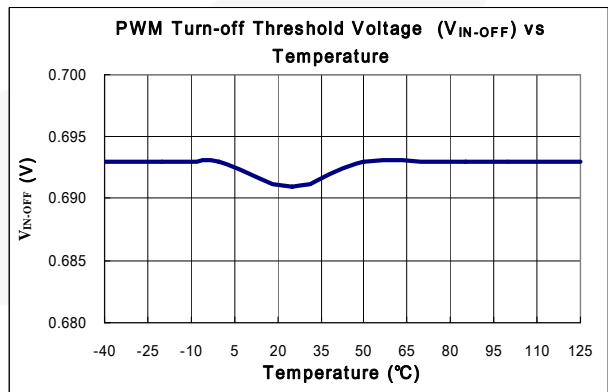


Figure 17. PWM Turn-off Threshold Voltage (V_{IN-OFF}) vs. Temperature

Operation Description

Start-up Operation

The turn-on/turn-off thresholds are fixed internally at 16.5V/10.5V. To enable the SG6846C during start-up, the hold-up capacitor must first be charged to 16.5V through the start-up resistor.

The hold-up capacitor continues to supply V_{DD} before energy can be delivered from the auxiliary winding of the main transformer. The V_{DD} must not drop below 10.5V during this start-up process. This UVLO hysteresis window ensures that the hold-up capacitor can adequately supply V_{DD} during start-up.

The typical start-up current is only 8 μ A, which allows a high-resistance, low-wattage start-up resistor to be used to minimize power loss. A 1.5M Ω /0.25W start-up resistor and a 10 μ F/25V V_{DD} hold-up capacitor are sufficient for a universal input range.

The required operating current has been reduced to 3.7mA, which enables higher efficiency and reduces the V_{DD} hold-up capacitance requirement.

Green-Mode Operation

The proprietary green-mode function provides off-time modulation to continuously decrease the switching frequency under light-load conditions. Maximum on-time is limited to provide protection against abnormal conditions. To further reduce power consumption under zero-load condition, the PWM oscillator is completely turned off and the power supply enters burst-mode. This green-mode function dramatically reduces power consumption under light-load and zero-load conditions. Power supplies using the SG6846C can meet even the most restrictive international regulations regarding standby power consumption.

Oscillator Operation

A resistor connected from the RI pin to GND generates a reference current source, inside the SG6846C, used to determine the PWM frequency. Increasing the resistance decreases the amplitude of the current source and reduces the PWM frequency. Using a 26k Ω resistor results in a corresponding 65kHz switching frequency. The relationship between R_i and the switching frequency is:

$$f_{\text{PWM}}(\text{kHz}) = \frac{1690}{R_i(\text{k}\Omega)} \quad (2)$$

If an open-circuit or short-circuit to ground occurs at the RI pin, the internal protection circuit immediately shuts down the controller.

Two-level Over-current Protection (OCP)

The cycle-by-cycle current limiting shuts down the PWM immediately when the switching current is over the peak-current threshold. Additionally, when the switching current is higher than half of the peak-current threshold, the internal counter counts down. When the total accumulated counting time is more than ~110ms ($R_i = 26\text{k}\Omega$), the controller is latched off and the internal counter counts up. When the switching current is lower than half of the peak current threshold, the internal counter will count down. When the total accumulated counting time is more than ~110ms ($R_i = 26\text{k}\Omega$), the controller is latched off.

This two-level OCP protection and up/down counter are especially designed for SMPS with surge current output, such as those for printers, scanners, and motor drivers.

Constant Output Power Limit

For constant output power limit over a universal input-voltage range, the peak-current threshold is adjusted by the voltage of the VIN pin. Since the VIN pin is connected to the rectified AC input line voltage through the resistive divider, a higher line voltage generates a higher V_{IN} voltage. The threshold voltage decreases as the V_{IN} increases, making the maximum output power at high line input voltage equal to that at low line input. The value of R-C network should not be so large it affects the power limit (shown in Figure 18). R and C should put on less than 300 Ω and 1000pF respectively.

Brownout Protection

Since the VIN pin is connected through a resistive divider to the rectified AC input line voltage, it can also be used for brownout protection. If the V_{IN} voltage is less than 0.7V, the PWM output is shut off. As the V_{IN} over 0.9V, the PWM output is turned on again. The hysteresis window for ON/OFF is ~0.2V.

V_{DD} Over-voltage Protection (OVP)

V_{DD} over-voltage protection is built in to prevent damage. When V_{DD} is over 23.6V, the SG6846C is latched off.

Over-temperature Protection (OTP)

An external NTC thermistor can be connected from the RT pin to GND. The impedance of the NTC decreases at high temperatures. When the voltage of the RT pin drops below 1.05V, the SG6846C is turned off. *For protection-mode options, see Ordering Information.*

Operation Description (Continued)

Noise Immunity

Noise from the current sense or the control signal may cause significant pulse-width jitter, particularly in continuous-conduction mode. Slope compensation helps alleviate this problem. Good placement and layout practices should be followed. Avoid long PCB traces and component leads. Compensation and filter components should be located near the SG6846C.

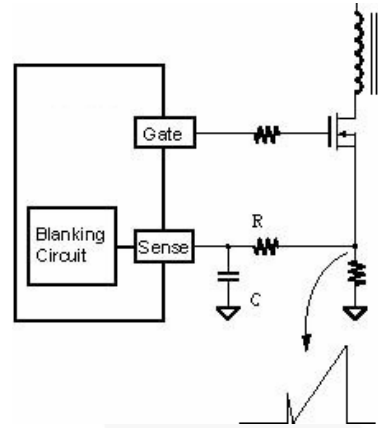


Figure 18. Current Sense R-C Filter

Reference Circuit

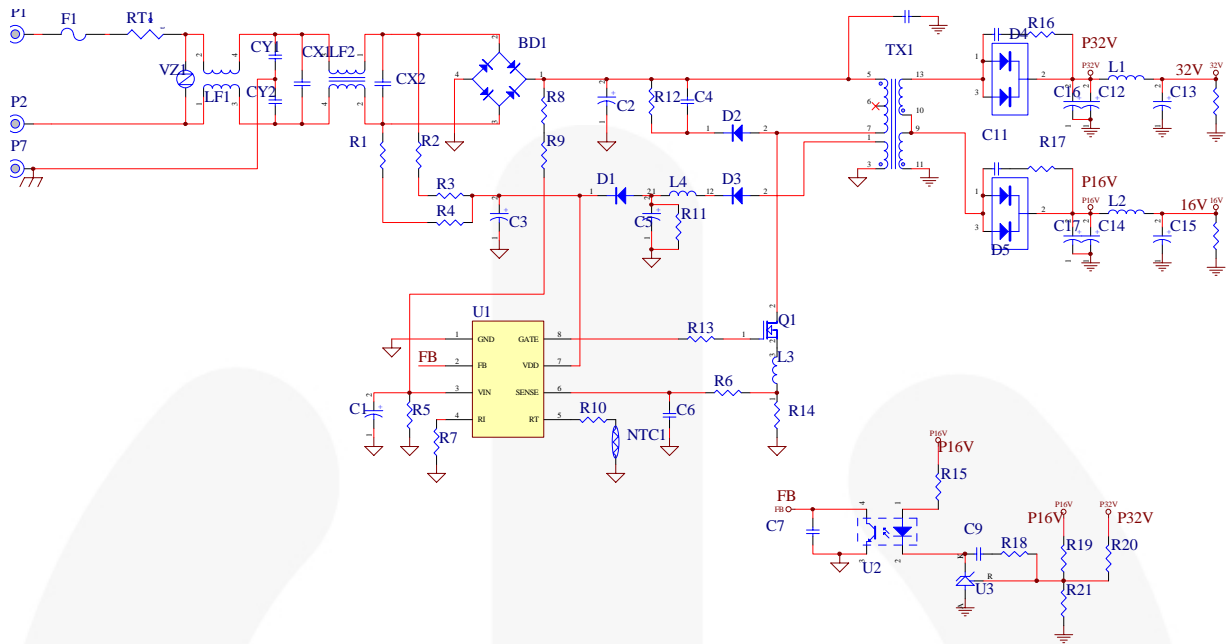


Figure 19. Application Circuit for 32V / 16V Output

BOM

Part No.	Value	Part No.	Value	Part No.	Value
R1, R2, R3, R4	470KΩ +/-5%	C4	103 P 630V	D3	FR103 1.0A 200V
R8, R9	51MΩ +/-1%	C10,C11	102 P 1KV	BD1	DBL406G
R5	16K2Ω +/-1%	C6,C7	102 P 50V	D4	BYT28-300
R15	1K5Ω +/-5%	C9	222 P 50V	D5	BYV32-150
R13	10Ω +/-5%	C14,C17	470μ 25V	F1	250V4A QUICK
R18	4K7Ω +/-5%	C15	220μ 25V	L1,L2	1.8μH
R21	15KΩ +/-1%	C13,C16	220μ 50V	L4	10μH
R7	27KΩ +/-5%	C2	150μ 400V	U3	TL431 +/-1%
R6	330Ω +/-1%	C1	4μ7 50V	U1	SG 6846
R19	102KΩ +/-1%	C3	10μ 50V	U2	PC817
R14	0Ω22 +/-5%	CX1	X1 0.47μ 275V	Q1	7NB60
R16, R17	1W 20Ω +/-5%	C8	Y2 222P 250V	TX1	EI-33
R11	20KΩ +/-5%	C5	100μ 50V	RT1	SCK053
R12	100KΩ +/-5%	CX2	X2 0.1μF 275V	VZ1	14ψ 470V
R20	887KΩ +/-1%	D1	1N4148		
R22	10KΩ +/-1%	D2	BYV95C		

Physical Dimensions

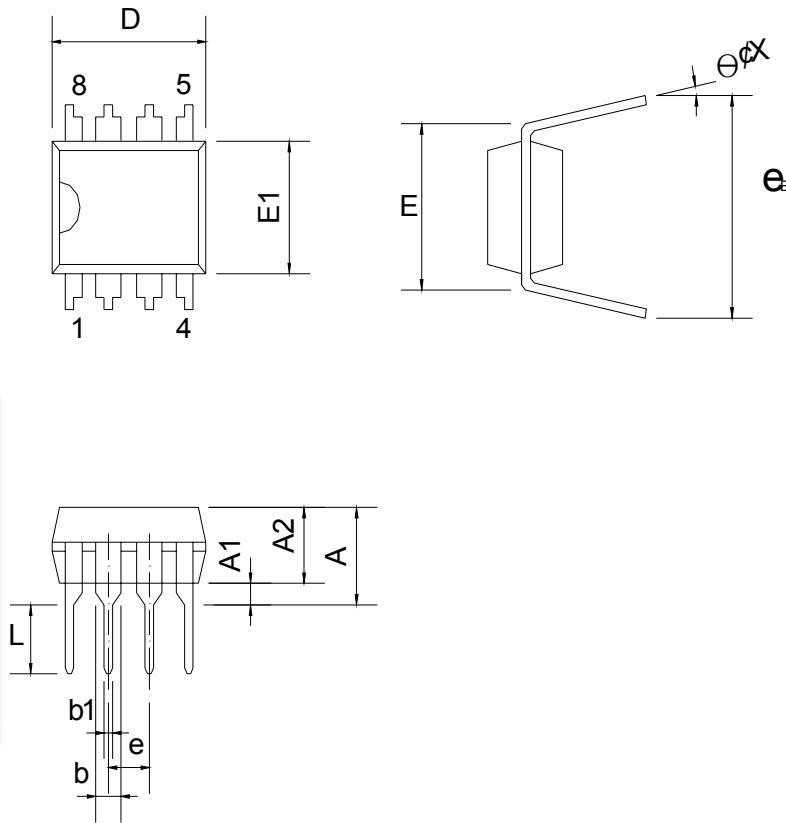


Figure 20. 8-Pin DIP

Symbol	Millimeter			Inch		
	Min.	Typ.	Max.	Min.	Typ.	Max.
A			5.334			0.210
A1	0.381			0.015		
A2	3.175	3.302	3.429	0.125	0.130	0.135
b		1.524			0.060	
b1		0.457			0.018	
D	9.017	9.271	10.160	0.355	0.365	0.400
E		7.620			0.300	
E1	6.223	6.350	6.477	0.245	0.250	0.255
e		2.540			0.100	
L	2.921	3.302	3.810	0.115	0.130	0.150
e _B	8.509	9.017	9.525	0.335	0.355	0.375
θ°	0°	7°	15°	0°	7°	15°

Package drawings are provided as a service to customers considering Fairchild components. Drawings may change in any manner without notice. Please note the revision and/or date on the drawing and contact a Fairchild Semiconductor representative to verify or obtain the most recent revision. Package specifications do not expand the terms of Fairchild's worldwide terms and conditions, specifically the warranty therein, which covers Fairchild products.

Always visit Fairchild Semiconductor's online packaging area for the most recent package drawings:
<http://www.fairchildsemi.com/packaging/>

Physical Dimensions

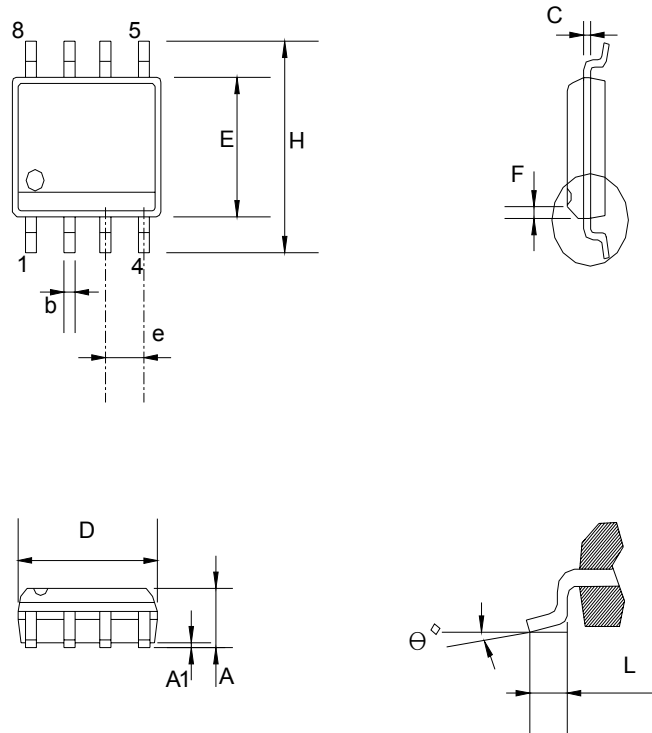


Figure 21. 8-Pin SOP

Symbol	Millimeter			Inch		
	Min.	Typ.	Max.	Min.	Typ.	Max.
A	1.346		1.752	0.053		0.069
A1	0.101		0.254	0.004		0.010
b		0.406			0.016	
c		0.203			0.008	
D	4.648		4.978	0.183		0.196
E	3.810		3.987	0.150		0.157
e	1.016	1.270	1.524	0.040	0.050	0.060
F		0.381X45°			0.015X45°	
H	5.791		6.197	0.228		0.244
L	0.406		1.270	0.016		0.050
θ°	0°		8°	0°		8°

Package drawings are provided as a service to customers considering Fairchild components. Drawings may change in any manner without notice. Please note the revision and/or date on the drawing and contact a Fairchild Semiconductor representative to verify or obtain the most recent revision. Package specifications do not expand the terms of Fairchild's worldwide terms and conditions, specifically the warranty therein, which covers Fairchild products.

Always visit Fairchild Semiconductor's online packaging area for the most recent package drawings:
<http://www.fairchildsemi.com/packaging/>



TRADEMARKS

The following includes registered and unregistered trademarks and service marks, owned by Fairchild Semiconductor and/or its global subsidiaries, and is not intended to be an exhaustive list of all such trademarks.

- | | | | |
|-----------------------------------------------------------------------------------|-----------------------------------------------|-----------------------------------------------------------------------------------|-------------------------------------------------------------------------------------|
| ACEx [®] | FPST [™] | PDP SPM [™] | The Power Franchise [®] |
| Build it Now [™] | F-PFS [™] | Power-SPM [™] |  |
| CorePLUS [™] | FRFET [®] | PowerTrench [®] | TinyBoost [™] |
| CorePOWER [™] | Global Power Resource SM | Programmable Active Droop [™] | TinyBuck [™] |
| CROSSVOLT [™] | Green FPST [™] | QFET [®] | TinyLogic [®] |
| CTL [™] | Green FPST [™] e-Series [™] | QS [™] | TINYOPTO [™] |
| Current Transfer Logic [™] | GTO [™] | Quiet Series [™] | TinyPower [™] |
| EcoSPARK [®] | IntelliMAX [™] | RapidConfigure [™] | TinyPWM [™] |
| EfficientMax [™] | ISOPLANAR [™] | Saving our world, 1mW at a time [™] | TinyWire [™] |
| EZSWITCH [™] * | MegaBuck [™] | SmartMax [™] | μSerDes [™] |
|  | MICROCOUPLER [™] | SMART START [™] |  |
|  | MicroFET [™] | SPM [®] | UHC [®] |
| Fairchild [®] | MicroPak [™] | STEALTH [™] | Ultra FRFET [™] |
| Fairchild Semiconductor [®] | MillerDrive [™] | SuperFET [™] | UniFET [™] |
| FACT Quiet Series [™] | MotionMax [™] | SuperSOT [™] -3 | V CX [™] |
| FACT [®] | Motion-SPM [™] | SuperSOT [™] -6 | VisualMax [™] |
| FAST [®] | OPTOLOGIC [®] | SuperSOT [™] -8 | |
| FAST [®] | OPTOPLANAR [®] | SupreMOS [™] | |
| FastvCore [™] | | SyncFET [™] | |
| FlashWriter [®] * | |  | |

* EZSWITCH[™] and FlashWriter[®] are trademarks of System General Corporation, used under license by Fairchild Semiconductor.

DISCLAIMER

FAIRCHILD SEMICONDUCTOR RESERVES THE RIGHT TO MAKE CHANGES WITHOUT FURTHER NOTICE TO ANY PRODUCTS HEREIN TO IMPROVE RELIABILITY, FUNCTION, OR DESIGN. FAIRCHILD DOES NOT ASSUME ANY LIABILITY ARISING OUT OF THE APPLICATION OR USE OF ANY PRODUCT OR CIRCUIT DESCRIBED HEREIN; NEITHER DOES IT CONVEY ANY LICENSE UNDER ITS PATENT RIGHTS, NOR THE RIGHTS OF OTHERS. THESE SPECIFICATIONS DO NOT EXPAND THE TERMS OF FAIRCHILD'S WORLDWIDE TERMS AND CONDITIONS, SPECIFICALLY THE WARRANTY THEREIN, WHICH COVERS THESE PRODUCTS.

LIFE SUPPORT POLICY

FAIRCHILD'S PRODUCTS ARE NOT AUTHORIZED FOR USE AS CRITICAL COMPONENTS IN LIFE SUPPORT DEVICES OR SYSTEMS WITHOUT THE EXPRESS WRITTEN APPROVAL OF FAIRCHILD SEMICONDUCTOR CORPORATION.

As used herein:

1. Life support devices or systems are devices or systems which, (a) are intended for surgical implant into the body or (b) support or sustain life, and (c) whose failure to perform when properly used in accordance with instructions for use provided in the labeling, can be reasonably expected to result in a significant injury of the user.
2. A critical component in any component of a life support, device, or system whose failure to perform can be reasonably expected to cause the failure of the life support device or system, or to affect its safety or effectiveness.

PRODUCT STATUS DEFINITIONS

Definition of Terms

Datasheet Identification	Product Status	Definition
Advance Information	Formative / In Design	This datasheet contains the design specifications for product development. Specifications may change in any manner without notice.
Preliminary	First Production	This datasheet contains preliminary data; supplementary data will be published at a later date. Fairchild Semiconductor reserves the right to make changes at any time without notice to improve design.
No Identification Needed	Full Production	This datasheet contains final specifications. Fairchild Semiconductor reserves the right to make changes at any time without notice to improve the design.
Obsolete	Not In Production	This datasheet contains specifications on a product that is discontinued by Fairchild Semiconductor. The datasheet is for reference information only.

Rev. 134

ON Semiconductor and  are trademarks of Semiconductor Components Industries, LLC dba ON Semiconductor or its subsidiaries in the United States and/or other countries. ON Semiconductor owns the rights to a number of patents, trademarks, copyrights, trade secrets, and other intellectual property. A listing of ON Semiconductor's product/patent coverage may be accessed at www.onsemi.com/site/pdf/Patent-Marking.pdf. ON Semiconductor reserves the right to make changes without further notice to any products herein. ON Semiconductor makes no warranty, representation or guarantee regarding the suitability of its products for any particular purpose, nor does ON Semiconductor assume any liability arising out of the application or use of any product or circuit, and specifically disclaims any and all liability, including without limitation special, consequential or incidental damages. Buyer is responsible for its products and applications using ON Semiconductor products, including compliance with all laws, regulations and safety requirements or standards, regardless of any support or applications information provided by ON Semiconductor. "Typical" parameters which may be provided in ON Semiconductor data sheets and/or specifications can and do vary in different applications and actual performance may vary over time. All operating parameters, including "Typicals" must be validated for each customer application by customer's technical experts. ON Semiconductor does not convey any license under its patent rights nor the rights of others. ON Semiconductor products are not designed, intended, or authorized for use as a critical component in life support systems or any FDA Class 3 medical devices or medical devices with a same or similar classification in a foreign jurisdiction or any devices intended for implantation in the human body. Should Buyer purchase or use ON Semiconductor products for any such unintended or unauthorized application, Buyer shall indemnify and hold ON Semiconductor and its officers, employees, subsidiaries, affiliates, and distributors harmless against all claims, costs, damages, and expenses, and reasonable attorney fees arising out of, directly or indirectly, any claim of personal injury or death associated with such unintended or unauthorized use, even if such claim alleges that ON Semiconductor was negligent regarding the design or manufacture of the part. ON Semiconductor is an Equal Opportunity/Affirmative Action Employer. This literature is subject to all applicable copyright laws and is not for resale in any manner.

PUBLICATION ORDERING INFORMATION

LITERATURE FULFILLMENT:

Literature Distribution Center for ON Semiconductor
19521 E. 32nd Pkwy, Aurora, Colorado 80011 USA
Phone: 303-675-2175 or 800-344-3860 Toll Free USA/Canada
Fax: 303-675-2176 or 800-344-3867 Toll Free USA/Canada
Email: orderlit@onsemi.com

N. American Technical Support: 800-282-9855 Toll Free
USA/Canada
Europe, Middle East and Africa Technical Support:
Phone: 421 33 790 2910
Japan Customer Focus Center
Phone: 81-3-5817-1050

ON Semiconductor Website: www.onsemi.com
Order Literature: <http://www.onsemi.com/orderlit>
For additional information, please contact your local
Sales Representative

Mouser Electronics

Authorized Distributor

Click to View Pricing, Inventory, Delivery & Lifecycle Information:

[onsemi:](#)

[SG6846CLSZ](#)