

P1P8160A

Low Jitter Clock Generator and Peak EMI Reduction IC

Product Description

P1P8160A is a versatile low jitter clock generator and spread spectrum frequency modulator designed to reduce electromagnetic interference (EMI) at the clock source, allowing system wide reduction of EMI of down stream clock and data dependent signals. The device allows significant system cost savings by reducing the number of circuit board layers ferrite beads, shielding and other passive components that are traditionally required to pass EMI regulations.

P1P8160A modulates the output of a PLL in order to “spread” the bandwidth of a synthesized clock, and more importantly, decreases the peak amplitudes of its harmonics. This results in significantly lower system EMI compared to the typical narrow band signal produced by oscillators and most frequency generators. Lowering EMI by increasing a signal’s bandwidth is called ‘spread spectrum clock generation’.

P1P8160A accepts an input from either a 27 MHz fundamental Crystal or from an external reference clock and generates a 100 MHz Spread Spectrum clock. The device also features a 27MHz reference clock output. Two Tri-level logic pins, SS1% and SS2% enables selecting one of the eight different frequency deviations along with SSOFF. Refer to *Frequency Deviation Selection table*. P1P8160A operates over a supply voltage range of 3.3 V \pm 10%. P1P8160A is available in a 10 Pin WDFN (3 mm x 3 mm) package, over temperature range -10°C to $+85^{\circ}\text{C}$.

Features

- LVCMOS Peak EMI Reduction
- Input clock Frequency:
 - 27 MHz: External Crystal or Reference Clock
- Output clock Frequencies:
 - 100 MHz Spread Spectrum Clock
 - 27 MHz Refout
- Two Tri-level Logic Pins for Selecting Eight Different Frequency Deviations Along with SSOFF
- Modulation Rate at 100 MHz: 32 kHz
- Low Cycle-Cycle Jitter, LT Jitter
- Supply voltage: 3.3 V \pm 10%
- Temperature Range: -10°C to $+85^{\circ}\text{C}$
- 10 Pin WDFN, 3 mm x 3 mm Package
- These Devices are Pb-Free, Halogen Free/BFR Free and are RoHS Compliant

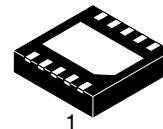
Application

- P1P8160A is targeted for use in a broad range of notebook, desktop and embedded digital applications.



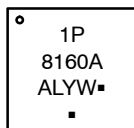
ON Semiconductor®

<http://onsemi.com>



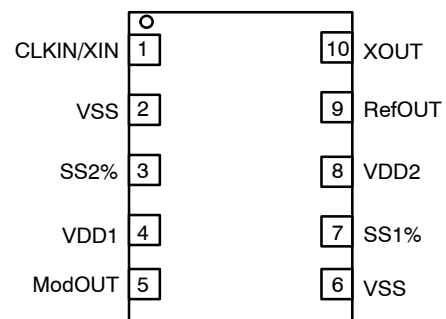
WDFN10
CASE 511BK

MARKING DIAGRAM



- A = Assembly Location
- L = Wafer Lot
- Y = Year
- W = Work Week
- = Pb-Free Package

PIN CONFIGURATION



ORDERING INFORMATION

See detailed ordering and shipping information in the package dimensions section on page 5 of this data sheet.

P1P8160A

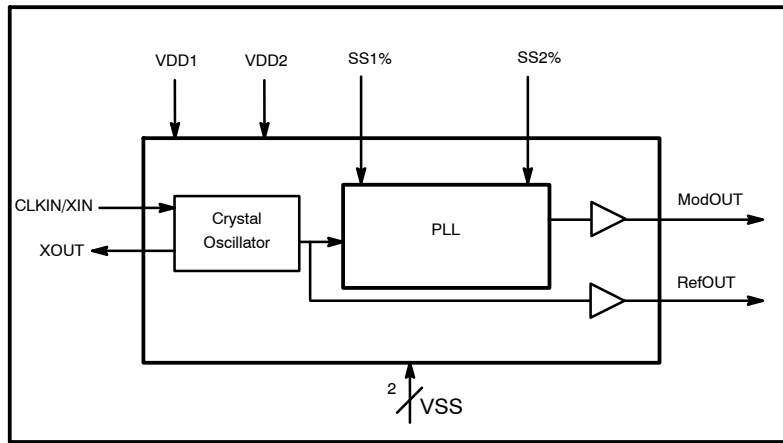


Figure 1. Block Diagram

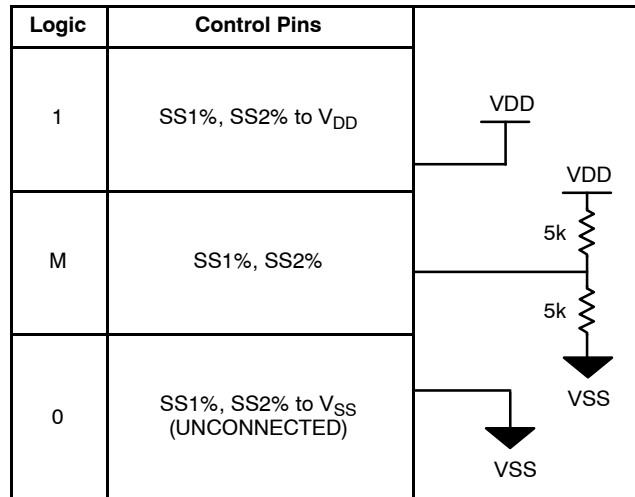
Table 1. PIN DESCRIPTION

Pin#	Pin Name	Type	Description
1	CLKIN / XIN	I	Crystal connection or External Reference Clock Input.
2	VSS	P	Ground to entire chip
3	SS2%	I	Frequency Deviation Selection. Tri-level logic pin. Has an internal pull down resistor. Refer to <i>Frequency Deviation Selection table</i>
4	VDD1		Supply Voltage for 100 MHz ModOUT
5	ModOUT	O	Buffered 100MHz spread spectrum clock output
6	VSS	P	Ground to entire chip
7	SS1%	I	Frequency Deviation Selection. Tri-level logic pin. Has an internal pull down resistor. Refer to <i>Frequency Deviation Selection table</i>
8	VDD2	P	Supply Voltage for 27 MHz RefOUT
9	RefOUT	O	Buffered reference clock output
10	XOUT	O	Crystal connection. If using an external reference, this pin must be left unconnected.

3 Level Digital Logic

SS1% and SS2% digital inputs are designed to sense 3 different logic levels designated as High “1”, Low “0” and Middle “M”. With this 3-Level digital inputs, 9 different logic states can be detected.

Use 5k/5k resistor divider at SS1% and SS2% pins from V_{DD} to V_{SS} to obtain V_{DD}/2, Middle “M” logic level as shown:



P1P8160A

Table 2. FREQUENCY DEVIATION SELECTION TABLE

SS2% (Pin#3)	SS1% (Pin#7)	Deviation at 100 MHz (%) (Pin#5)	ModRate (kHz)
L	L	SSOFF	32
L	M	-0.5	
L	H	-2.5	
M	L	-0.25	
M	M	-0.75	
M	H	-1	
H	L	-1.5	
H	M	-2	
H	H	-3	

Table 3. OPERATING CONDITIONS

Symbol	Parameter	Min	Max	Unit
V _{DD}	Voltage on any pin with respect to VSS	2.97	3.63	V
T _A	Operating Temperature	-10	+85	°C
C _L	Load Capacitance		15	pF
C _{IN}	Input Capacitance		7	pF

Table 4. ABSOLUTE MAXIMUM RATINGS

Symbol	Parameter	Rating	Unit
V _{DD} , V _{IN}	Voltage on any pin with respect to Ground	-0.5 to +4.6	V
T _{STG}	Storage Temperature	-65 to +125	°C
T _s	Max. Soldering Temperature (10 sec)	260	°C
T _J	Junction Temperature	150	°C
T _{DV}	Static Discharge Voltage (As per JEDEC STD 22- A114-B)	2	kV

Stresses exceeding Maximum Ratings may damage the device. Maximum Ratings are stress ratings only. Functional operation above the Recommended Operating Conditions is not implied. Extended exposure to stresses above the Recommended Operating Conditions may affect device reliability.

Table 5. DC ELECTRICAL CHARACTERISTICS

(V_{DD} = 3.3 V ± 10%, Ambient Temperature Range: -10°C to +85°C unless otherwise specified)

Symbol	Parameter	Min	Typ	Max	Unit
V _{DD}	Supply Voltage	2.97	3.3	3.63	V
V _{IL}	Input Low Voltage (CLKIN/XIN, SS1%, SS2% Inputs)	0		0.2	V
V _{IM}	Input Middle Voltage (SS1%, SS2% Inputs)	0.4 × V _{DD}		0.6 × V _{DD}	V
V _{IH}	Input High Voltage (CLKIN/XIN, SS1%, SS2% Inputs)	0.9 × V _{DD}		V _{DD}	V
V _{OL}	Output Low Voltage (ModOUT, RefOUT)			0.4	V
V _{OH}	Output High Voltage (ModOUT, RefOUT)				V
I _{DD}	Dynamic Supply Current (C _L = 15 pF, V _{DD} = 3.63 V, T = +85°C)			22	mA
C _{IN1}	Input Capacitance (XIN and XOUT)		6.0		pF
C _{IN2}	Input Capacitance (SS1%, SS2% Inputs)			7.0	pF
R _{PD}	Pull Down Resistor (SS1%, SS2% Inputs)	100	200	250	kΩ

NOTE: The voltage on any input or I/O pin cannot exceed the power pin during power up.

P1P8160A

Table 6. AC ELECTRICAL CHARACTERISTICS

(V_{DD} = 3.3 V ± 10%, Ambient Temperature Range: -10°C to +85°C unless otherwise specified)

Symbol	Parameter	Min	Typ	Max	Unit
f _{IN}	Input Clock frequency (Tolerance: ±10ppm)		27		MHz
f _{OUT}	ModOUT Clock frequency (SS1% & SS2% = 0) (Tolerance: ±30ppm)		100		MHz
	RefOUT Clock frequency (Tolerance: ±30ppm)		27		
t _{LH} , t _{HL} (Note 2)	RefOUT Rise and Fall time (Measured between 20% to 80%)	C _L = 5 pF	0.75	1.5	ns
		C _L = 15 pF	1.25	2.0	
t _{LH} , t _{HL} (Note 2)	ModOUT Rise and Fall time (Measured between 20% to 80%)	C _L = 5 pF	0.75	1.0	ns
		C _L = 15 pF	1.25	1.75	
T _{DCOUT} (Notes 1, 2)	Output Clock Duty Cycle	45	50	55	%
T _{JC} (Notes 1, 2)	Cycle–Cycle Jitter (For ModOUT, RefOUT)		125	200	ps
T _{JL} (Notes 1, 2)	Long Term Jitter (10k cycles)	27 MHz, RefOUT	150	300	
		100 MHz ModOUT (SSOFF)	350	600	
t _{ON} (Notes 1, 2)	Power Up Time (Stable power supply, valid input clock to valid Clock on ModOUT).			5	ms
t _{SS%} (Notes 1, 2)	Spread Percentage Setting Time (Time from SS1%/SS2% change to stable ModOUT with change in spread %)			1	ms
MF (Notes 1, 2)	Modulation Frequency	31	32	33	kHz
FMTSR (Notes 1, 2)	Frequency Modulation Type and Slew Rate (Triangular Modulation Profile)			0.125	%/μs

- Parameters are specified with 15 pF loaded outputs.
- Parameter is guaranteed by design and characterization. Not 100% tested in production

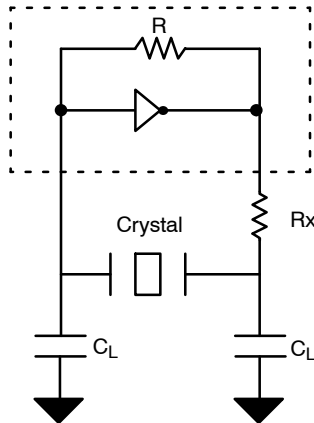


Figure 2. Typical Crystal Interface Circuit

$$C_L = 2 * (C_P - C_S),$$

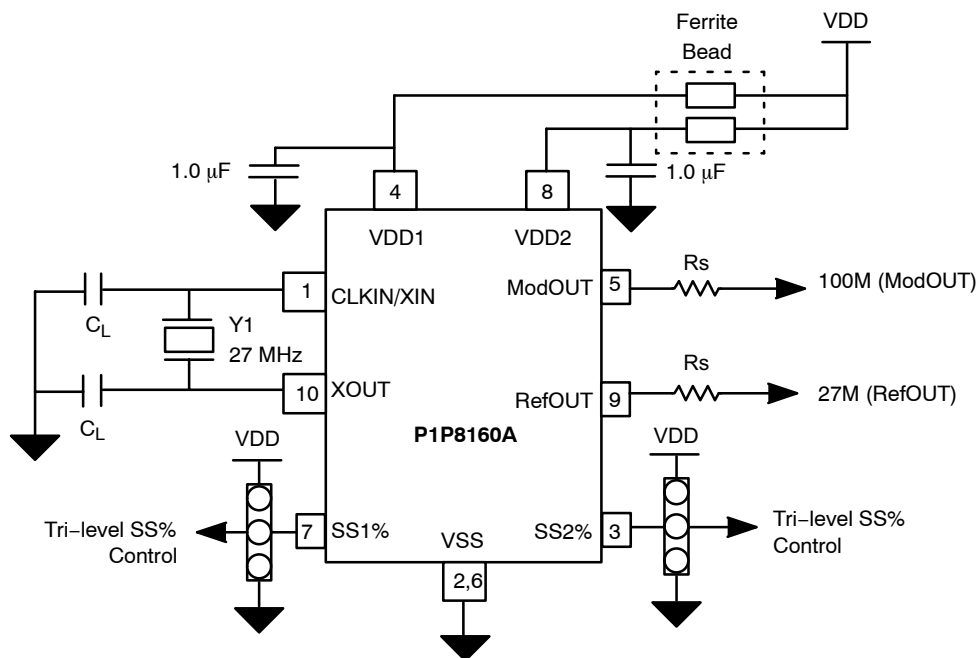
Where C_P = Load capacitance of crystal specified in a Crystal Datasheet

C_S = Stray capacitance due to C_{IN}, PCB, Trace etc.

C_L = Load capacitance to be used

Rx is used to reduce power dissipation in the Crystal

P1P8160A



NOTE: Refer Pin Description table for Functionality details
Figure 3. Typical Application Schematic

ORDERING INFORMATION

Part Number	Top Marking	Temperature	Package	Shipping†
P1P8160AG-10CR	1P 8160A	-10°C to +85°C	10 pin (3 mm x 3 mm) WDFN	2500 Tape & Reel

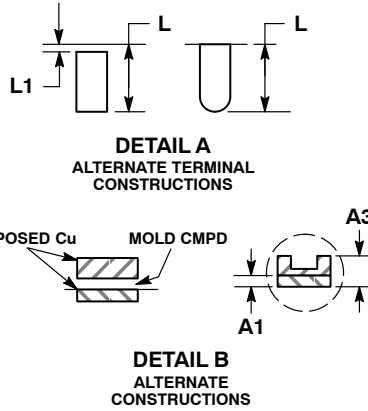
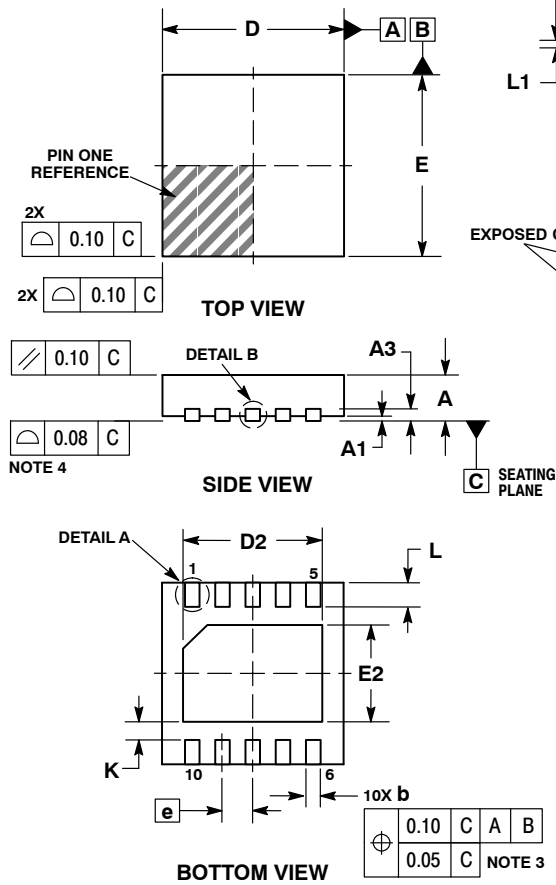
†For information on tape and reel specifications, including part orientation and tape sizes, please refer to our Tape and Reel Packaging Specifications Brochure, BRD8011/D.

*A "microdot" placed at the end of last row of marking or just below the last row toward the center of package indicates Pb-Free.

P1P8160A

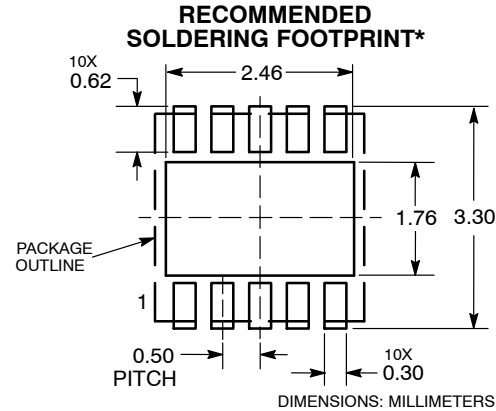
PACKAGE DIMENSIONS

WDFN10 3x3, 0.5P
CASE 511BK-01
ISSUE O



- NOTES:
1. DIMENSIONING AND TOLERANCING PER ASME Y14.5M, 1994.
 2. CONTROLLING DIMENSION: MILLIMETERS.
 3. DIMENSION b APPLIES TO PLATED TERMINAL AND IS MEASURED BETWEEN 0.15 AND 0.30mm FROM TERMINAL.
 4. COPLANARITY APPLIES TO THE EXPOSED PAD AS WELL AS THE TERMINALS.

DIM	MILLIMETERS	
	MIN	MAX
A	0.70	0.80
A1	0.00	0.05
A3	0.20 REF	
b	0.20	0.30
D	3.00 BSC	
D2	2.20	2.40
E	3.00 BSC	
E2	1.50	1.70
e	0.50 BSC	
K	0.20	---
L	0.35	0.45
L1	---	0.15



*For additional information on our Pb-Free strategy and soldering details, please download the ON Semiconductor Soldering and Mounting Techniques Reference Manual, SOLDERRM/D.

ON Semiconductor and are registered trademarks of Semiconductor Components Industries, LLC (SCILLC). SCILLC reserves the right to make changes without further notice to any products herein. SCILLC makes no warranty, representation or guarantee regarding the suitability of its products for any particular purpose, nor does SCILLC assume any liability arising out of the application or use of any product or circuit, and specifically disclaims any and all liability, including without limitation special, consequential or incidental damages. "Typical" parameters which may be provided in SCILLC data sheets and/or specifications can and do vary in different applications and actual performance may vary over time. All operating parameters, including "Typicals" must be validated for each customer application by customer's technical experts. SCILLC does not convey any license under its patent rights nor the rights of others. SCILLC products are not designed, intended, or authorized for use as components in systems intended for surgical implant into the body, or other applications intended to support or sustain life, or for any other application in which the failure of the SCILLC product could create a situation where personal injury or death may occur. Should Buyer purchase or use SCILLC products for any such unintended or unauthorized application, Buyer shall indemnify and hold SCILLC and its officers, employees, subsidiaries, affiliates, and distributors harmless against all claims, costs, damages, and expenses, and reasonable attorney fees arising out of, directly or indirectly, any claim of personal injury or death associated with such unintended or unauthorized use, even if such claim alleges that SCILLC was negligent regarding the design or manufacture of the part. SCILLC is an Equal Opportunity/Affirmative Action Employer. This literature is subject to all applicable copyright laws and is not for resale in any manner.

PUBLICATION ORDERING INFORMATION

LITERATURE FULFILLMENT:
Literature Distribution Center for ON Semiconductor
P.O. Box 5163, Denver, Colorado 80217 USA
Phone: 303-675-2175 or 800-344-3860 Toll Free USA/Canada
Fax: 303-675-2176 or 800-344-3867 Toll Free USA/Canada
Email: orderlit@onsemi.com

N. American Technical Support: 800-282-9855 Toll Free USA/Canada
Europe, Middle East and Africa Technical Support:
Phone: 421 33 790 2910
Japan Customer Focus Center
Phone: 81-3-5773-3850

ON Semiconductor Website: www.onsemi.com
Order Literature: <http://www.onsemi.com/orderlit>
For additional information, please contact your local Sales Representative

Mouser Electronics

Authorized Distributor

Click to View Pricing, Inventory, Delivery & Lifecycle Information:

[ON Semiconductor:](#)

[P1P8160AG-10CR](#)