

74AC161 • 74ACT161

Synchronous Presettable Binary Counter

General Description

The AC/ACT161 are high-speed synchronous modulo-16 binary counters. They are synchronously presettable for application in programmable dividers and have two types of Count Enable inputs plus a Terminal Count output for versatility in forming synchronous multistage counters. The AC/ACT161 has an asynchronous Master Reset input that overrides all other inputs and forces the outputs LOW.

Features

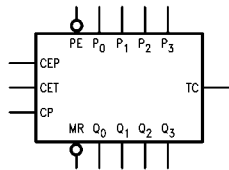
- I_{CC} reduced by 50%
- Synchronous counting and loading
- High-speed synchronous expansion
- Typical count rate of 125 MHz
- Outputs source/sink 24 mA
- ACT161 has TTL-compatible inputs

Ordering Code:

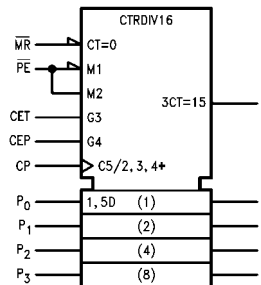
Order Number	Package Number	Package Description
74AC161SC	M16A	16-Lead Small Outline Integrated Circuit (SOIC), JEDEC MS-012, 0.150" Narrow
74AC161SJ	M16D	16-Lead Small Outline Package (SOP), EIAJ TYPE II, 5.3mm Wide
74AC161MTC	MTC16	16-Lead Thin Shrink Small Outline Package (TSSOP), JEDEC MO-153, 4.4mm Wide
74AC161PC	N16E	16-Lead Plastic Dual-In-Line Package (PDIP), JEDEC MS-001, 0.300" Wide
74ACT161SC	M16A	16-Lead Small Outline Integrated Circuit (SOIC), JEDEC MS-012, 0.150" Narrow
74ACT161SJ	M16D	16-Lead Small Outline Package (SOP), EIAJ TYPE II, 5.3mm Wide
74ACT161MTC	MTC16	16-Lead Thin Shrink Small Outline Package (TSSOP), JEDEC MO-153, 4.4mm Wide
74ACT161PC	N16E	16-Lead Plastic Dual-In-Line Package (PDIP), JEDEC MS-001, 0.300" Wide

Device also available in Tape and Reel. Specify by appending suffix letter "X" to the ordering code.

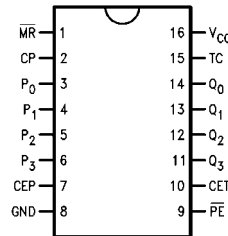
Logic Symbols



IEEE/IEC



Connection Diagram



Pin Descriptions

Pin Names	Description
CEP	Count Enable Parallel Input
CET	Count Enable Trickle Input
CP	Clock Pulse Input
MR	Asynchronous Master Reset Input
P_0 - P_3	Parallel Data Inputs
PE	Parallel Enable Inputs
Q_0 - Q_3	Flip-Flop Outputs
TC	Terminal Count Output

FACT™ is a trademark of Fairchild Semiconductor Corporation.

Functional Description

The AC/ACT161 count in modulo-16 binary sequence. From state 15 (HHHH) they increment to state 0 (LLLL). The clock inputs of all flip-flops are driven in parallel through a clock buffer. Thus all changes of the Q outputs (except due to Master Reset of the AC/ACT161) occur as a result of, and synchronous with, the LOW-to-HIGH transition of the CP input signal. The circuits have four fundamental modes of operation, in order of precedence: asynchronous reset, parallel load, count-up and hold. Five control inputs—Master Reset, Parallel Enable (\overline{PE}), Count Enable Parallel (CEP) and Count Enable Trickle (CET)—determine the mode of operation, as shown in the Mode Select Table. A LOW signal on \overline{MR} overrides all other inputs and asynchronously forces all outputs LOW. A LOW signal on \overline{PE} overrides counting and allows information on the Parallel Data (P_n) inputs to be loaded into the flip-flops on the next rising edge of CP. With \overline{PE} and \overline{MR} HIGH, CEP and CET permit counting when both are HIGH. Conversely, a LOW signal on either CEP or CET inhibits counting.

The AC/ACT161 use D-type edge-triggered flip-flops and changing the \overline{PE} , CEP, and CET inputs when the CP is in either state does not cause errors, provided that the recommended setup and hold times, with respect to the rising edge of CP, are observed.

The Terminal Count (TC) output is HIGH when CET is HIGH and counter is in state 15. To implement synchronous multistage counters, the TC outputs can be used with the CEP and CET inputs in two different ways.

Figure 1 shows the connections for simple ripple carry, in which the clock period must be longer than the CP to TC delay of the first stage, plus the cumulative CET to TC delays of the intermediate stages, plus the CET to CP setup time of the last stage. This total delay plus setup time sets the upper limit on clock frequency. For faster clock rates, the carry lookahead connections shown in Figure 2 are recommended. In this scheme the ripple delay through the intermediate stages commences with the same clock that causes the first stage to tick over from max to min in the Up mode, or min to max in the Down mode, to start its final cycle. Since this final cycle requires 16 clocks to complete, there is plenty of time for the ripple to progress through the intermediate stages. The critical timing that lim-

its the clock period is the CP to \overline{TC} delay of the first stage plus the CEP to CP setup time of the last stage. The \overline{TC} output is subject to decoding spikes due to internal race conditions and is therefore not recommended for use as a clock or asynchronous reset for flip-flops, registers or counters.

Logic Equations: Count Enable = $CEP \cdot CET \cdot \overline{PE}$
 $TC = Q_0 \cdot Q_1 \cdot Q_2 \cdot Q_3 \cdot CET$

Mode Select Table

\overline{PE}	CET	CEP	Action on the Rising Clock Edge (\nearrow)
X	X	X	Reset (Clear)
L	X	X	Load ($P_n \rightarrow Q_n$)
H	H	H	Count (Increment)
H	L	X	No Change (Hold)
H	X	L	No Change (Hold)

H = HIGH Voltage Level
 L = LOW Voltage Level
 X = Immaterial

State Diagram

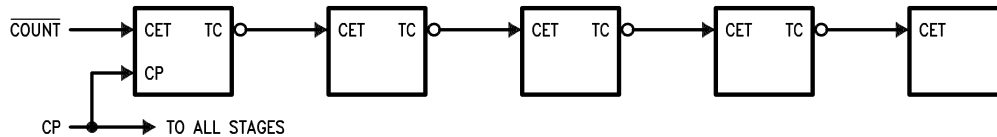
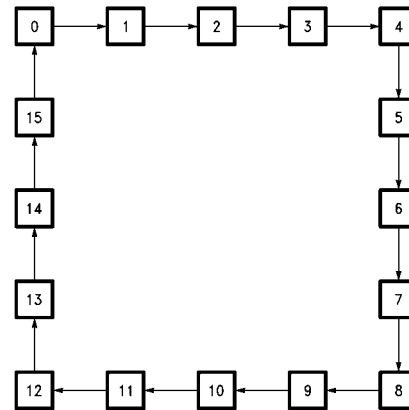


FIGURE 1. Multistage Counter with Ripple Carry

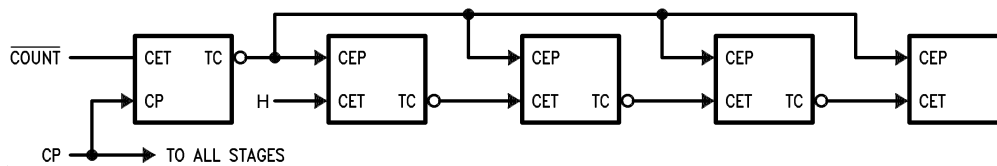
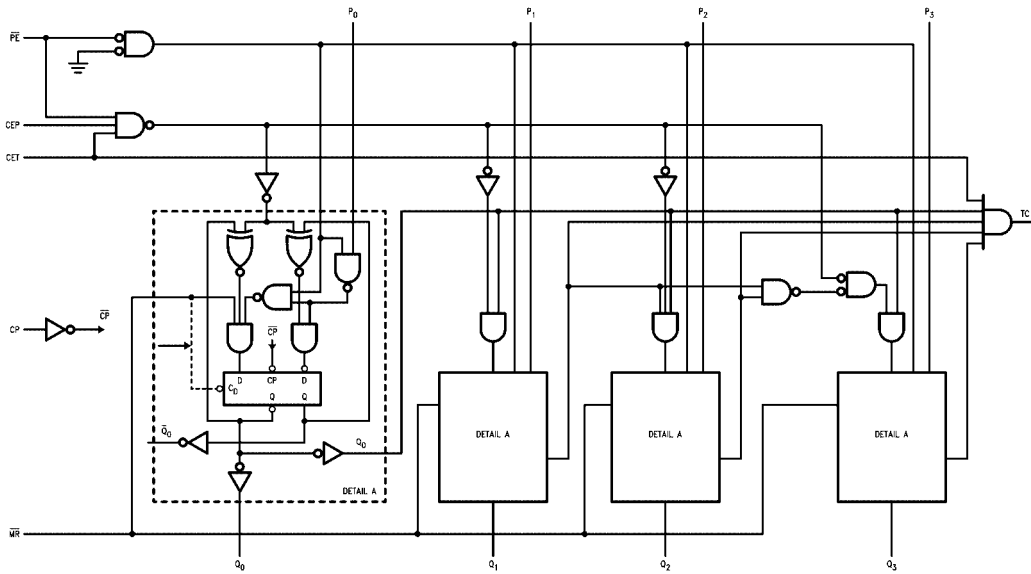


FIGURE 2. Multistage Counter with Lookahead Carry

Block Diagram



Please note that this diagram is provided only for the understanding of logic operations and should not be used to estimate propagation delays.

Absolute Maximum Ratings (Note 1)

Supply Voltage (V_{CC})	-0.5V to +7.0V
DC Input Diode Current (I_{IK})	
$V_I = -0.5V$	-20 mA
$V_I = V_{CC} + 0.5V$	+20 mA
DC Input Voltage (V_I)	-0.5V to $V_{CC} + 0.5V$
DC Output Diode Current (I_{OK})	
$V_O = -0.5V$	-20 mA
$V_O = V_{CC} + 0.5V$	+20 mA
DC Output Voltage (V_O)	-0.5V to $V_{CC} + 0.5V$
DC Output Source or Sink Current (I_O)	± 50 mA
DC V_{CC} or Ground Current per Output Pin (I_{CC} or I_{GND})	± 50 mA
Storage Temperature (T_{STG})	-65°C to +150°C
Junction Temperature (T_J)	
PDIP	140°C

Recommended Operating Conditions

Supply Voltage (V_{CC})	
AC	2.0V to 6.0V
ACT	4.5V to 5.5V
Input Voltage (V_I)	0V to V_{CC}
Output Voltage (V_O)	0V to V_{CC}
Operating Temperature (T_A)	-40°C to +85°C
Minimum Input Edge Rate ($\Delta V/\Delta t$)	
AC Devices	
V_{IN} from 30% to 70% of V_{CC}	
V_{CC} @ 3.3V, 4.5V, 5.5V	125 mV/ns
Minimum Input Edge Rate ($\Delta V/\Delta t$)	
ACT Devices	
V_{IN} from 0.8V to 2.0V	
V_{CC} @ 4.5V, 5.5V	125 mV/ns

Note 1: Absolute maximum ratings are those values beyond which damage to the device may occur. The databook specifications should be met, with-out exception, to ensure that the system design is reliable over its power supply, temperature, and output/input loading variables. Fairchild does not recommend operation of FACT™ circuits outside databook specifications.

DC Electrical Characteristics for AC

Symbol	Parameter	V_{CC} (V)	$T_A = +25^\circ\text{C}$		$T_A = -40^\circ\text{C to } +85^\circ\text{C}$	Units	Conditions
			Typ	Guaranteed Limits			
V_{IH}	Minimum HIGH Level Input Voltage	3.0	1.5	2.1	2.1	V	$V_{OUT} = 0.1V$ or $V_{CC} - 0.1V$
		4.5	2.25	3.15	3.15		
		5.5	2.75	3.85	3.85		
V_{IL}	Maximum LOW Level Input Voltage	3.0	1.5	0.9	0.9	V	$V_{OUT} = 0.1V$ or $V_{CC} - 0.1V$
		4.5	2.25	1.35	1.35		
		5.5	2.75	1.65	1.65		
V_{OH}	Minimum HIGH Level Output Voltage	3.0	2.99	2.9	2.9	V	$I_{OUT} = -50 \mu A$
		4.5	4.49	4.4	4.4		
		5.5	5.49	5.4	5.4		
		3.0		2.56	2.46	V	$V_{IN} = V_{IL}$ or V_{IH} $I_{OH} = -12$ mA $I_{OH} = -24$ mA $I_{OH} = -24$ mA (Note 2)
		4.5		3.86	3.76		
		5.5		4.86	4.76		
V_{OL}	Maximum LOW Level Output Voltage	3.0	0.002	0.1	0.1	V	$I_{OUT} = 50 \mu A$
		4.5	0.001	0.1	0.1		
		5.5	0.001	0.1	0.1		
		3.0		0.36	0.44	V	$V_{IN} = V_{IL}$ or V_{IH} $I_{OL} = 12$ mA $I_{OL} = 24$ mA $I_{OL} = 24$ mA (Note 2)
		4.5		0.36	0.44		
		5.5		0.36	0.44		
I_{IN} (Note 4)	Maximum Input Leakage Current	5.5		± 0.1	± 1.0	μA	$V_I = V_{CC}, GND$
I_{OLD}	Minimum Dynamic	5.5			75	mA	$V_{OLD} = 1.65V$ Max
I_{OHD}	Output Current (Note 3)	5.5			-75	mA	$V_{OHD} = 3.85V$ Min
I_{CC} (Note 4)	Maximum Quiescent Supply Current	5.5		4.0	40.0	μA	$V_{IN} = V_{CC}$ or GND

Note 2: All outputs loaded; thresholds on input associated with output under test.

Note 3: Maximum test duration 2.0 ms, one output loaded at a time.

Note 4: I_{IN} and I_{CC} @ 3.0V are guaranteed to be less than or equal to the respective limit @ 5.5V V_{CC} .

DC Electrical Characteristics for ACT								
Symbol	Parameter	V _{CC} (V)	T _A = +25°C		T _A = -40°C to +85°C		Units	Conditions
			Typ	Guaranteed Limits				
V _{IH}	Minimum HIGH Level Input Voltage	4.5	1.5	2.0	2.0	V	V _{OUT} = 0.1V or V _{CC} - 0.1V	
		5.5	1.5	2.0	2.0			
V _{IL}	Maximum LOW Level Input Voltage	4.5	1.5	0.8	0.8	V	V _{OUT} = 0.1V or V _{CC} - 0.1V	
		5.5	1.5	0.8	0.8			
V _{OH}	Minimum HIGH Level Output Voltage	4.5	4.49	4.4	4.4	V	I _{OUT} = -50 μA	
		5.5	5.49	5.4	5.4			
		4.5		3.86	3.76	V	V _{IN} = V _{IL} or V _{IH} I _{OH} = -24 mA I _{OH} = -24 mA (Note 5)	
		5.5		4.86	4.76			
V _{OL}	Maximum LOW Level Output Voltage	4.5	0.001	0.1	0.1	V	I _{OUT} = 50 μA	
		5.5	0.001	0.1	0.1			
		4.5		0.36	0.44	V	V _{IN} = V _{IL} or V _{IH} I _{OL} = 24 mA I _{OL} = 24 mA (Note 5)	
		5.5		0.36	0.44			
I _{IN}	Maximum Input Leakage Current	5.5		±0.1	±1.0	μA	V _I = V _{CC} , GND	
I _{CCT}	Maximum I _{CC} /Input	5.5	0.6		1.5	mA	V _I = V _{CC} - 2.1V	
I _{OLD}	Minimum Dynamic Output Current (Note 6)	5.5			75	mA	V _{OLD} = 1.65V Max	
I _{OHD}		5.5			-75	mA	V _{OHD} = 3.85V Min	
I _{CC}	Maximum Quiescent Supply Current	5.5		4.0	40.0	μA	V _{IN} = V _{CC} or GND	

Note 5: All outputs loaded; thresholds on input associated with output under test.
Note 6: Maximum test duration 2.0 ms, one output loaded at a time.

AC Electrical Characteristics for AC								
Symbol	Parameter	V _{CC} (V) (Note 7)	T _A = +25°C C _L = 50 pF			T _A = -40°C to +85°C C _L = 50 pF		Units
			Min	Typ	Max	Min	Max	
f _{MAX}	Maximum Count Frequency	3.3	70	111		60	MHz	
		5.0	110	167		95		
t _{PLH}	Propagation Delay CP to Q _n (PE Input HIGH or LOW)	3.3	2.0	7.0	12	1.5	13.5	ns
		5.0	1.5	5.0	9.0	1.0	9.5	
t _{PHL}	Propagation Delay CP to Q _n (PE Input HIGH or LOW)	3.3	1.5	7.0	12	1.5	13	ns
		5.0	1.5	5.0	9.5	1.5	10	
t _{PLH}	Propagation Delay CP to TC	3.3	3.0	9	15	2.5	16.5	ns
		5.0	2.0	6	10.5	1.5	11.5	
t _{PHL}	Propagation Delay CP to TC	3.3	3.5	8.5	14	2.5	15.5	ns
		5.0	2.0	6.5	11	2.0	11.5	
t _{PLH}	Propagation Delay CET to TC	3.3	2.0	5.5	9.5	1.5	11	ns
		5.0	1.5	3.5	6.5	1.0	7.5	
t _{PHL}	Propagation Delay CET to TC	3.3	2.5	6.5	11	2.0	12.5	ns
		5.0	2.0	5	8.5	1.5	9.5	
t _{PHL}	Propagation Delay MR to Q _n	3.3	2.0	6.5	12	1.5	13.5	ns
		5.0	1.5	5.5	9.5	1.5	10	
t _{PHL}	Propagation Delay MR to TC	3.3	3.5	10	15	3.0	17.5	ns
		5.0	2.5	8.5	13	2.5	13.5	

Note 7: Voltage Range 3.3 is 3.3V ± 0.3V
Voltage Range 5.0 is 5.0V ± 0.5V

AC Operating Requirements for AC

Symbol	Parameter	V _{CC} (V) (Note 8)	T _A = +25°C C _L = 50 pF		T _A = -40°C to +85°C C _L = 50 pF		Units
			Typ	Guaranteed Minimum	Typ	Guaranteed Minimum	
t _S	Setup Time, HIGH or LOW P _n to CP	3.3	6.0	13.5	16	ns	
		5.0	3.5	8.5	10.5		
t _H	Hold Time, HIGH or LOW P _n to CP	3.3	-7.0	-1	-0.5	ns	
		5.0	-4.0	0	0		
t _S	Setup Time, HIGH or LOW PE to CP	3.3	6.5	11.5	14	ns	
		5.0	4.0	7.5	8.5		
t _H	Hold Time, HIGH or LOW PE to CP	3.3	-6.0	0	0	ns	
		5.0	-3.5	0.5	1		
t _S	Setup Time, HIGH or LOW CEP or CET to CP	3.3	3.0	6.0	7	ns	
		5.0	2.0	4.5	5		
t _H	Hold Time, HIGH or LOW CEP or CET to CP	3.3	-3.5	0	0	ns	
		5.0	-2	0	0.5		
t _W	Clock Pulse Width (Load) HIGH or LOW	3.3	2.0	3.5	4	ns	
		5.0	2.0	2.5	3		
t _W	Clock Pulse Width (Count) HIGH or LOW	3.3	2.0	4.0	4.5	ns	
		5.0	2.0	3.0	3.5		
t _W	MR Pulse Width, LOW	3.3	3.0	5.5	7.5	ns	
		5.0	2.5	4.5	6.0		
t _{REC}	Recovery Time MR to CP		-2	-0.5	0	ns	
			-1	0	0.5		

Note 8: Voltage Range 3.3 is 3.3V ± 0.3V

Voltage Range 5.0 is 5.0V ± 0.5V

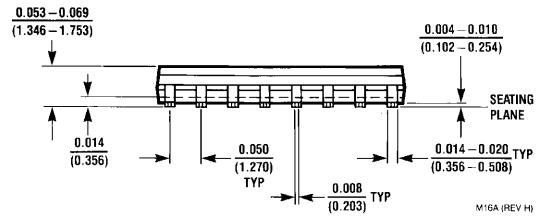
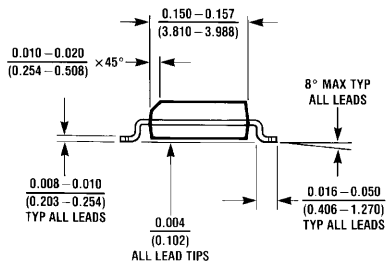
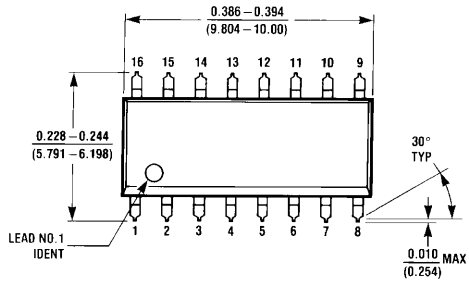
AC Electrical Characteristics for ACT

Symbol	Parameter	V _{CC} (V) (Note 9)	T _A = +25°C C _L = 50 pF			T _A = -40°C to +85°C C _L = 50 pF		Units
			Min	Typ	Max	Min	Max	
t _{MAX}	Maximum Count Frequency	5.0	115	125		100		MHz
t _{PLH}	Propagation Delay CP to Q _n (PE Input HIGH or LOW)	5.0	1.5	5.5	9.5	1.5	10.5	ns
t _{PHL}	Propagation Delay CP to Q _n (PE Input HIGH or LOW)	5.0	1.5	6.0	10.5	1.5	11.5	ns
t _{PLH}	Propagation Delay CP to TC	5.0	2.0	7.0	11.0	1.5	12.5	ns
t _{PHL}	Propagation Delay CP to TC	5.0	1.5	8.0	12.5	1.5	13.5	ns
t _{PLH}	Propagation Delay CET to TC	5.0	1.5	5.5	8.5	1.5	10.0	ns
t _{PHL}	Propagation Delay CET to TC	5.0	1.5	6.5	9.5	1.5	10.5	ns
t _{PHL}	Propagation Delay MR to Q _n	5.0	1.5	6.0	10.0	1.5	11.0	ns
t _{PHL}	Propagation Delay MR to TC	5.0	2.5	8.0	13.5	2.0	14.5	ns

Note 9: Voltage Range 5.0 is 5.0V ± 0.5V

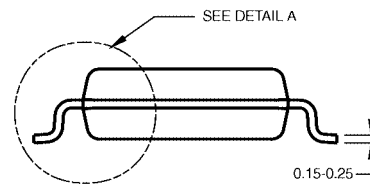
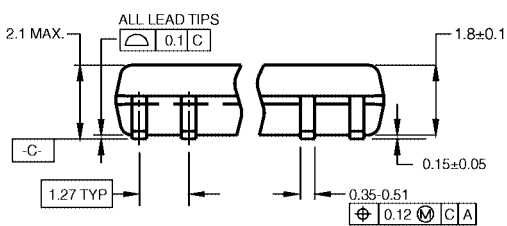
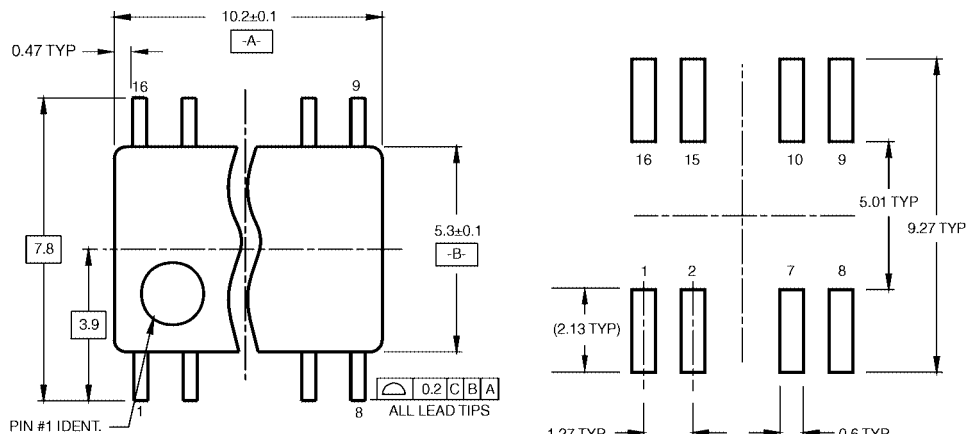
AC Operating Requirements for ACT						
Symbol	Parameter	V _{CC} (V) (Note 10)	T _A = +25°C C _L = 50 pF		T _A = -40°C to +85°C C _L = 50 pF	Units
			Typ	Guaranteed Minimum		
t _S	Setup Time, HIGH or LOW P _n to CP	5.0	4.0	9.5	11.5	ns
t _H	Hold Time, HIGH or LOW P _n to CP	5.0	-5.0	0	0	ns
t _S	Setup Time, HIGH or LOW P _E to CP	5.0	4.0	8.5	9.5	ns
t _H	Hold Time, HIGH or LOW P _E to CP	5.0	-5.5	-0.5	-0.5	ns
t _S	Setup Time, HIGH or LOW CEP or CET to CP	5.0	2.5	5.5	6.5	ns
t _H	Hold Time, HIGH or LOW CEP or CET to CP	5.0	-3.0	0	0	ns
t _W	Clock Pulse Width, (Load) HIGH or LOW	5.0	2.0	3.0	3.5	ns
t _W	Clock Pulse Width, (Count) HIGH or LOW	5.0	2.0	3.0	3.5	ns
t _W	MR Pulse Width, LOW	5.0	3.0	3.0	7.5	ns
t _{REC}	Recovery Time MR to CP	5.0	0	0	0.5	ns
Note 10: Voltage Range 5.0 is 5.0V ± 0.5V						
Capacitance						
Symbol	Parameter	Typ	Units	Conditions		
C _{IN}	Input Capacitance	4.5	pF	V _{CC} = OPEN		
C _{PD}	Power Dissipation Capacitance	45.0	pF	V _{CC} = 5.0V		

Physical Dimensions inches (millimeters) unless otherwise noted



**16-Lead Small Outline Integrated Circuit (SOIC), JEDEC MS-012, 0.150" Narrow
Package Number M16A**

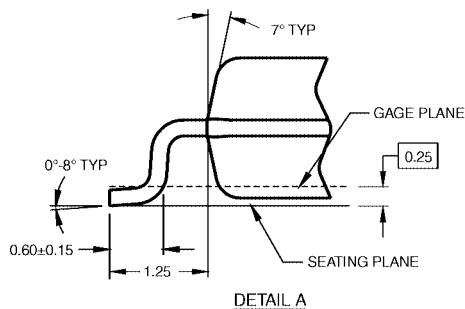
Physical Dimensions inches (millimeters) unless otherwise noted (Continued)



DIMENSIONS ARE IN MILLIMETERS

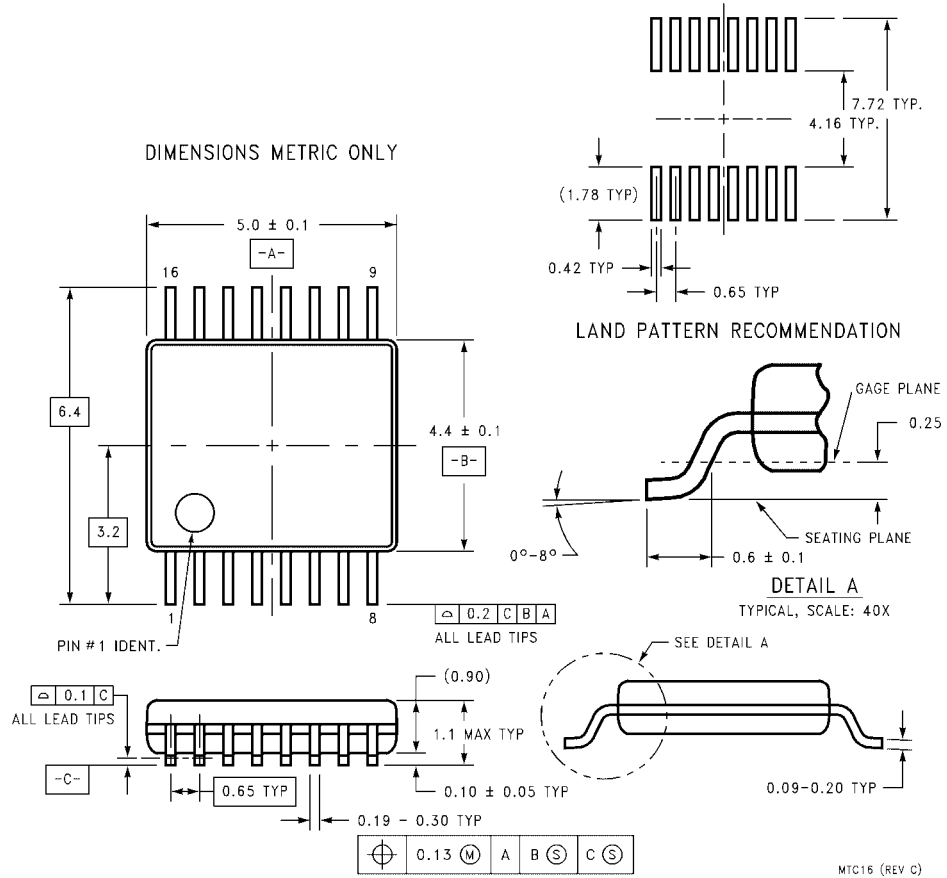
- NOTES:
 A. CONFORMS TO EIAJ EDR-7320 REGISTRATION, ESTABLISHED IN DECEMBER, 1998.
 B. DIMENSIONS ARE IN MILLIMETERS.
 C. DIMENSIONS ARE EXCLUSIVE OF BURRS, MOLD FLASH, AND TIE BAR EXTRUSIONS.

M16DRevB1



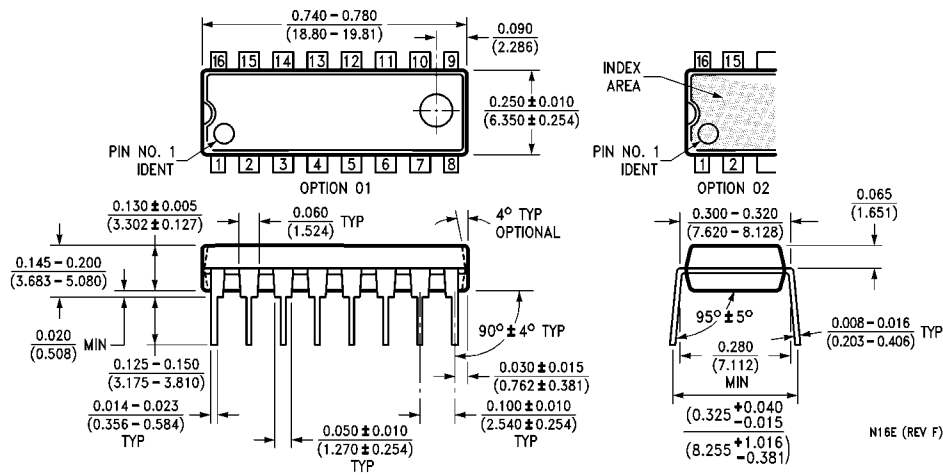
**16-Lead Small Outline Package (SOP), EIAJ TYPE II, 5.3mm Wide
 Package Number M16D**

Physical Dimensions inches (millimeters) unless otherwise noted (Continued)



**16-Lead Thin Shrink Small Outline Package (TSSOP), JEDEC MO-153, 4.4mm Wide
Package Number MTC16**

Physical Dimensions inches (millimeters) unless otherwise noted (Continued)



16-Lead Plastic Dual-In-Line Package (PDIP), JEDEC MS-001, 0.300" Wide Package Number N16E

Fairchild does not assume any responsibility for use of any circuitry described, no circuit patent licenses are implied and Fairchild reserves the right at any time without notice to change said circuitry and specifications.

LIFE SUPPORT POLICY

FAIRCHILD'S PRODUCTS ARE NOT AUTHORIZED FOR USE AS CRITICAL COMPONENTS IN LIFE SUPPORT DEVICES OR SYSTEMS WITHOUT THE EXPRESS WRITTEN APPROVAL OF THE PRESIDENT OF FAIRCHILD SEMICONDUCTOR CORPORATION. As used herein:

1. Life support devices or systems are devices or systems which, (a) are intended for surgical implant into the body, or (b) support or sustain life, and (c) whose failure to perform when properly used in accordance with instructions for use provided in the labeling, can be reasonably expected to result in a significant injury to the user.
2. A critical component in any component of a life support device or system whose failure to perform can be reasonably expected to cause the failure of the life support device or system, or to affect its safety or effectiveness.

www.fairchildsemi.com

Mouser Electronics

Authorized Distributor

Click to View Pricing, Inventory, Delivery & Lifecycle Information:

[onsemi:](#)

[74ACT161SJ](#) [74ACT161SCX](#) [74ACT161SJX](#) [74ACT161MTC](#) [74ACT161MTCX](#) [74ACT161PC](#) [74ACT161SC](#)