

Analog Multiplexers/ Demultiplexers with Injection Current Effect Control

Automotive Customized

MC74HC4851A, MC74HC4852A, MC74HCT4851A, MC74HCT4852A

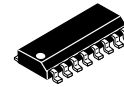
These devices are pin compatible to standard HC405x and MC1405xB analog mux/demux devices, but feature injection current effect control. This makes them especially suited for usage in automotive applications where voltages in excess of normal logic voltage are common.

The injection current effect control allows signals at disabled analog input channels to exceed the supply voltage range without affecting the signal of the enabled analog channel. This eliminates the need for external diode/resistor networks typically used to keep the analog channel signals within the supply voltage range.

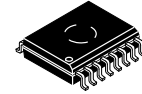
The devices utilize low power silicon gate CMOS technology. The Channel Select and Enable inputs are compatible with standard CMOS outputs.

Features

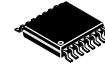
- Injection Current Cross-Coupling Less than 1 mV/mA (See Figure 10)
- Pin Compatible to HC405X and MC1405XB Devices
- Power Supply Range 2.0 to 6.0 V (HC), 4.5 to 5.5 V (HCT)
- In Compliance With the Requirements of JEDEC Standard No. 7 A
- Chip Complexity: 154 FETs or 36 Equivalent Gates
- -Q Suffix for Automotive and Other Applications Requiring Unique Site and Control Change Requirements; AEC-Q100 Qualified and PPAP Capable
- These Devices are Pb-Free, Halogen Free and are RoHS Compliant



SOIC-16
D SUFFIX
CASE 751B



SOIC-16 WIDE
DW SUFFIX
CASE 751G

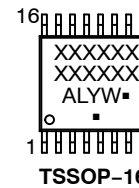
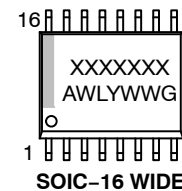
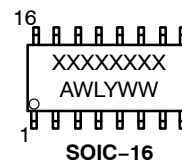


TSSOP-16
DT SUFFIX
CASE 948F



QFN16
MN SUFFIX
CASE 485AW

MARKING DIAGRAMS



*V4851 marking used for
NLV74HC4851AMN1TWG

XXXXXXX = Specific Device Code
A = Assembly Location
WL, L = Wafer Lot
YY, Y = Year
WW, W = Work Week
G or ■ = Pb-Free Package

(Note: Microdot may be in either location)

ORDERING INFORMATION

See detailed ordering and shipping information on page 15 of this data sheet.

MC74HC4851A, MC74HC4852A, MC74HCT4851A, MC74HCT4852A

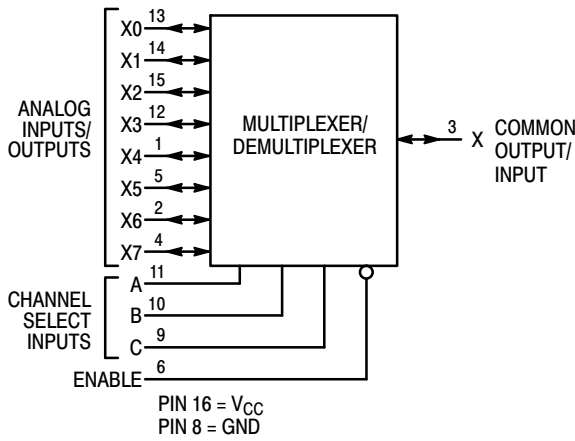


Figure 1. 4851A Logic Diagram
Single-Pole, 8-Position Plus Common Off

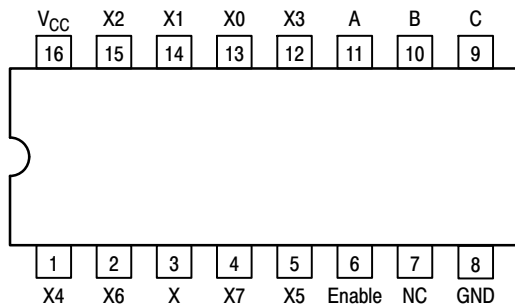


Figure 2. 4851A 16-Lead Pinout (Top View)

FUNCTION TABLE - 4851A

Control Inputs				ON Channels
Enable	Select			
	C	B	A	
L	L	L	L	X0
L	L	L	H	X1
L	L	H	L	X2
L	L	H	H	X3
L	H	L	L	X4
L	H	L	H	X5
L	H	H	L	X6
L	H	H	H	X7
H	X	X	X	NONE

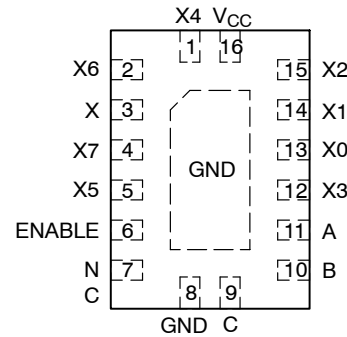


Figure 3. 4851A QFN Pinout

FUNCTION TABLE - 4852A

Control Inputs			ON Channels	
Enable	Select			
	B	A		
L	L	L	Y0	X0
L	L	H	Y1	X1
L	H	L	Y2	X2
L	H	H	Y3	X3
H	X	X	NONE	

X = Don't Care

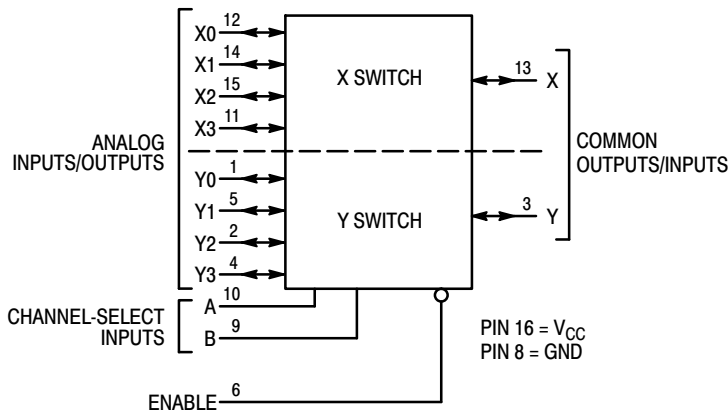


Figure 4. 4852A Logic Diagram
Double-Pole, 4-Position Plus Common Off

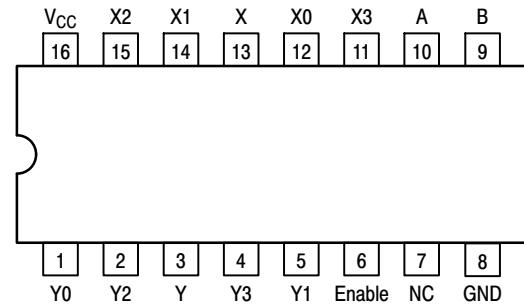


Figure 5. 4852A 16-Lead Pinout (Top View)

MC74HC4851A, MC74HC4852A, MC74HCT4851A, MC74HCT4852A

MAXIMUM RATINGS

Symbol	Parameter	Value	Unit	
V_{CC}	DC Supply Voltage	-0.5 to +6.5	V	
V_{IN}	DC Input Voltage	-0.5 to $V_{CC}+0.5$	V	
I_{IN}	DC Input Current, per Pin	±25	mA	
I_{CC}	DC Supply Current, V_{CC} and GND Pins	±50	mA	
I_{IK}	Input Clamp Current ($V_{IN} < 0$ or $V_{IN} > V_{CC}$)	±20	mA	
I_{OK}	Output Clamp Current ($V_{OUT} < 0$ or $V_{OUT} > V_{CC}$)	±20	mA	
T_{STG}	Storage Temperature Range	-65 to +150	°C	
T_L	Lead Temperature, 1 mm from Case for 10 secs	260	°C	
T_J	Junction Temperature Under Bias	+150	°C	
θ_{JA}	Thermal Resistance (Note 1)	SOIC-16	126	°C/W
		QFN16	118	
		TSSOP-16	159	
P_D	Power Dissipation in Still Air at 25°C	SOIC-16	995	mW
		QFN16	1062	
		TSSOP-16	787	
MSL	Moisture Sensitivity	Level 1	-	
F_R	Flammability Rating	Oxygen Index: 28 to 34	UL 94 V-0 @ 0.125 in	-
V_{ESD}	ESD Withstand Voltage (Note 2)	Human Body Model	> 2000	V
		Charged Device Model	N/A	

Stresses exceeding those listed in the Maximum Ratings table may damage the device. If any of these limits are exceeded, device functionality should not be assumed, damage may occur and reliability may be affected.

1. Measured with minimum pad spacing on an FR4 board, using 76 mm-by-114 mm, 2-ounce copper trace no air flow per JESD51-7.
2. HBM tested to EIA / JESD22-A114-A. CDM tested to JESD22-C101-A. JEDEC recommends that ESD qualification to EIA/JESD22-A115A (Machine Model) be discontinued.

RECOMMENDED OPERATING CONDITIONS

Symbol	Parameter	Min	Max	Unit
--------	-----------	-----	-----	------

MC74HC

V_{CC}	DC Supply Voltage (Referenced to GND)	2.0	6.0	V	
V_{IN}	DC Input Voltage – Any Pin (Referenced to GND)	0	V_{CC}	V	
V_{IO*}	Static or Dynamic Voltage Across Switch	0	1.2	V	
T_A	Operating Free-Air Temperature	-55	+125	°C	
t_r, t_f	Input Rise or Fall Time	$V_{CC} = 2.0\text{ V}$	0	1000	ns
		$V_{CC} = 4.5\text{ V}$	0	500	
		$V_{CC} = 6.0\text{ V}$	0	400	

MC74HCT

V_{CC}	DC Supply Voltage (Referenced to GND)	4.5	5.5	V	
V_{IN}	DC Input Voltage – Any Pin (Referenced to GND)	0	V_{CC}	V	
V_{IO*}	Static or Dynamic Voltage Across Switch	0	1.2	V	
T_A	Operating Free-Air Temperature	-55	+125	°C	
t_r, t_f	Input Rise or Fall Time	$V_{CC} = 4.5\text{ V}$	0	500	ns

Functional operation above the stresses listed in the Recommended Operating Ranges is not implied. Extended exposure to stresses beyond the Recommended Operating Ranges limits may affect device reliability.

3. Unused inputs must always be tied to an appropriate logic voltage level (e.g., either GND or VCC). Unused outputs must be left open.

MC74HC4851A, MC74HC4852A, MC74HCT4851A, MC74HCT4852A

DC CHARACTERISTICS – Digital Section (MC74HC4851A, MC74HC4852A)

Symbol	Parameter	Condition	V _{CC} V	Guaranteed Limit			Unit
				-55 to 25°C	≤85°C	≤125°C	
V _{IH}	Minimum High-Level Input Voltage, Channel-Select or Enable Inputs	R _{on} = Per Spec	2.0	1.50	1.50	1.50	V
			3.0	2.10	2.10	2.10	
			4.5	3.15	3.15	3.15	
			6.0	4.20	4.20	4.20	
V _{IL}	Maximum Low-Level Input Voltage, Channel-Select or Enable Inputs	R _{on} = Per Spec	2.0	0.50	0.50	0.50	V
			3.0	0.90	0.90	0.90	
			4.5	1.35	1.35	1.35	
			6.0	1.80	1.80	1.80	
I _{in}	Maximum Input Leakage Current on Digital Pins (Enable/A/B/C)	V _{in} = V _{CC} or GND	6.0	±0.1	±1.0	±1.0	μA
I _{CC}	Maximum Quiescent Supply Current (per Package)	V _{in(digital)} = V _{CC} or GND V _{in(analog)} = GND	6.0	2	20	40	μA

Product parametric performance is indicated in the Electrical Characteristics for the listed test conditions, unless otherwise noted. Product performance may not be indicated by the Electrical Characteristics if operated under different conditions.

DC CHARACTERISTICS – Analog Section (MC74HC4851A, MC74HC4852A)

Symbol	Parameter	Condition	V _{CC}	Guaranteed Limit			Unit
				-55 to 25°C	≤85°C	≤125°C	
R _{on}	Maximum "ON" Resistance	V _{in} = V _{IL} or V _{IH} ; V _{IS} = V _{CC} to GND (Note 4); I _S ≤ 2.0 mA (Note 5)	2.0	1700	1750	1800	Ω
			3.0	1100	1200	1300	
			4.5	550	650	750	
			6.0	400	500	600	
ΔR _{on}	Delta "ON" Resistance	V _{in} = V _{IL} or V _{IH} ; V _{IS} = V _{CC} /2 (Note 4); I _S ≤ 2.0 mA (Note 5)	2.0	300	400	500	Ω
			3.0	160	200	240	
			4.5	80	100	120	
			6.0	60	80	100	
I _{off}	Maximum Off-Channel Leakage Current, Any One Channel Common Channel	V _{in} = V _{CC} or GND	6.0	±0.1 ±0.1	±0.1 ±0.1	±0.1 ±0.1	μA
I _{on}	Maximum On-Channel Leakage Channel-to-Channel	V _{in} = V _{CC} or GND	6.0	±0.1	±0.1	±0.1	μA

Product parametric performance is indicated in the Electrical Characteristics for the listed test conditions, unless otherwise noted. Product performance may not be indicated by the Electrical Characteristics if operated under different conditions.

4. V_{IS} is the input voltage of an analog I/O pin.

5. I_S is the current flowing in or out of analog I/O pin.

AC CHARACTERISTICS (MC74HC4851A, MC74HC4852A) (C_L = 50 pF)

Symbol	Parameter	V _{CC}	-55 to 25°C	≤85°C	≤125°C	Unit
t _{PHL} , t _{PLH}	Maximum Propagation Delay, Analog Input to Analog Output	2.0	160	180	200	ns
		3.0	80	90	100	
		4.5	40	45	50	
		6.0	30	35	40	
t _{PHL} , t _{PHZ,PZH} t _{PLH} , t _{PLZ,PZL}	Maximum Propagation Delay, Enable or Channel-Select to Analog Output	2.0	260	280	300	ns
		3.0	160	180	200	
		4.5	80	90	100	
		6.0	78	80	80	
C _{in}	Maximum Input Capacitance (All Switches Off) Any Single Analog Pin (All Switches Off) Common Analog Pin		10	10	10	pF
			35	35	35	
			40	40	40	
C _{PD}	Power Dissipation Capacitance	Typical	5.0	20		pF

Product parametric performance is indicated in the Electrical Characteristics for the listed test conditions, unless otherwise noted. Product performance may not be indicated by the Electrical Characteristics if operated under different conditions.

MC74HC4851A, MC74HC4852A, MC74HCT4851A, MC74HCT4852A

INJECTION CURRENT COUPLING SPECIFICATIONS (MC74HC4851A, MC74HC4852A) ($V_{CC} = 5\text{ V}$, $T_A = -55^\circ\text{C}$ to $+125^\circ\text{C}$)

Symbol	Parameter	Condition	Typ	Max	Unit
$V_{\Delta out}$	Maximum Shift of Output Voltage of Enabled Analog Channel	$I_{in}^* \leq 1\text{ mA}$, $R_S \leq 3,9\text{ k}\Omega$ $I_{in}^* \leq 10\text{ mA}$, $R_S \leq 3,9\text{ k}\Omega$ $I_{in}^* \leq 1\text{ mA}$, $R_S \leq 20\text{ k}\Omega$ $I_{in}^* \leq 10\text{ mA}$, $R_S \leq 20\text{ k}\Omega$	0.1 1.0 0.5 5.0	1.0 5.0 2.0 20	mV

* I_{in} = Total current injected into all disabled channels.

DC CHARACTERISTICS – Digital Section (MC74HCT4851A, MC74HCT4852A)

Symbol	Parameter	Condition	V_{CC} V	Guaranteed Limit			Unit
				-55 to 25°C	≤85°C	≤125°C	
V_{IH}	Minimum High-Level Input Voltage, Channel-Select or Enable Inputs	$R_{on} = \text{Per Spec}$	4.5 to 5.5	2.0	2.0	2.0	V
V_{IL}	Maximum Low-Level Input Voltage, Channel-Select or Enable Inputs	$R_{on} = \text{Per Spec}$	4.5 to 5.5	0.8	0.8	0.8	V
I_{in}	Maximum Input Leakage Current on Digital Pins (Enable/A/B/C)	$V_{in} = V_{CC}$ or GND	5.5	± 0.1	± 1.0	± 1.0	μA
I_{CC}	Maximum Quiescent Supply Current (per Package)	$V_{in(digital)} = V_{CC}$ or GND $V_{in(analog)} = \text{GND}$	5.5	2.0	20	40	μA

Product parametric performance is indicated in the Electrical Characteristics for the listed test conditions, unless otherwise noted. Product performance may not be indicated by the Electrical Characteristics if operated under different conditions.

DC CHARACTERISTICS – Analog Section (MC74HCT4851A, MC74HCT4852A)

Symbol	Parameter	Condition	V_{CC}	Guaranteed Limit			Unit
				-55 to 25°C	≤85°C	≤125°C	
R_{on}	Maximum "ON" Resistance	$V_{in} = V_{IL}$ or V_{IH} ; $V_{IS} = V_{CC}$ to GND (Note 4); $I_S \leq 2.0\text{ mA}$ (Note 5)	4.5 5.5	550 400	650 500	750 600	Ω
ΔR_{on}	Delta "ON" Resistance	$V_{in} = V_{IL}$ or V_{IH} ; $V_{IS} = V_{CC}/2$ (Note 4); $I_S \leq 2.0\text{ mA}$ (Note 5)	4.5 5.5	80 60	100 80	120 100	Ω
I_{off}	Maximum Off-Channel Leakage Current, Any One Channel Common Channel	$V_{in} = V_{CC}$ or GND	5.5	±0.1 ±0.1	±0.1 ±0.1	±0.1 ±0.1	μA
I_{on}	Maximum On-Channel Leakage Channel-to-Channel	$V_{in} = V_{CC}$ or GND	5.5	±0.1	±0.1	±0.1	μA

Product parametric performance is indicated in the Electrical Characteristics for the listed test conditions, unless otherwise noted. Product performance may not be indicated by the Electrical Characteristics if operated under different conditions.

MC74HC4851A, MC74HC4852A, MC74HCT4851A, MC74HCT4852A

AC CHARACTERISTICS (MC74HCT4851A, MC74HCT4852A) ($C_L = 50$ pF)

Symbol	Parameter	V_{CC}	-55 to 25°C	≤85°C	≤125°C	Unit
t_{PHL} , t_{PLH}	Maximum Propagation Delay, Analog Input to Analog Output	5.0	40	45	50	ns
t_{PHL} , $t_{PHZ,PZH}$, t_{PLH} , $t_{PLZ,PZL}$	Maximum Propagation Delay, Enable or Channel-Select to Analog Output	5.0	80	90	100	ns
C_{in}	Maximum Input Capacitance (All Switches Off)					pF
	Digital Pins		10	10	10	
	Any Single Analog Pin		35	35	35	
	Common Analog Pin		40	40	40	
C_{PD}	Power Dissipation Capacitance Typical	5.0	20			pF

Product parametric performance is indicated in the Electrical Characteristics for the listed test conditions, unless otherwise noted. Product performance may not be indicated by the Electrical Characteristics if operated under different conditions.

INJECTION CURRENT COUPLING SPECIFICATIONS (MC74HCT4851A, MC74HCT4852A) ($V_{CC} = 5$ V, $T_A = -55^\circ\text{C}$ to $+125^\circ\text{C}$)

Symbol	Parameter	Condition	Typ	Max	Unit
$V_{\Delta_{out}}$	Maximum Shift of Output Voltage of Enabled Analog Channel	$I_{in}^* \leq 1$ mA, $R_S \leq 3,9$ k Ω	0.1	1.0	mV
		$I_{in}^* \leq 10$ mA, $R_S \leq 3,9$ k Ω	1.0	5.0	
		$I_{in}^* \leq 1$ mA, $R_S \leq 20$ k Ω	0.5	2.0	
		$I_{in}^* \leq 10$ mA, $R_S \leq 20$ k Ω	5.0	20	

* I_{in} = Total current injected into all disabled channels.

MC74HC4851A, MC74HC4852A, MC74HCT4851A, MC74HCT4852A

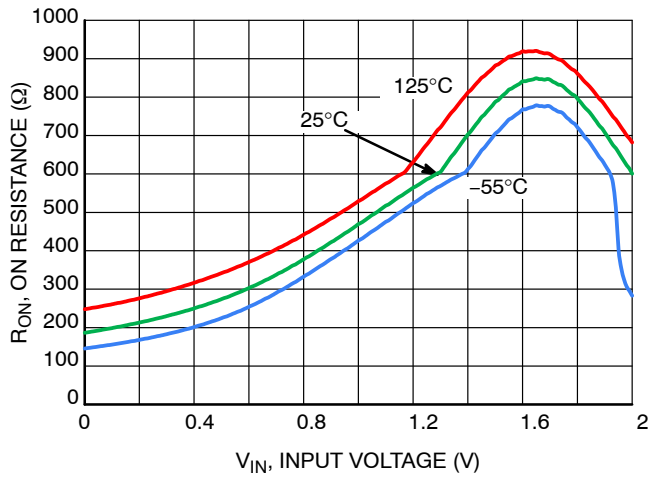


Figure 6. Typical On Resistance $V_{CC} = 2\text{ V}$

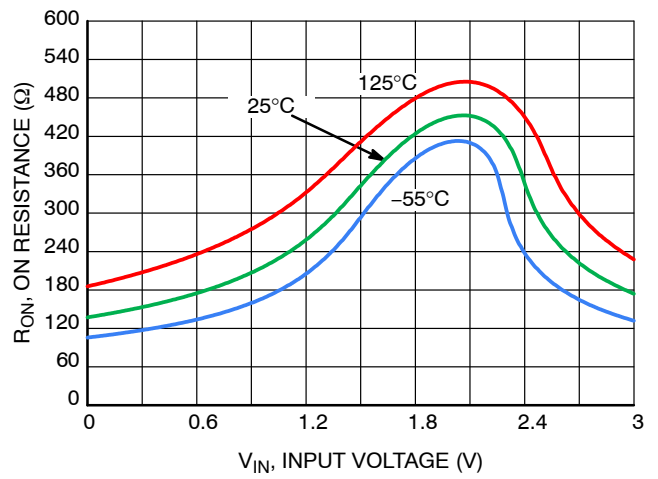


Figure 7. Typical On Resistance $V_{CC} = 3\text{ V}$

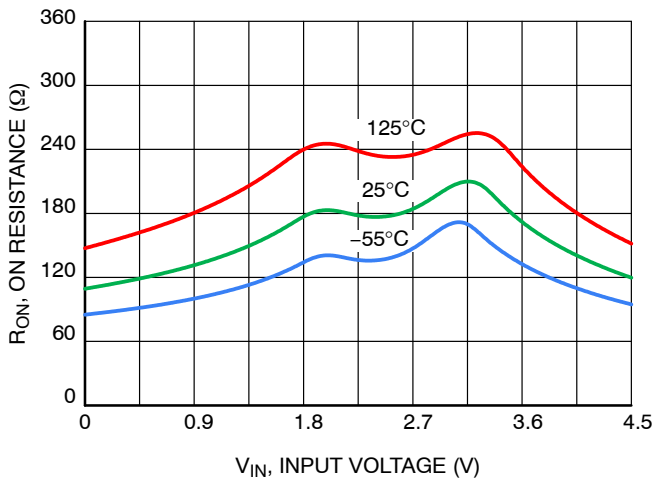


Figure 8. Typical On Resistance $V_{CC} = 4.5\text{ V}$

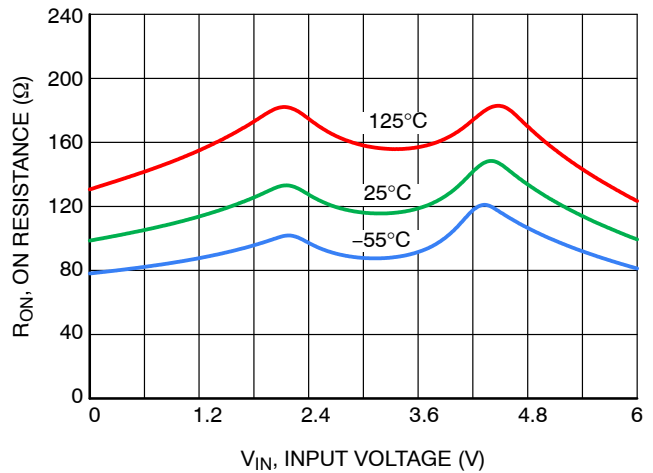


Figure 9. Typical On Resistance $V_{CC} = 6\text{ V}$

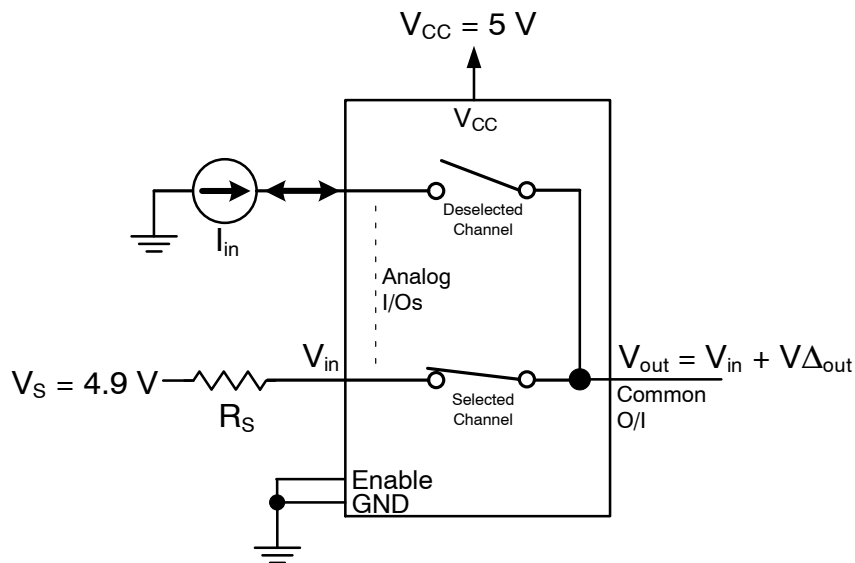


Figure 10. Injection Current Coupling Specification

TEST SETUPS

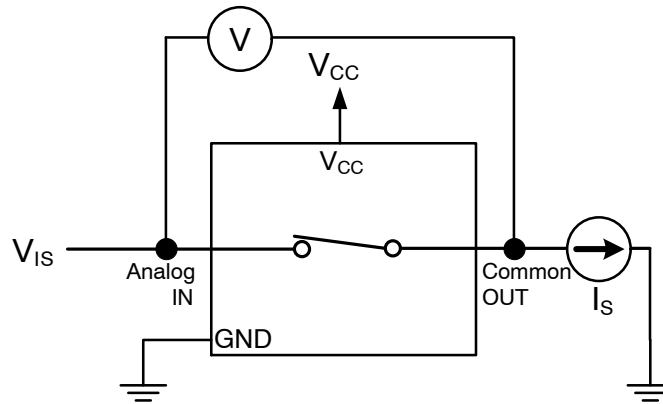


Figure 13. On Resistance

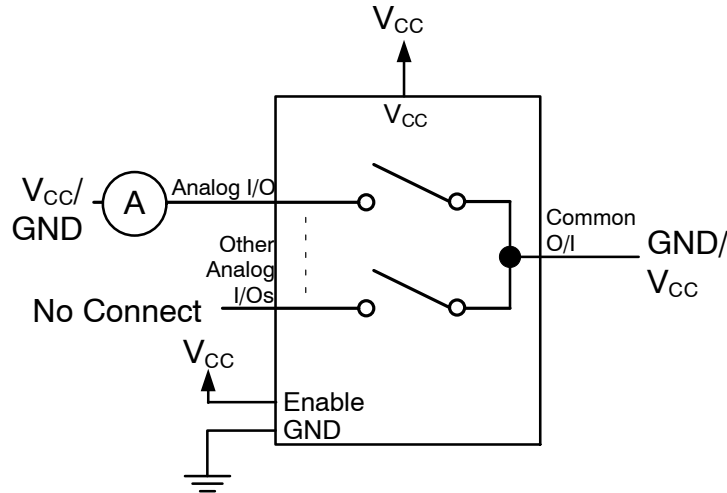


Figure 14. Maximum Off Channel Leakage Current, Any One Channel

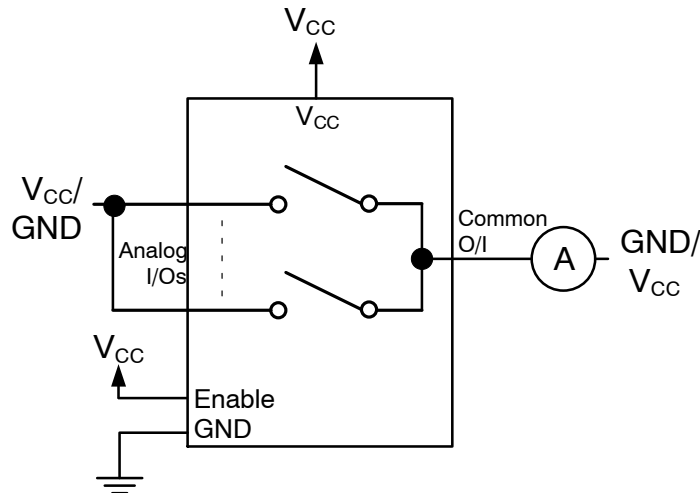


Figure 15. Maximum Off Channel Leakage Current, Common Channel

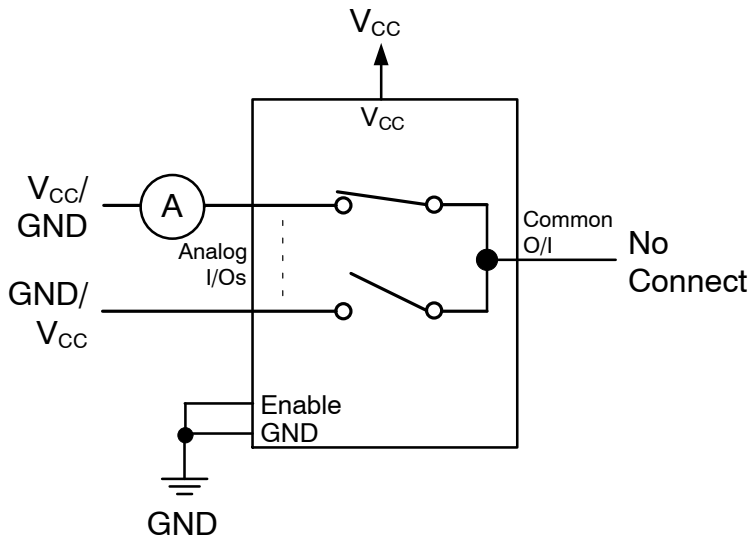
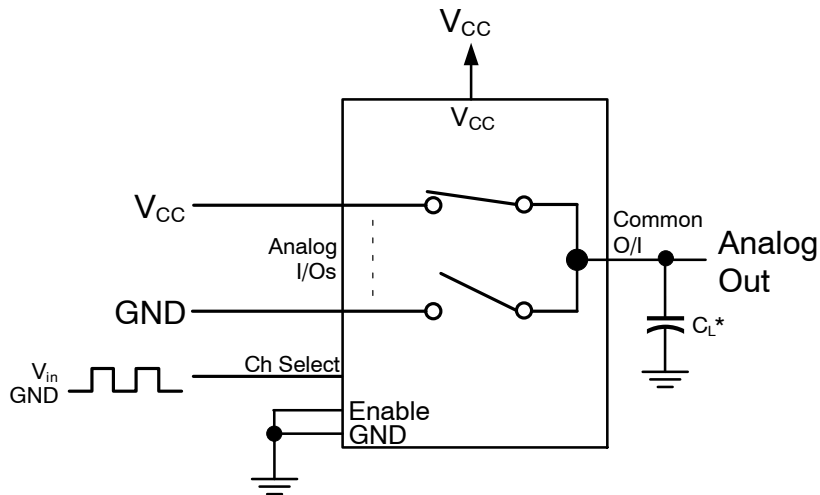
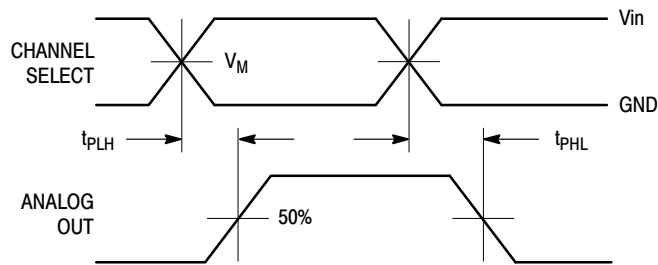


Figure 16. Maximum On Channel Leakage Current, Channel to Channel



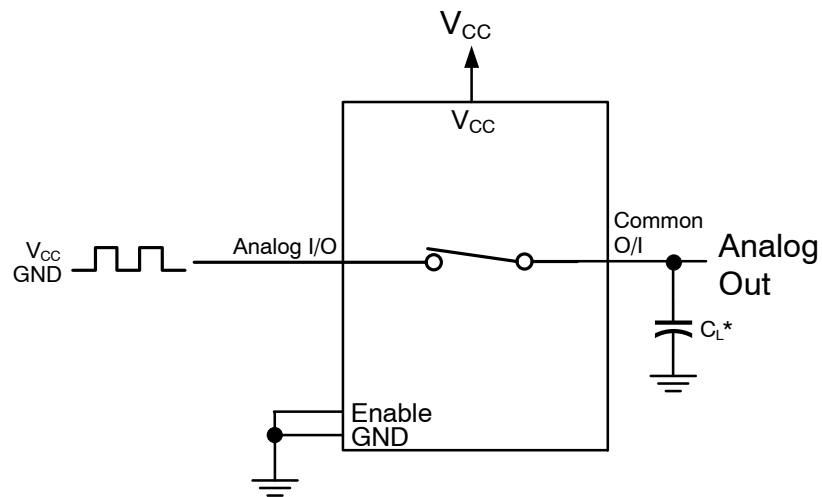
*Includes all probe and jig capacitance.



$V_{in} = V_{CC}$ for HC, 3 V for HCT
 $V_M = 50\% \times V_{CC}$ for HC, 1.3 V for HCT

Figure 17. Propagation Delay, Channel Select to Analog Out

MC74HC4851A, MC74HC4852A, MC74HCT4851A, MC74HCT4852A



*Includes all probe and jig capacitance.

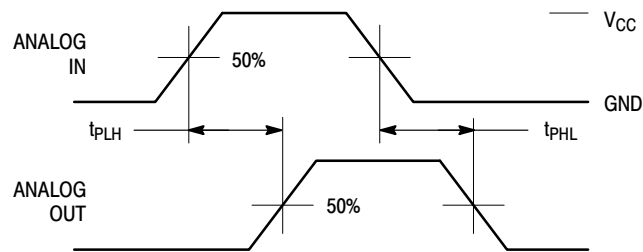
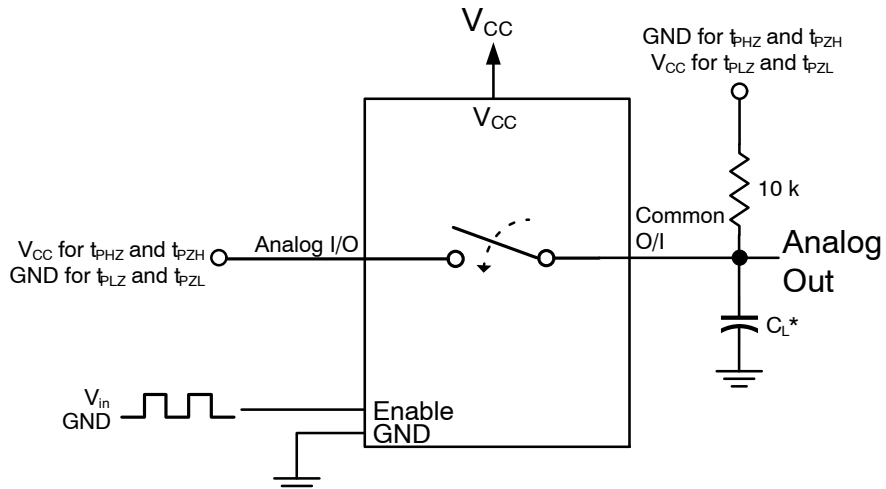


Figure 18. Propagation Delay, Analog In to Analog Out



*Includes all probe and jig capacitance.

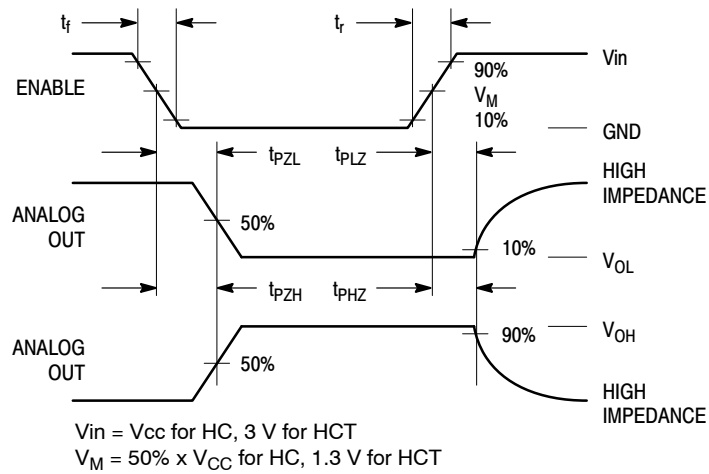


Figure 19. Propagation Delay, Enable to Analog Out

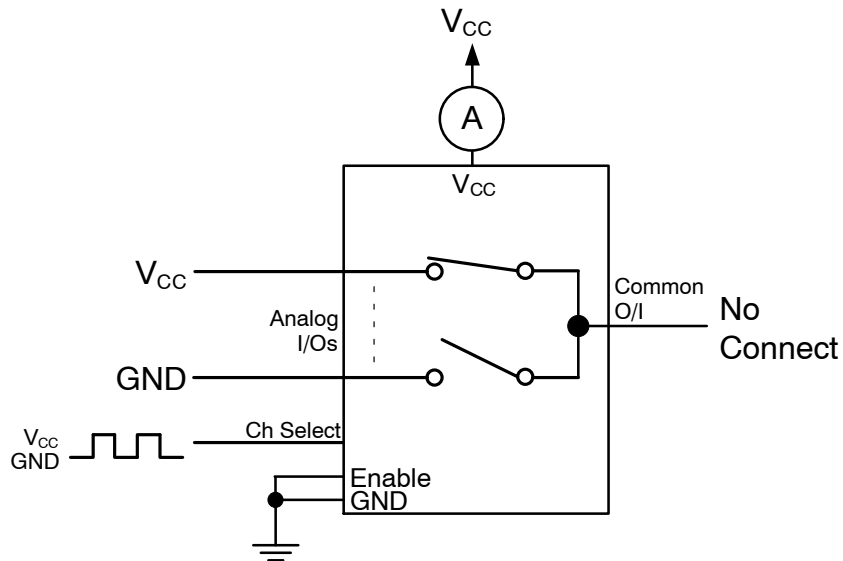


Figure 20. Power Dissipation Capacitance

MC74HC4851A, MC74HC4852A, MC74HCT4851A, MC74HCT4852A

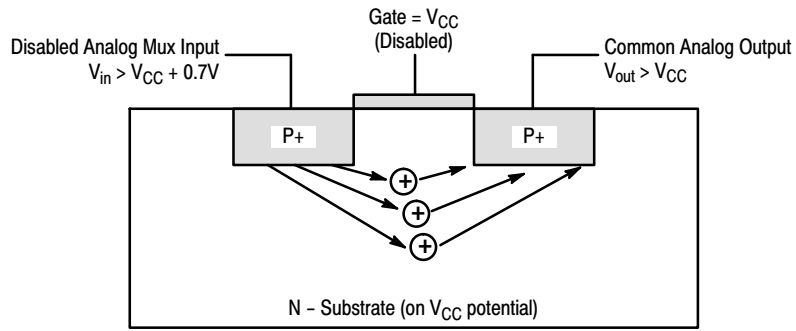


Figure 21. Diagram of Bipolar Coupling Mechanism
 Appears if V_{in} exceeds V_{CC} , driving injection current into the substrate

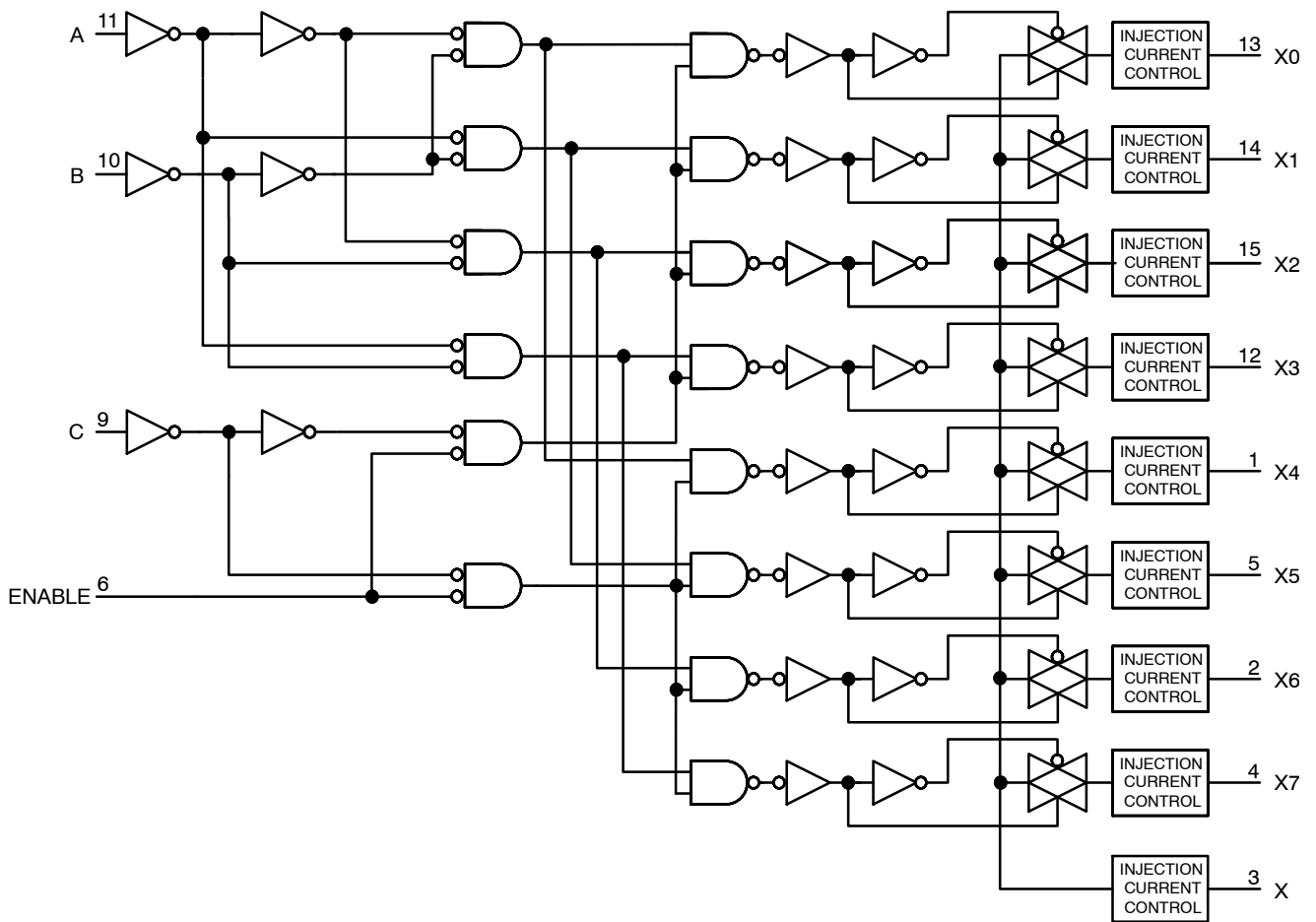


Figure 22. Function Diagram, 4851A

MC74HC4851A, MC74HC4852A, MC74HCT4851A, MC74HCT4852A

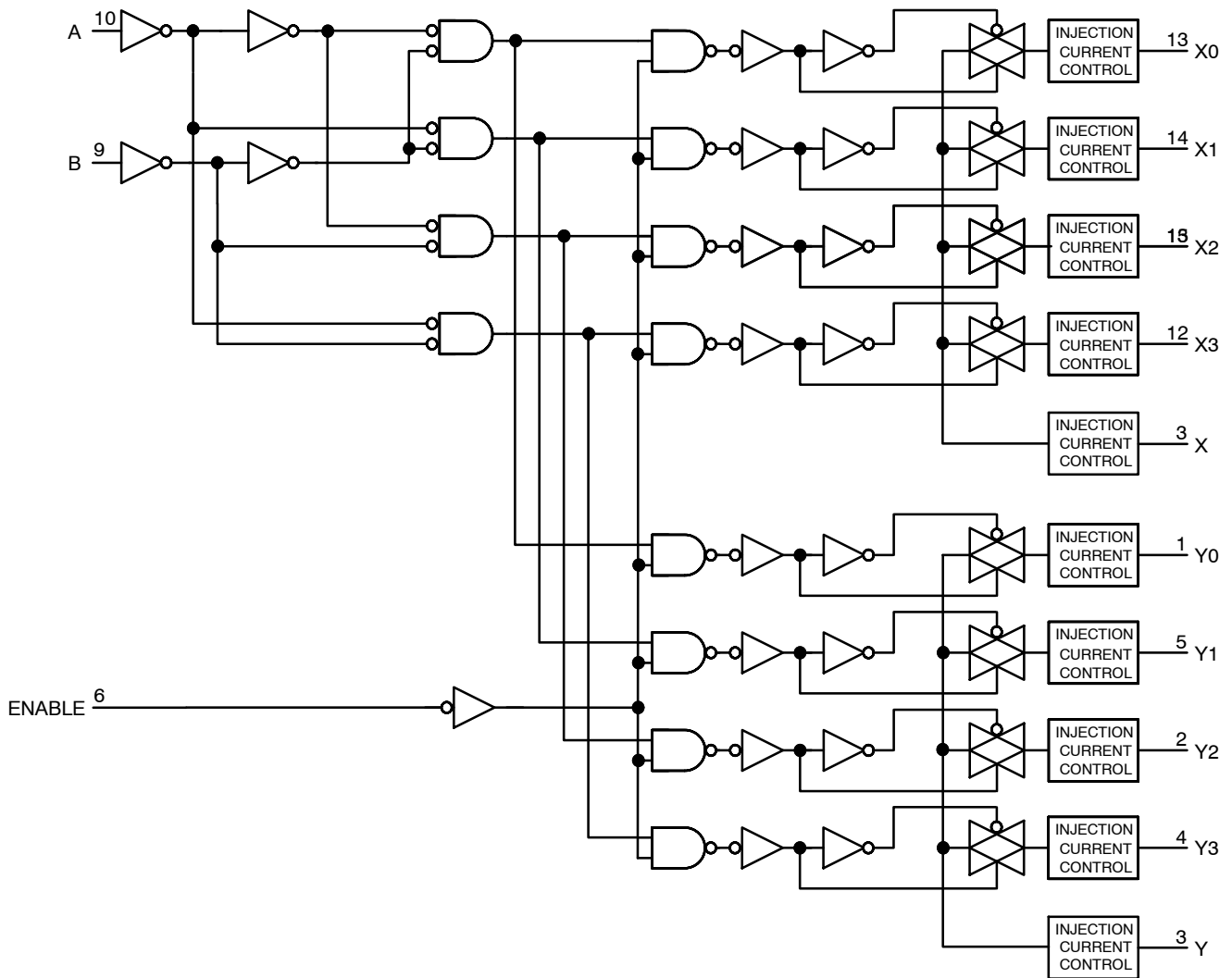


Figure 23. Function Diagram, 4852A

MC74HC4851A, MC74HC4852A, MC74HCT4851A, MC74HCT4852A

ORDERING INFORMATION

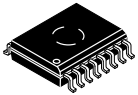
Device	Marking	Package	Shipping [†]
MC74HC4851ADG	HC4851AG	SOIC-16	55 Units / Rail
MC74HC4851ADR2G	HC4851AG	SOIC-16	2500 / Tape & Reel
MC74HC4851ADR2G-Q*	HC4851AG	SOIC-16	2500 / Tape & Reel
MC74HC4851ADTR2G	HC48 51A	TSSOP-16	2500 / Tape & Reel
MC74HC4851ADTR2G-Q*	HC48 51A	TSSOP-16	2500 / Tape & Reel
MC74HC4851AMN1TWG-Q*	4851	QFN-16	3000 / Tape & Reel
MC74HC4852ADR2G	HC4852AG	SOIC-16	2500 / Tape & Reel
MC74HC4852ADR2G-Q*	HC4852AG	SOIC-16	2500 / Tape & Reel
MC74HC4852ADTR2G	HC48 52A	TSSOP-16	2500 / Tape & Reel
MC74HC4852ADTR2G-Q*	HC48 52A	TSSOP-16	2500 / Tape & Reel
MC74HCT4851ADR2G	HCT4851AG	SOIC-16	2500 / Tape & Reel
MC74HCT4851ADTR2G	HCT4 851A	TSSOP-16	2500 / Tape & Reel
MC74HCT4851ADTR2G-Q*	HCT4 851A	TSSOP-16	2500 / Tape & Reel
MC74HCT4852ADR2G	HCT4852AG	SOIC-16	2500 / Tape & Reel
MC74HCT4852ADTR2G	HCT4 852A	TSSOP-16	2500 / Tape & Reel

[†]For information on tape and reel specifications, including part orientation and tape sizes, please refer to our Tape and Reel Packaging Specifications Brochure, BRD8011/D.

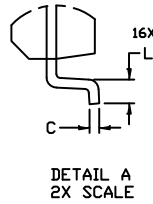
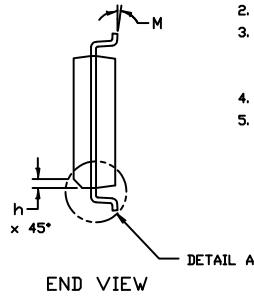
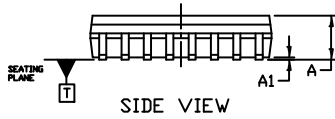
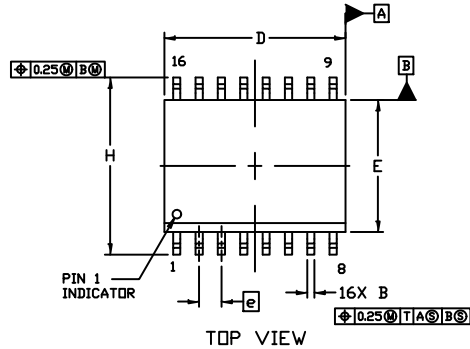
*-Q Suffix for Automotive and Other Applications Requiring Unique Site and Control Change Requirements; AEC-Q100 Qualified and PPAP Capable.

MC74HC4851A, MC74HC4852A, MC74HCT4851A, MC74HCT4852A

PACKAGE DIMENSIONS



1
SCALE 1:1

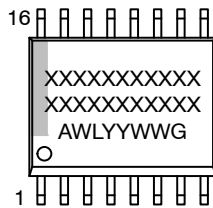


NOTES:

1. DIMENSIONING AND TOLERANCING PER ASME Y14.5M, 1994.
2. CONTROLLING DIMENSION: MILLIMETERS
3. DIMENSION b DOES NOT INCLUDE DAMBAR PROTRUSION. ALLOWABLE PROTRUSION SHALL BE 0.13 TOTAL IN EXCESS OF B DIMENSION AT MAXIMUM MATERIAL CONDITION.
4. DIMENSIONS D AND E DO NOT INCLUDE MOLD PROTRUSIONS.
5. MAXIMUM MOLD PROTRUSION OR FLASH TO BE 0.15 PER SIDE.

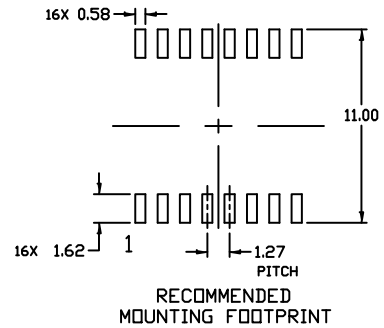
DIM	MILLIMETERS	
	MIN.	MAX.
A	2.35	2.65
A1	0.10	0.25
B	0.35	0.49
C	0.23	0.32
D	10.15	10.45
E	7.40	7.60
e	1.27 BSC	
H	10.05	10.55
h	0.53 REF	
L	0.50	0.90
M	0°	7°

GENERIC MARKING DIAGRAM*



- XXXXXX = Specific Device Code
- A = Assembly Location
- WL = Wafer Lot
- YY = Year
- WW = Work Week
- G = Pb-Free Package

*This information is generic. Please refer to device data sheet for actual part marking. Pb-Free indicator, "G" or microdot "•", may or may not be present. Some products may not follow the Generic Marking.



MC74HC4851A, MC74HC4852A, MC74HCT4851A, MC74HCT4852A

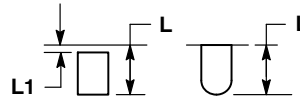
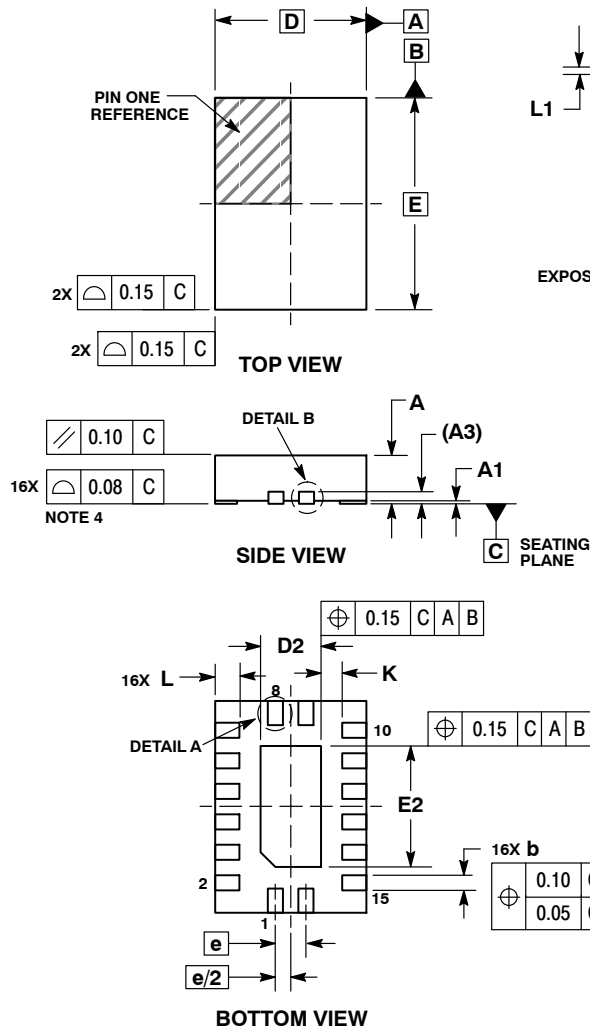
PACKAGE DIMENSIONS



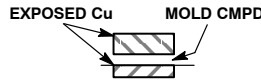
SCALE 2:1

QFN16, 2.5x3.5, 0.5P
CASE 485AW
ISSUE O

DATE 11 DEC 2008



DETAIL A
ALTERNATE TERMINAL
CONSTRUCTIONS



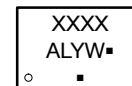
DETAIL B
ALTERNATE
CONSTRUCTIONS

NOTES:

1. DIMENSIONING AND TOLERANCING PER ASME Y14.5M, 1994.
2. CONTROLLING DIMENSION: MILLIMETERS.
3. DIMENSIONS b APPLIES TO PLATED TERMINAL AND IS MEASURED BETWEEN 0.15 AND 0.30 MM FROM TERMINAL.
4. COPLANARITY APPLIES TO THE EXPOSED PAD AS WELL AS THE TERMINALS.

MILLIMETERS		
DIM	MIN	MAX
A	0.80	1.00
A1	0.00	0.05
A3	0.20 REF	
b	0.20	0.30
D	2.50 BSC	
D2	0.85	1.15
E	3.50 BSC	
E2	1.85	2.15
e	0.50 BSC	
K	0.20	---
L	0.35	0.45
L1	---	0.15

**GENERIC MARKING
DIAGRAM***

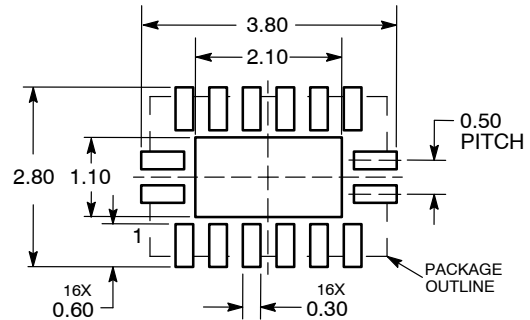


- XXXX = Specific Device Code
- A = Assembly Location
- L = Wafer Lot
- Y = Year
- W = Work Week
- = Pb-Free Package

(Note: Microdot may be in either location)

*This information is generic. Please refer to device data sheet for actual part marking. Pb-Free indicator, "G" or microdot "▪", may or may not be present. Some products may not follow the Generic Marking.

**RECOMMENDED
SOLDERING FOOTPRINT***



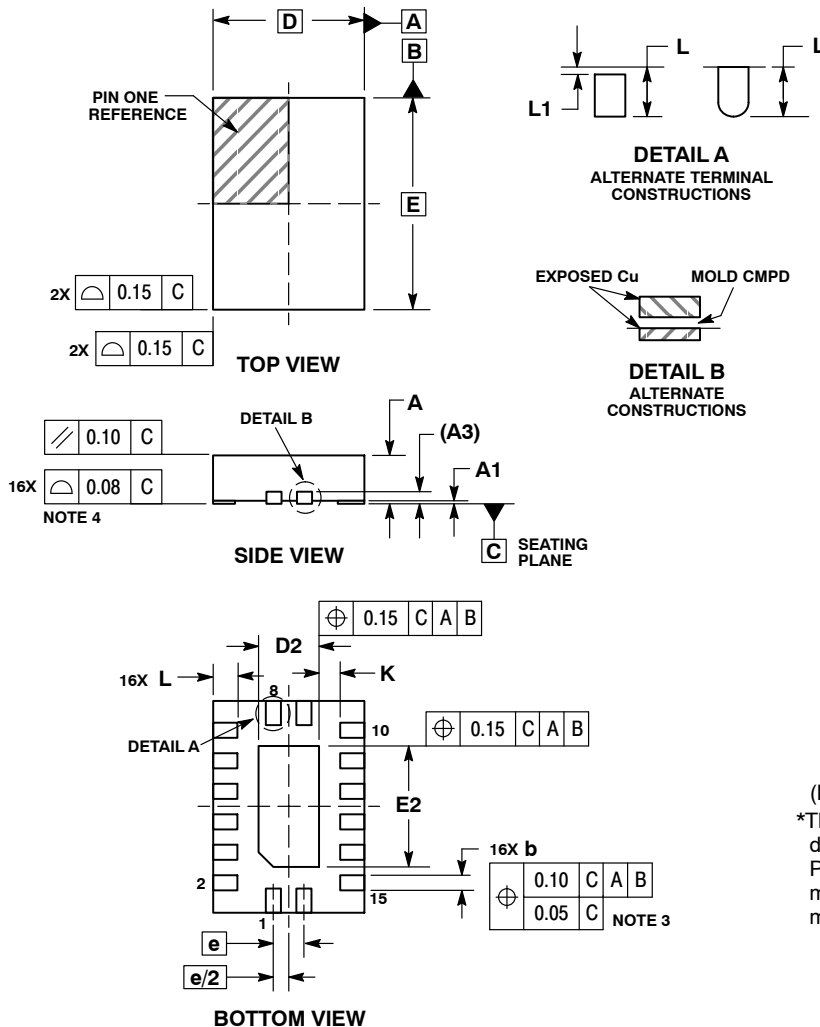
*For additional information on our Pb-Free strategy and soldering details, please download the **onsemi** Soldering and Mounting Techniques Reference Manual, SOLDERRM/D.



SCALE 2:1

QFN16, 2.5x3.5, 0.5P
CASE 485AW
ISSUE O

DATE 11 DEC 2008

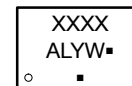


NOTES:

1. DIMENSIONING AND TOLERANCING PER ASME Y14.5M, 1994.
2. CONTROLLING DIMENSION: MILLIMETERS.
3. DIMENSIONS b APPLIES TO PLATED TERMINAL AND IS MEASURED BETWEEN 0.15 AND 0.30 MM FROM TERMINAL.
4. COPLANARITY APPLIES TO THE EXPOSED PAD AS WELL AS THE TERMINALS.

DIM	MILLIMETERS	
	MIN	MAX
A	0.80	1.00
A1	0.00	0.05
A3	0.20 REF	
b	0.20	0.30
D	2.50 BSC	
D2	0.85	1.15
E	3.50 BSC	
E2	1.85	2.15
e	0.50 BSC	
K	0.20	---
L	0.35	0.45
L1	---	0.15

GENERIC MARKING
DIAGRAM*

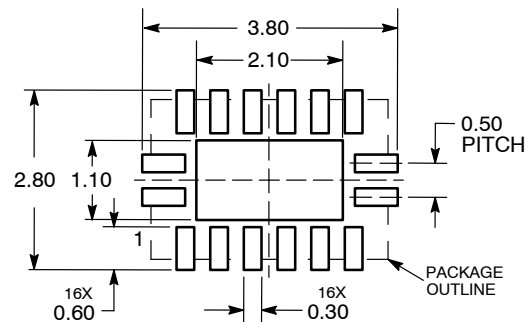


- XXXX = Specific Device Code
- A = Assembly Location
- L = Wafer Lot
- Y = Year
- W = Work Week
- = Pb-Free Package

(Note: Microdot may be in either location)

*This information is generic. Please refer to device data sheet for actual part marking. Pb-Free indicator, "G" or microdot "▪", may or may not be present. Some products may not follow the Generic Marking.

RECOMMENDED
SOLDERING FOOTPRINT*

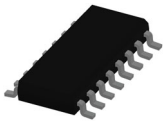


DIMENSIONS: MILLIMETERS

*For additional information on our Pb-Free strategy and soldering details, please download the onsemi Soldering and Mounting Techniques Reference Manual, SOLDERRM/D.

DOCUMENT NUMBER:	98AON36347E	Electronic versions are uncontrolled except when accessed directly from the Document Repository. Printed versions are uncontrolled except when stamped "CONTROLLED COPY" in red.
DESCRIPTION:	QFN16, 2.5X3.5, 0.5P	PAGE 1 OF 1

onsemi and Onsemi are trademarks of Semiconductor Components Industries, LLC dba onsemi or its subsidiaries in the United States and/or other countries. onsemi reserves the right to make changes without further notice to any products herein. onsemi makes no warranty, representation or guarantee regarding the suitability of its products for any particular purpose, nor does onsemi assume any liability arising out of the application or use of any product or circuit, and specifically disclaims any and all liability, including without limitation special, consequential or incidental damages. onsemi does not convey any license under its patent rights nor the rights of others.

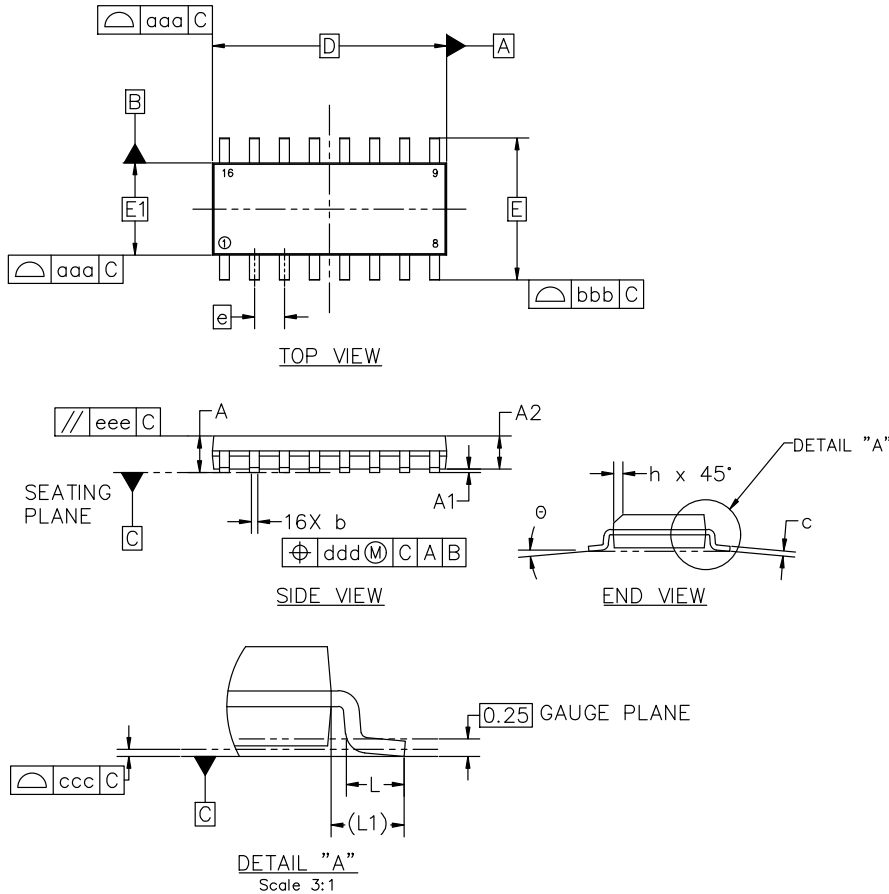


SOIC-16 9.90x3.90x1.37 1.27P
CASE 751B
ISSUE M

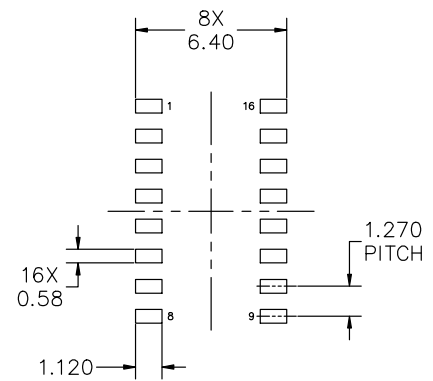
DATE 18 OCT 2024

NOTES:

1. DIMENSIONING AND TOLERANCING PER ASME Y14.5M, 2018.
2. DIMENSION IN MILLIMETERS. ANGLE IN DEGREES.
3. DIMENSIONS D AND E1 DO NOT INCLUDE MOLD PROTRUSION.
4. MAXIMUM MOLD PROTRUSION 0.15mm PER SIDE.
5. DIMENSION b DOES NOT INCLUDE DAMBAR PROTRUSION. ALLOWABLE DAMBAR PROTRUSION SHALL BE 0.127mm TOTAL IN EXCESS OF THE b DIMENSION AT MAXIMUM MATERIAL CONDITION.



MILLIMETERS			
DIM	MIN	NOM	MAX
A	1.35	1.55	1.75
A1	0.10	0.18	0.25
A2	1.25	1.37	1.50
b	0.35	0.42	0.49
c	0.19	0.22	0.25
D	9.90 BSC		
E	6.00 BSC		
E1	3.90 BSC		
e	1.27 BSC		
h	0.25	---	0.50
L	0.40	0.83	1.25
L1	1.05 REF		
θ	0°	---	7°
TOLERANCE OF FORM AND POSITION			
aaa	0.10		
bbb	0.20		
ccc	0.10		
ddd	0.25		
eee	0.10		



RECOMMENDED MOUNTING FOOTPRINT

*FOR ADDITIONAL INFORMATION ON OUR PB-FREE STRATEGY AND SOLDERING DETAILS, PLEASE DOWNLOAD THE onsemi SOLDERING AND MOUNTING TECHNIQUES REFERENCE MANUAL, SOLDERM/D

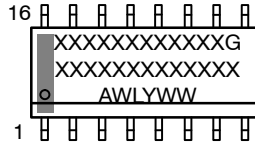
DOCUMENT NUMBER:	98ASB42566B	Electronic versions are uncontrolled except when accessed directly from the Document Repository. Printed versions are uncontrolled except when stamped "CONTROLLED COPY" in red.
DESCRIPTION:	SOIC-16 9.90X3.90X1.37 1.27P	PAGE 1 OF 2

onsemi and onSEMI are trademarks of Semiconductor Components Industries, LLC dba onsemi or its subsidiaries in the United States and/or other countries. onsemi reserves the right to make changes without further notice to any products herein. onsemi makes no warranty, representation or guarantee regarding the suitability of its products for any particular purpose, nor does onsemi assume any liability arising out of the application or use of any product or circuit, and specifically disclaims any and all liability, including without limitation special, consequential or incidental damages. onsemi does not convey any license under its patent rights nor the rights of others.

SOIC-16 9.90x3.90x1.37 1.27P
CASE 751B
ISSUE M

DATE 18 OCT 2024

**GENERIC
MARKING DIAGRAM***



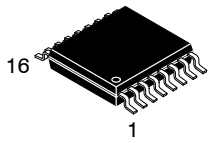
XXXXX = Specific Device Code
A = Assembly Location
WL = Wafer Lot
Y = Year
WW = Work Week
G = Pb-Free Package

*This information is generic. Please refer to device data sheet for actual part marking. Pb-Free indicator, "G" or microdot "•", may or may not be present. Some products may not follow the Generic Marking.

<p>STYLE 1:</p> <p>PIN 1. COLLECTOR 2. BASE 3. EMITTER 4. NO CONNECTION 5. EMITTER 6. BASE 7. COLLECTOR 8. COLLECTOR 9. BASE 10. EMITTER 11. NO CONNECTION 12. EMITTER 13. BASE 14. COLLECTOR 15. EMITTER 16. COLLECTOR</p>	<p>STYLE 2:</p> <p>PIN 1. CATHODE 2. ANODE 3. NO CONNECTION 4. CATHODE 5. CATHODE 6. NO CONNECTION 7. ANODE 8. CATHODE 9. CATHODE 10. ANODE 11. NO CONNECTION 12. CATHODE 13. CATHODE 14. NO CONNECTION 15. ANODE 16. CATHODE</p>	<p>STYLE 3:</p> <p>PIN 1. COLLECTOR, DYE #1 2. BASE, #1 3. EMITTER, #1 4. COLLECTOR, #1 5. COLLECTOR, #2 6. BASE, #2 7. EMITTER, #2 8. COLLECTOR, #2 9. COLLECTOR, #3 10. BASE, #3 11. EMITTER, #3 12. COLLECTOR, #3 13. COLLECTOR, #4 14. BASE, #4 15. EMITTER, #4 16. COLLECTOR, #4</p>	<p>STYLE 4:</p> <p>PIN 1. COLLECTOR, DYE #1 2. COLLECTOR, #1 3. COLLECTOR, #2 4. COLLECTOR, #2 5. COLLECTOR, #3 6. COLLECTOR, #3 7. COLLECTOR, #4 8. COLLECTOR, #4 9. BASE, #4 10. EMITTER, #4 11. BASE, #3 12. EMITTER, #3 13. BASE, #2 14. EMITTER, #2 15. BASE, #1 16. EMITTER, #1</p>
<p>STYLE 5:</p> <p>PIN 1. DRAIN, DYE #1 2. DRAIN, #1 3. DRAIN, #2 4. DRAIN, #2 5. DRAIN, #3 6. DRAIN, #3 7. DRAIN, #4 8. DRAIN, #4 9. GATE, #4 10. SOURCE, #4 11. GATE, #3 12. SOURCE, #3 13. GATE, #2 14. SOURCE, #2 15. GATE, #1 16. SOURCE, #1</p>	<p>STYLE 6:</p> <p>PIN 1. CATHODE 2. CATHODE 3. CATHODE 4. CATHODE 5. CATHODE 6. CATHODE 7. CATHODE 8. CATHODE 9. ANODE 10. ANODE 11. ANODE 12. ANODE 13. ANODE 14. ANODE 15. ANODE 16. ANODE</p>	<p>STYLE 7:</p> <p>PIN 1. SOURCE N-CH 2. COMMON DRAIN (OUTPUT) 3. COMMON DRAIN (OUTPUT) 4. GATE P-CH 5. COMMON DRAIN (OUTPUT) 6. COMMON DRAIN (OUTPUT) 7. COMMON DRAIN (OUTPUT) 8. SOURCE P-CH 9. SOURCE P-CH 10. COMMON DRAIN (OUTPUT) 11. COMMON DRAIN (OUTPUT) 12. COMMON DRAIN (OUTPUT) 13. GATE N-CH 14. COMMON DRAIN (OUTPUT) 15. COMMON DRAIN (OUTPUT) 16. SOURCE N-CH</p>	

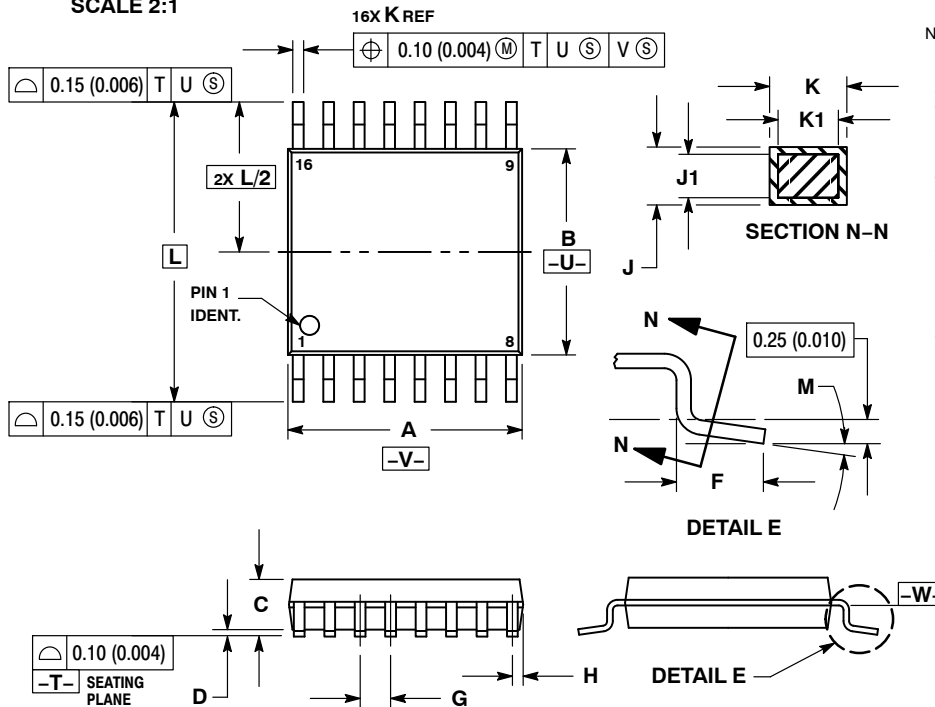
DOCUMENT NUMBER:	98ASB42566B	Electronic versions are uncontrolled except when accessed directly from the Document Repository. Printed versions are uncontrolled except when stamped "CONTROLLED COPY" in red.
DESCRIPTION:	SOIC-16 9.90X3.90X1.37 1.27P	PAGE 2 OF 2

onsemi and **ONSEMI** are trademarks of Semiconductor Components Industries, LLC dba **onsemi** or its subsidiaries in the United States and/or other countries. **onsemi** reserves the right to make changes without further notice to any products herein. **onsemi** makes no warranty, representation or guarantee regarding the suitability of its products for any particular purpose, nor does **onsemi** assume any liability arising out of the application or use of any product or circuit, and specifically disclaims any and all liability, including without limitation special, consequential or incidental damages. **onsemi** does not convey any license under its patent rights nor the rights of others.



TSSOP-16 WB
CASE 948F
ISSUE B

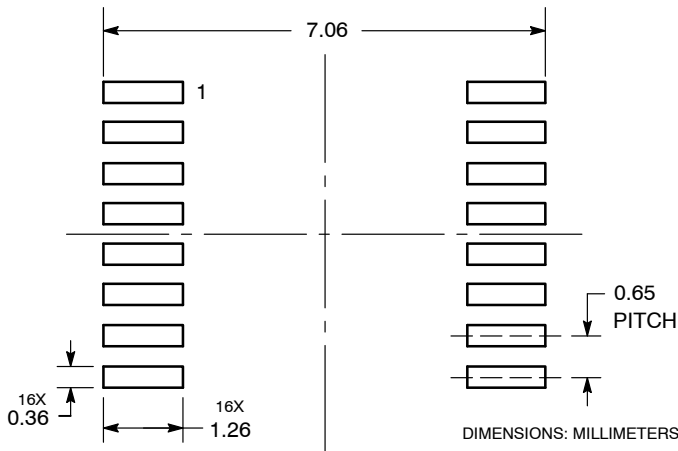
DATE 19 OCT 2006



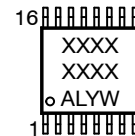
- NOTES:
1. DIMENSIONING AND TOLERANCING PER ANSI Y14.5M, 1982.
 2. CONTROLLING DIMENSION: MILLIMETER.
 3. DIMENSION A DOES NOT INCLUDE MOLD FLASH, PROTRUSIONS OR GATE BURRS. MOLD FLASH OR GATE BURRS SHALL NOT EXCEED 0.15 (0.006) PER SIDE.
 4. DIMENSION B DOES NOT INCLUDE INTERLEAD FLASH OR PROTRUSION. INTERLEAD FLASH OR PROTRUSION SHALL NOT EXCEED 0.25 (0.010) PER SIDE.
 5. DIMENSION K DOES NOT INCLUDE DAMBAR PROTRUSION. ALLOWABLE DAMBAR PROTRUSION SHALL BE 0.08 (0.003) TOTAL IN EXCESS OF THE K DIMENSION AT MAXIMUM MATERIAL CONDITION.
 6. TERMINAL NUMBERS ARE SHOWN FOR REFERENCE ONLY.
 7. DIMENSION A AND B ARE TO BE DETERMINED AT DATUM PLANE -W-.

DIM	MILLIMETERS		INCHES	
	MIN	MAX	MIN	MAX
A	4.90	5.10	0.193	0.200
B	4.30	4.50	0.169	0.177
C	---	1.20	---	0.047
D	0.05	0.15	0.002	0.006
F	0.50	0.75	0.020	0.030
G	0.65 BSC		0.026 BSC	
H	0.18	0.28	0.007	0.011
J	0.09	0.20	0.004	0.008
J1	0.09	0.16	0.004	0.006
K	0.19	0.30	0.007	0.012
K1	0.19	0.25	0.007	0.010
L	6.40 BSC		0.252 BSC	
M	0°	8°	0°	8°

RECOMMENDED
SOLDERING FOOTPRINT*



GENERIC
MARKING DIAGRAM*



- XXXX = Specific Device Code
- A = Assembly Location
- L = Wafer Lot
- Y = Year
- W = Work Week
- G or ■ = Pb-Free Package

*This information is generic. Please refer to device data sheet for actual part marking. Pb-Free indicator, "G" or microdot "■", may or may not be present. Some products may not follow the Generic Marking.

*For additional information on our Pb-Free strategy and soldering details, please download the onsemi Soldering and Mounting Techniques Reference Manual, SOLDERRM/D.

DOCUMENT NUMBER:	98ASH70247A	Electronic versions are uncontrolled except when accessed directly from the Document Repository. Printed versions are uncontrolled except when stamped "CONTROLLED COPY" in red.
DESCRIPTION:	TSSOP-16	PAGE 1 OF 1

onsemi and onsemi are trademarks of Semiconductor Components Industries, LLC dba onsemi or its subsidiaries in the United States and/or other countries. onsemi reserves the right to make changes without further notice to any products herein. onsemi makes no warranty, representation or guarantee regarding the suitability of its products for any particular purpose, nor does onsemi assume any liability arising out of the application or use of any product or circuit, and specifically disclaims any and all liability, including without limitation special, consequential or incidental damages. onsemi does not convey any license under its patent rights nor the rights of others.

onsemi, **Onsemi**, and other names, marks, and brands are registered and/or common law trademarks of Semiconductor Components Industries, LLC dba "**onsemi**" or its affiliates and/or subsidiaries in the United States and/or other countries. **onsemi** owns the rights to a number of patents, trademarks, copyrights, trade secrets, and other intellectual property. A listing of **onsemi**'s product/patent coverage may be accessed at www.onsemi.com/site/pdf/Patent-Marking.pdf. **onsemi** reserves the right to make changes at any time to any products or information herein, without notice. The information herein is provided "as-is" and **onsemi** makes no warranty, representation or guarantee regarding the accuracy of the information, product features, availability, functionality, or suitability of its products for any particular purpose, nor does **onsemi** assume any liability arising out of the application or use of any product or circuit, and specifically disclaims any and all liability, including without limitation special, consequential or incidental damages. Buyer is responsible for its products and applications using **onsemi** products, including compliance with all laws, regulations and safety requirements or standards, regardless of any support or applications information provided by **onsemi**. "Typical" parameters which may be provided in **onsemi** data sheets and/or specifications can and do vary in different applications and actual performance may vary over time. All operating parameters, including "Typicals" must be validated for each customer application by customer's technical experts. **onsemi** does not convey any license under any of its intellectual property rights nor the rights of others. **onsemi** products are not designed, intended, or authorized for use as a critical component in life support systems or any FDA Class 3 medical devices or medical devices with a same or similar classification in a foreign jurisdiction or any devices intended for implantation in the human body. Should Buyer purchase or use **onsemi** products for any such unintended or unauthorized application, Buyer shall indemnify and hold **onsemi** and its officers, employees, subsidiaries, affiliates, and distributors harmless against all claims, costs, damages, and expenses, and reasonable attorney fees arising out of, directly or indirectly, any claim of personal injury or death associated with such unintended or unauthorized use, even if such claim alleges that **onsemi** was negligent regarding the design or manufacture of the part. **onsemi** is an Equal Opportunity/Affirmative Action Employer. This literature is subject to all applicable copyright laws and is not for resale in any manner.

ADDITIONAL INFORMATION

TECHNICAL PUBLICATIONS:

Technical Library: www.onsemi.com/design/resources/technical-documentation
onsemi Website: www.onsemi.com

ONLINE SUPPORT: www.onsemi.com/support

For additional information, please contact your local Sales Representative at www.onsemi.com/support/sales

Mouser Electronics

Authorized Distributor

Click to View Pricing, Inventory, Delivery & Lifecycle Information:

[onsemi:](#)

[MC74HC4851ANG](#) [MC74HC4851AD](#) [MC74HC4851ADR2](#) [MC74HC4851ADTR2](#) [MC74HC4851ADWR2](#)
[MC74HC4851ADWR2G](#) [MC74HC4851AN](#) [MC74HC4852AD](#) [MC74HC4852ADR2](#) [MC74HC4852ADTR2](#)
[MC74HC4852AN](#) [MC74HC4852ANG](#) [NLVHC4851ADTR2G](#) [NLV74HC4852ADR2G](#) [NLVHC4851ADR2G](#)
[NLVHC4852ADTR2G](#) [NLV74HC4851ADR2G](#) [NLV74HC4851AMNTWG](#) [MC74HCT4851ADR2G-Q](#)