

# PNP Epitaxial Silicon Transistor

## KSP92

### Description

High Voltage Transistor

### Features

- These Devices are Pb-Free, Halogen Free/BFR Free, Beryllium Free and are RoHS Compliant

### ABSOLUTE MAXIMUM RATINGS (T<sub>a</sub> = 25°C, unless otherwise noted)

Symbol	Parameter	Value	Unit
V <sub>CBO</sub>	Collector-Base Voltage	-300	V
V <sub>CEO</sub>	Collector-Emitter Voltage	-300	V
V <sub>EBO</sub>	Emitter-Base Voltage	-5	V
I <sub>C</sub>	Collector Current	-500	mA
P <sub>C</sub>	Collector Power Dissipation (T <sub>a</sub> = 25°C)	625	mW
	Derate above 25°C	5	mW/°C
P <sub>C</sub>	Collector Power Dissipation (T <sub>C</sub> = 25°C)	1.5	W
	Derate above 25°C	12	mW/°C
T <sub>J</sub>	Junction Temperature	150	°C
T <sub>STG</sub>	Storage Temperature	-55-150	°C

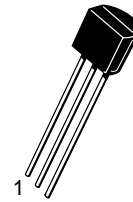
Stresses exceeding those listed in the Maximum Ratings table may damage the device. If any of these limits are exceeded, device functionality should not be assumed, damage may occur and reliability may be affected.

### ELECTRICAL CHARACTERISTICS (T<sub>a</sub> = 25°C unless otherwise noted)

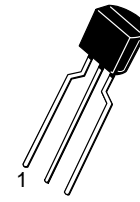
Symbol	Parameter	Test Condition	Min	Max	Unit
BV <sub>CBO</sub>	Collector-Base Breakdown Voltage	I <sub>C</sub> = -100 μA, I <sub>E</sub> = 0	-300	-	V
BV <sub>CEO</sub>	* Collector-Emitter Breakdown Voltage	I <sub>C</sub> = -1 mA, I <sub>B</sub> = 0	-300	-	V
BV <sub>EBO</sub>	Emitter-Base Breakdown Voltage	I <sub>E</sub> = -100 μA, I <sub>C</sub> = 0	-5	-	V
I <sub>CBO</sub>	Collector Cur-off Current	V <sub>CB</sub> = -200 V, I <sub>E</sub> = 0	-	-0.25	μA
I <sub>EBO</sub>	Emitter Cut-off Current	V <sub>EB</sub> = -3 V, I <sub>C</sub> = 0	-	-0.10	μA
h <sub>FE</sub>	* DC Current Gain	V <sub>CE</sub> = -10 V, I <sub>C</sub> = -1 mA V <sub>CE</sub> = -10 V, I <sub>C</sub> = -10 mA V <sub>CE</sub> = -10 V, I <sub>C</sub> = -30 mA	25 40 25	- - -	
V <sub>CE</sub> (sat)	*Collector-Emitter Saturation Voltage	I <sub>C</sub> = -20 mA, I <sub>B</sub> = -2 mA	-	-0.50	V
V <sub>BE</sub> (sat)	* Base-Emitter Saturation Voltage	I <sub>C</sub> = -20 mA, I <sub>B</sub> = -2 mA	-	-0.90	V
f <sub>T</sub>	Current Gain Bandwidth Product	V <sub>CE</sub> = -20 V, I <sub>C</sub> = -10 mA, f = 100 MHz	50	-	MHz
C <sub>ob</sub>	Output Capacitance	V <sub>CB</sub> = -20 V, I <sub>E</sub> = 0, f = 1 MHz	-	6	pF

Product parametric performance is indicated in the Electrical Characteristics for the listed test conditions, unless otherwise noted. Product performance may not be indicated by the Electrical Characteristics if operated under different conditions.

\*Pulse Test: PW ≤ 300 μs, Duty Cycle ≤ 2%.



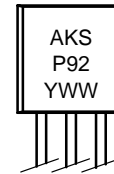
TO-92 3  
4.825x4.76  
CASE 135AN



TO-92 3  
4.83x4.76  
LEADFORMED  
CASE 135AR

1. Emitter
2. Base
3. Collector

### MARKING DIAGRAM



KSP92 = Specific Device Code  
A = Assembly Site  
WW = Work Week Number  
Y = Year of Production

### ORDERING INFORMATION

Device	Package	Packing Method
KSP92BU	TO-92 3, CASE 135AN	10000 Units / Bulk Bag
KSP92TA	TO-92 3, CASE 135AR	2000 Units / Fan-Fold

TYPICAL PERFORMANCE CHARACTERISTICS

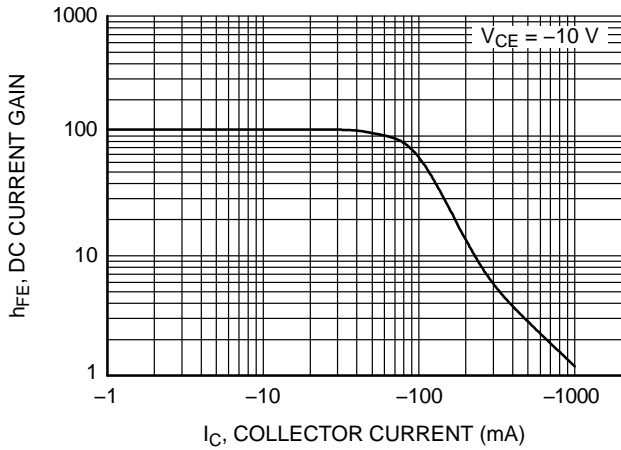


Figure 1. DC Current Gain

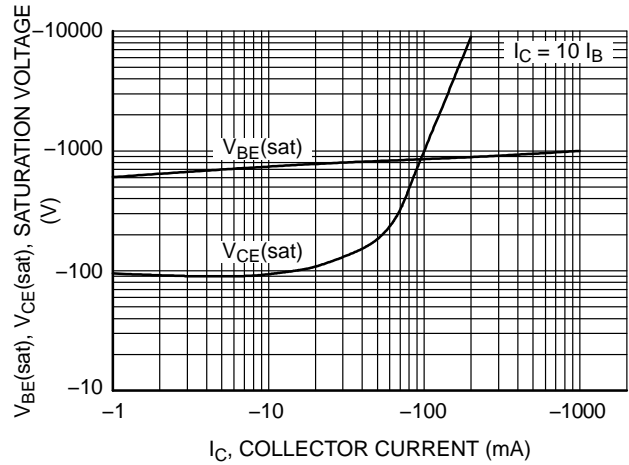


Figure 2. Saturation Voltage

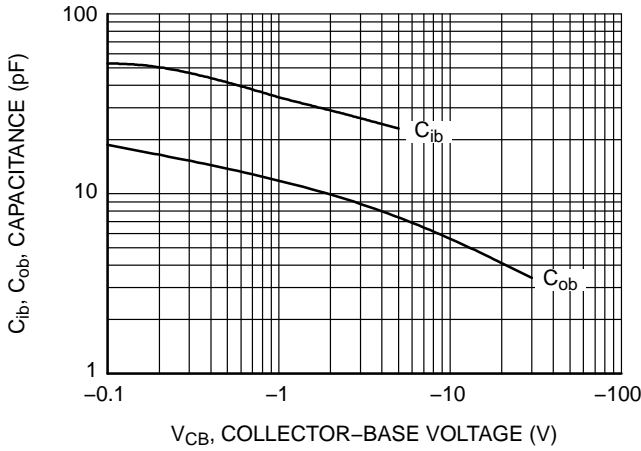


Figure 3. Capacitance

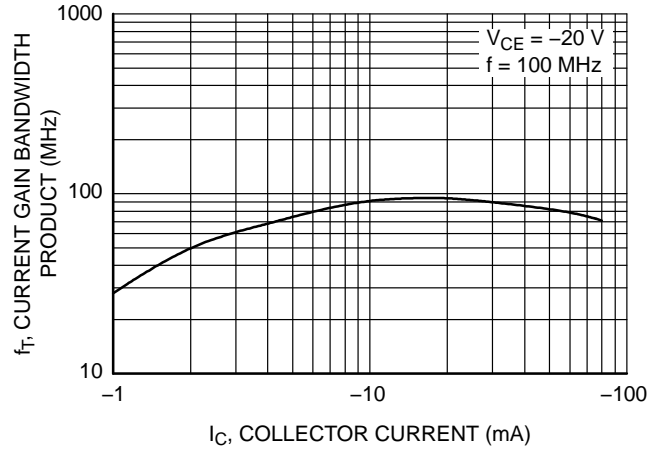


Figure 4. Current Gain Bandwidth Product

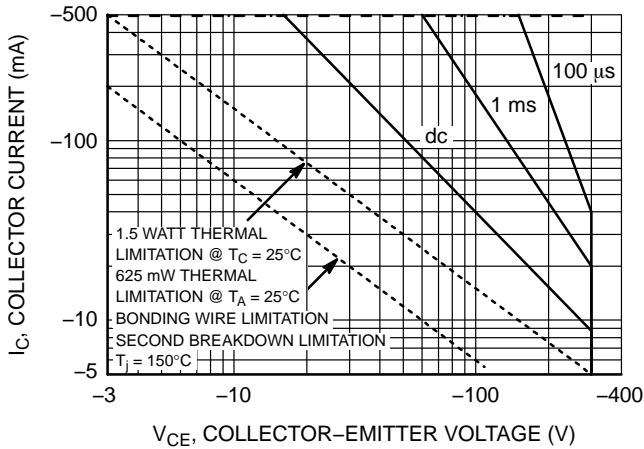
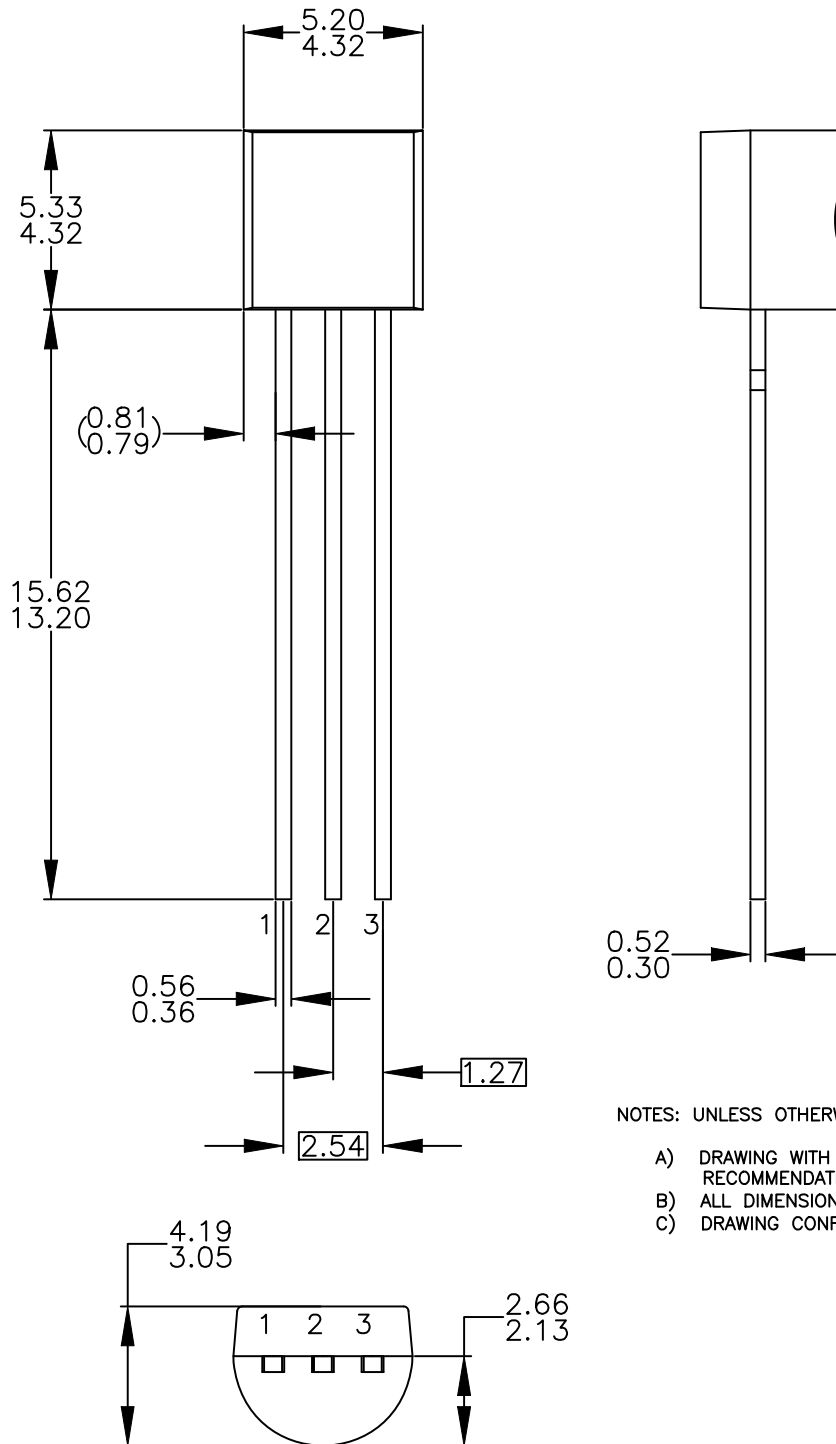


Figure 5. Active-Region Safe Operating Area

TO-92 3 4.825x4.76  
CASE 135AN  
ISSUE O

DATE 31 JUL 2016



NOTES: UNLESS OTHERWISE SPECIFIED

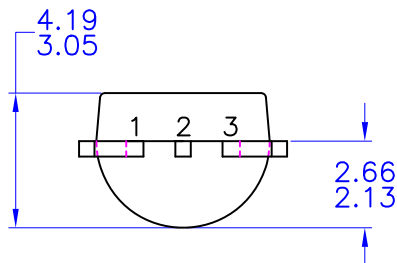
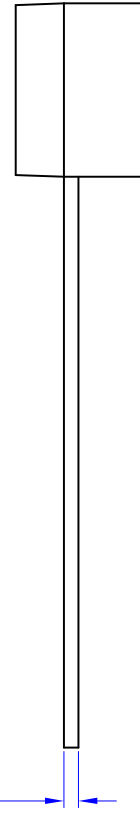
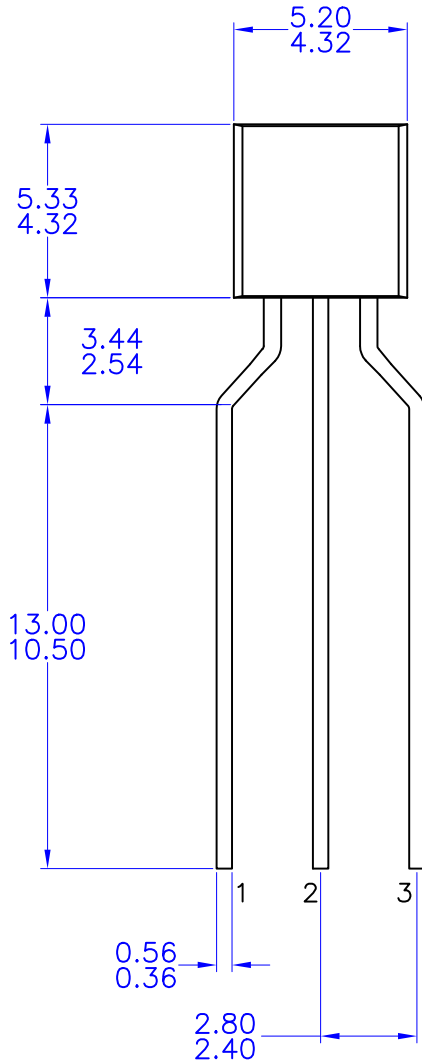
- A) DRAWING WITH REFERENCE TO JEDEC TO-92 RECOMMENDATIONS.
- B) ALL DIMENSIONS ARE IN MILLIMETERS.
- C) DRAWING CONFORMS TO ASME Y14.5M-2009.

<b>DOCUMENT NUMBER:</b>	<b>98AON13880G</b>	Electronic versions are uncontrolled except when accessed directly from the Document Repository. Printed versions are uncontrolled except when stamped "CONTROLLED COPY" in red.
<b>DESCRIPTION:</b>	<b>TO-92 3 4.825X4.76</b>	<b>PAGE 1 OF 1</b>

onsemi and ONSEMI are trademarks of Semiconductor Components Industries, LLC dba onsemi or its subsidiaries in the United States and/or other countries. onsemi reserves the right to make changes without further notice to any products herein. onsemi makes no warranty, representation or guarantee regarding the suitability of its products for any particular purpose, nor does onsemi assume any liability arising out of the application or use of any product or circuit, and specifically disclaims any and all liability, including without limitation special, consequential or incidental damages. onsemi does not convey any license under its patent rights nor the rights of others.

**TO-92 3 4.83x4.76 LEADFORMED**  
CASE 135AR  
ISSUE O

DATE 30 SEP 2016



NOTES: UNLESS OTHERWISE SPECIFIED

- A) DRAWING WITH REFERENCE TO JEDEC TO-92 RECOMMENDATIONS.
- B) ALL DIMENSIONS ARE IN MILLIMETERS.
- C) DRAWING CONFORMS TO ASME Y14.5M-1994

<b>DOCUMENT NUMBER:</b>	<b>98AON13879G</b>	Electronic versions are uncontrolled except when accessed directly from the Document Repository. Printed versions are uncontrolled except when stamped "CONTROLLED COPY" in red.
<b>DESCRIPTION:</b>	<b>TO-92 3 4.83X4.76 LEADFORMED</b>	<b>PAGE 1 OF 1</b>

onsemi and ONSEMI are trademarks of Semiconductor Components Industries, LLC dba onsemi or its subsidiaries in the United States and/or other countries. onsemi reserves the right to make changes without further notice to any products herein. onsemi makes no warranty, representation or guarantee regarding the suitability of its products for any particular purpose, nor does onsemi assume any liability arising out of the application or use of any product or circuit, and specifically disclaims any and all liability, including without limitation special, consequential or incidental damages. onsemi does not convey any license under its patent rights nor the rights of others.

**onsemi**, **Onsemi**, and other names, marks, and brands are registered and/or common law trademarks of Semiconductor Components Industries, LLC dba "**onsemi**" or its affiliates and/or subsidiaries in the United States and/or other countries. **onsemi** owns the rights to a number of patents, trademarks, copyrights, trade secrets, and other intellectual property. A listing of **onsemi**'s product/patent coverage may be accessed at [www.onsemi.com/site/pdf/Patent-Marking.pdf](http://www.onsemi.com/site/pdf/Patent-Marking.pdf). **onsemi** reserves the right to make changes at any time to any products or information herein, without notice. The information herein is provided "as-is" and **onsemi** makes no warranty, representation or guarantee regarding the accuracy of the information, product features, availability, functionality, or suitability of its products for any particular purpose, nor does **onsemi** assume any liability arising out of the application or use of any product or circuit, and specifically disclaims any and all liability, including without limitation special, consequential or incidental damages. Buyer is responsible for its products and applications using **onsemi** products, including compliance with all laws, regulations and safety requirements or standards, regardless of any support or applications information provided by **onsemi**. "Typical" parameters which may be provided in **onsemi** data sheets and/or specifications can and do vary in different applications and actual performance may vary over time. All operating parameters, including "Typicals" must be validated for each customer application by customer's technical experts. **onsemi** does not convey any license under any of its intellectual property rights nor the rights of others. **onsemi** products are not designed, intended, or authorized for use as a critical component in life support systems or any FDA Class 3 medical devices or medical devices with a same or similar classification in a foreign jurisdiction or any devices intended for implantation in the human body. Should Buyer purchase or use **onsemi** products for any such unintended or unauthorized application, Buyer shall indemnify and hold **onsemi** and its officers, employees, subsidiaries, affiliates, and distributors harmless against all claims, costs, damages, and expenses, and reasonable attorney fees arising out of, directly or indirectly, any claim of personal injury or death associated with such unintended or unauthorized use, even if such claim alleges that **onsemi** was negligent regarding the design or manufacture of the part. **onsemi** is an Equal Opportunity/Affirmative Action Employer. This literature is subject to all applicable copyright laws and is not for resale in any manner.

## ADDITIONAL INFORMATION

### TECHNICAL PUBLICATIONS:

Technical Library: [www.onsemi.com/design/resources/technical-documentation](http://www.onsemi.com/design/resources/technical-documentation)  
onsemi Website: [www.onsemi.com](http://www.onsemi.com)

### ONLINE SUPPORT: [www.onsemi.com/support](http://www.onsemi.com/support)

For additional information, please contact your local Sales Representative at [www.onsemi.com/support/sales](http://www.onsemi.com/support/sales)

# Mouser Electronics

Authorized Distributor

Click to View Pricing, Inventory, Delivery & Lifecycle Information:

[onsemi:](#)

[KSP92ATA](#)