

Manual Reader for Magnetic and IC Cards

- Long life and high reliability with ceramic block magnetic head and low friction IC contact.
- Anti-fraud and vandalism with mechanical shutter, lock function, and security features
- Higher readability of magnetic card by wider grasp area and advanced software decoding algorithm
- EMV4.0 approved.
- Selectable bezel (round or flat) with tricolor status LED.
- Higher Security on host transmission data encrypted with DES/RSA.
- RS232 or USB Interface version available.



Ordering Information

Track 1	Track 2	Track 3	JIS II	IC Card	Memory Card	Shutter	Interface	Front Insertion Guide	SAM	Part Number
R	R	R	-	Yes	Yes	Mechanical	RS232	Round Bezel	1	V4KF-01JS-001
R	R	R	-	Yes	Yes	Mechanical	RS232	Flat Bezel	1	V4KF-01JF-001
R	R	R	-	Yes	Yes	Mechanical	USB	Round Bezel	1	V4KU-01JS-001
R	R	R	-	Yes	Yes	Mechanical	USB	Flat Bezel	1	V4KU-01JF-001

Specification

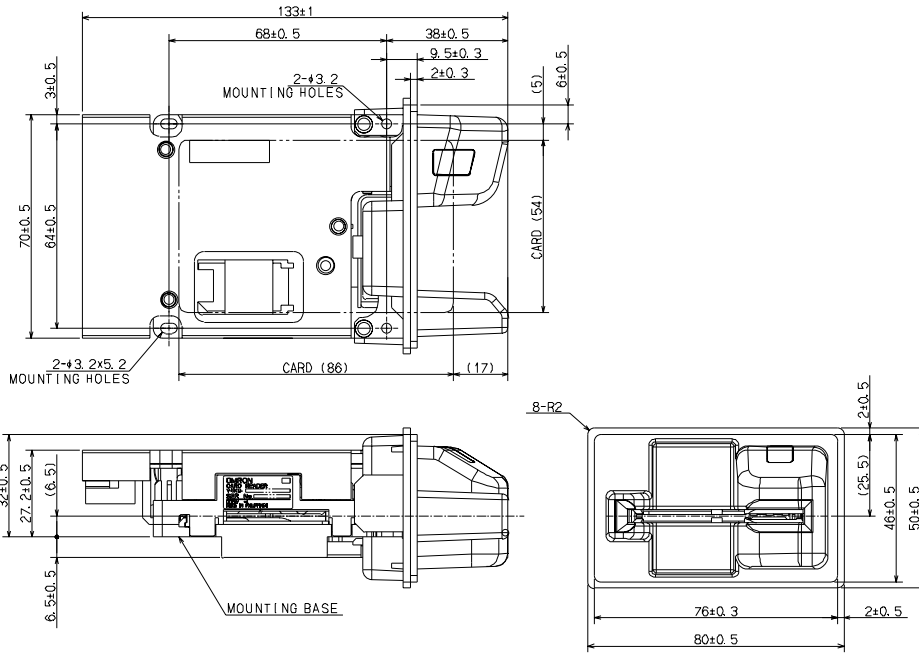
Part Number		V4KF	V4KU
Recommended card type	Magnetic and ICC	ISO 7810, 7811/1, 2, 6, EMV-compatible, Vcc 3 or 5V, SLE4418/28/32/42	
Card feeding speed		100 – 1000 mm/sec.,	
Card feeding direction		Bi-Directional	
Service life of magnetic head		1,000,000 Passes or Five Years	
Service life of ICC contacts		300,000 Passes or Five Years	
LED		Tri-Colour LED (Red, Green and Orange).	
Operating power supply		+12V DC Maximum 1.5 A	+24V DC Maximum 1.0 A
SAM		1 SAM (Secure Application Module) standard with up to five optional	
Power supply connector *1		HIROSE HIF3BD-10PA-254DS02 / 10 Pin / Pitch of 2.54mm	Molex 5046-04A / 4 Pin / Pitch of 2.54mm
Interface *1		RS232	USB 2.0 HID Class at Full Speed of 12Mbps
Mounting location		Indoors - Away from direct sunlight or wet, humid environment	
Ambient temperature	Operation	5° to 50° C	
	Storage	- 25° to 70° C	
Ambient humidity	Operation	5% to 85% RH	
	Storage	5% to 90% RH	
Vibration		10 to 150 Hz, single vibration width of 0.15 mm	
Shock		150 m/sec ² , three times in six directions	
Dimensions	Round Bezel Type	80 W x 50 H x 147 D mm	80 W x 50 H x 133 D mm
	Flat Bezel Type	101.6 W x 76.2 H x 147 D mm	101.6 W x 76.2 H x 133 D mm
Weight		Less than 250g	

*1 Type of V4KF has only one connector for Power and Interface signal.

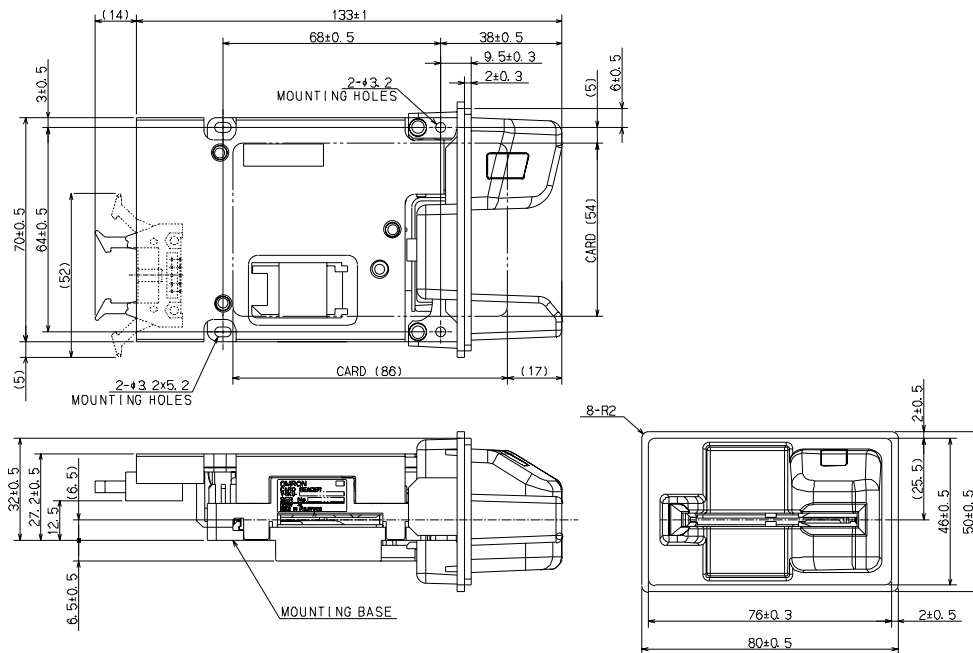
■ Round Bezel Type : V4KU-01JS-001 / V4KF-01JS-001

Unit : mm

V4KU-01JS-001



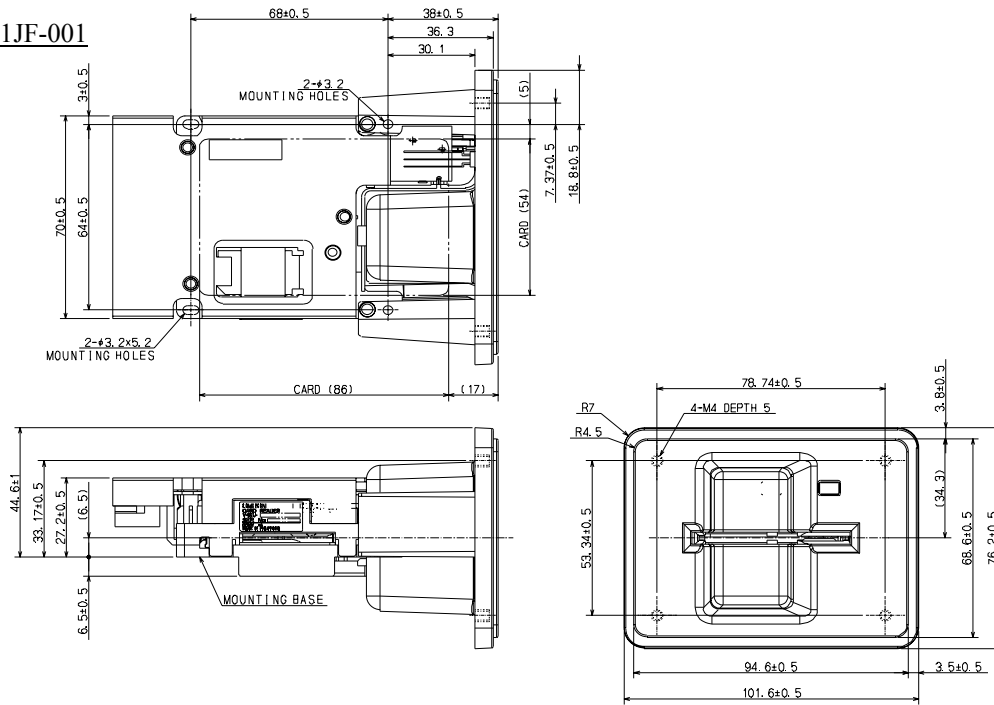
V4KF-01JS-001



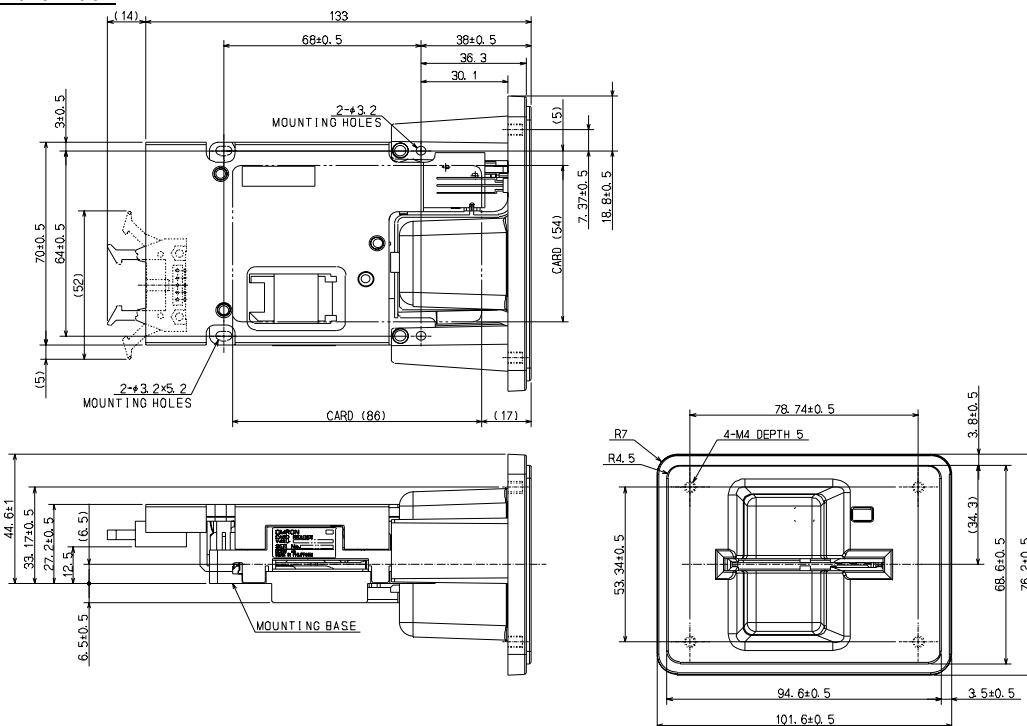
■ Flat Bezel Type : V4KU-01JF-001 / V4KF-01JF-001

Unit : mm

V4KU-01JF-001



V4KF-01JF-001



Advanced Modules Business Company
International Module Sales
Sales & Marketing Division

© OMRON Corporation 2004

3-4-10, Toranomon, Minato-ku, Tokyo, 105-0001 JAPAN
TEL : +81-3-3436-7074 FAX : +81-3-3436-7054

URL: <http://www.omron.com/card/cardreader>

Contact our nearest representative at

Mouser Electronics

Authorized Distributor

Click to View Pricing, Inventory, Delivery & Lifecycle Information:

Omron:

[V4KF-01JF-001](#) [V4KU-01JS-001](#) [V4KF-01JS-002](#)