

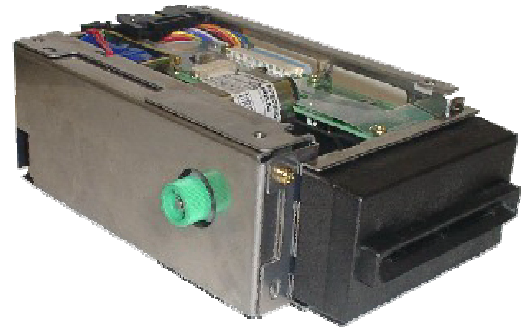
OMRON

Motorised Card Reader

V2BF

Motorised Card Reader for Magnetic and IC Cards

- Hybrid Card Reader.
- Rear Card capture.
- Mechanical Shutter.
- ISO 7810 / 7811 / 7816 Data Format.
- Asynchronous and Synchronous Cards.
- EMV 4.0 Level One Approved.
- RS232C Interface.



Ordering Information

Track 1	Track 2	Track 3	JIS II	IC Card	Shutter	Interface	Part Number
R	R	R	-	Yes	Mechanical	RS232C	V2BF-01JS

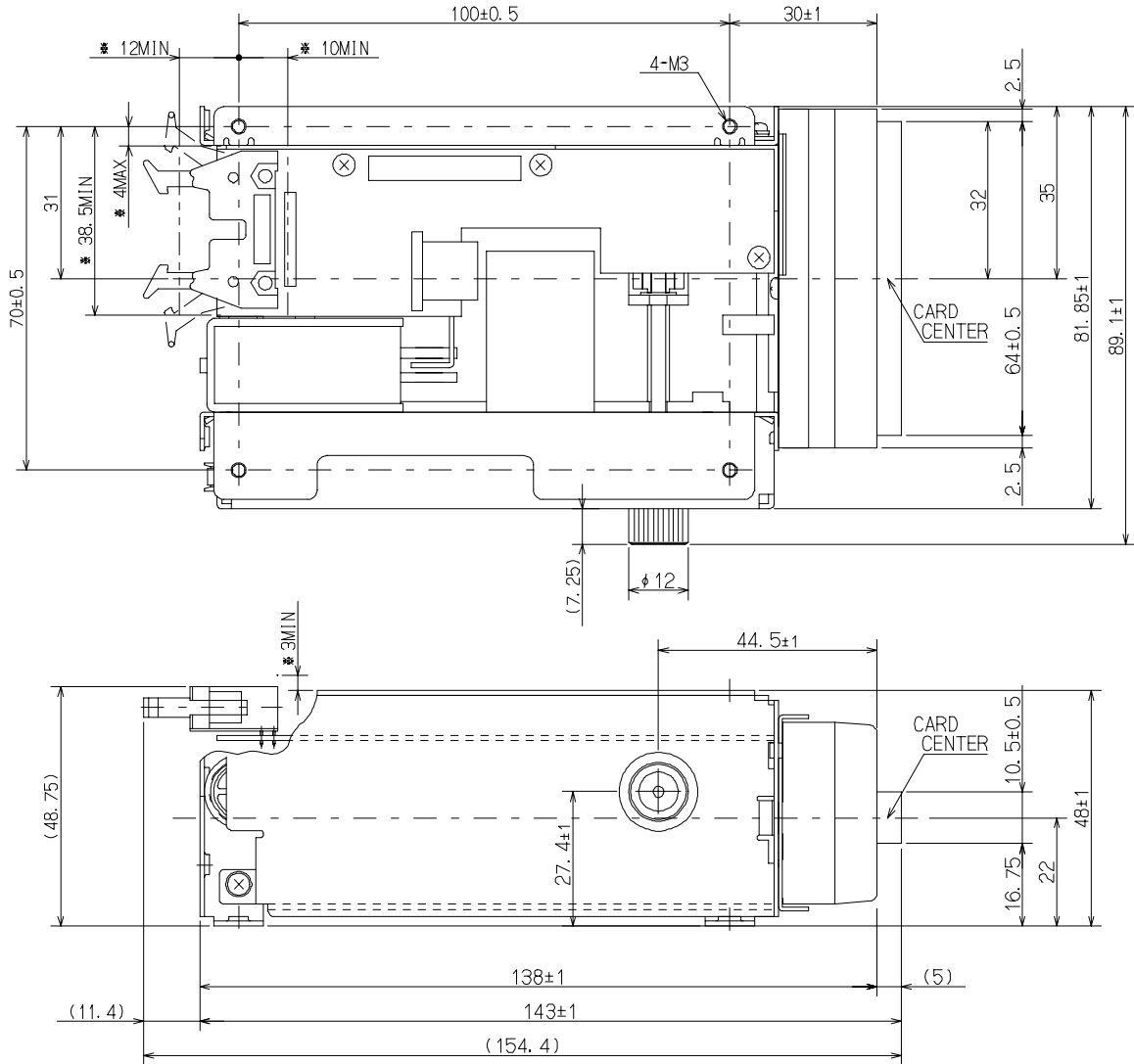
Typical Applications

- Information Kiosk.
- Car Parking Payment Machine.
- ID Card Reader.

Specifications

Part Number		V2BF
Recommended card type	Magnetic card	ISO 7810, 7811/1-6
Card feedingspeed		250 mm/s ²
Service life of magnetic head		1,200,000 passes or five years
Operating power supply		+12V DC Maximum 2.0 A
Mounting location		Indoors—away from direct sunlight or wet, humid environment
Ambient temperature	Operation	- 5° to 50° C
	Storage	- 20° to 70° C
Ambient humidity	Operation	5% to 85% RH
	Storage	5% to 90% RH
Vibration		10 to 150 Hz, single vibration width of 0.15 mm
Shock		150 m/sec ² , three times in six directions
Dimensions	With cover	80 W x 48 H x 143 D mm +/- 1mm
Weight		Approx. 400g

Engineering Data



Omron Electronic Components Europe B.V.,
 Card Reader and RFID Sales Division
 Wegalaan 57, 2132 JD HOOFFDORP, The Netherlands
 Tel: +31 23 5681200
 Fax: +31 23 5681212

www.cardreaders.info

© Omron corporation 2002

- Colours of actual product may differ from catalogue colours.
- All specifications may be subject to change without notice.

Mouser Electronics

Authorized Distributor

Click to View Pricing, Inventory, Delivery & Lifecycle Information:

[Omron:](#)

[V2BF-01JS](#)