

G9EH-1

DC Power Relay (300A type)

Capable of Interrupting High-voltage, High-current Loads

- A compact relay (L111 x W60x H76.7mm) capable of switching DC400V, 300A. (Capable of interrupting max. DC300V, 2500A)
- The switching section and driving section are gas-injected and hermetically sealed, allowing these compact relays to interrupt high-current. The sealed construction also achieves no arc space, space saving, and helps to ensure safe applications. In addition, the contacts have a high contact reliability that is unaffected by ambient atmosphere.
- Downsizing of parts and optimum design allow no restrictions on the mounting direction.



■ Type standard

G9EH-□-□-□-□
① ② ③ ④

	Classification	Symbol	Symbol Meaning of the symbol
①	Number of contact poles	1	1 pole
②	Contact structure	Blank	1a contact
③	Coil terminal form	Blank	Connector terminal
④	Automotive use	Blank	Available for automotive use

■ Classification

Classification	Terminal form		Contact structure	Rated coil voltage	Type name
	Coil terminals	Contact terminals			
Switching / current conduction type	Connector terminal	Screw terminals	1a	DC12V DC24V	G9EH-1

Note: Come with two M8 nuts for main terminals (contacts).

■ Ratings

● Operation coil

Rated voltage (V)	Rated current (mA)	Coil resistance (Ω)	Operating voltage (V)	Release voltage (V)	Maximum voltage (V)	Power consumption (W)
DC 12	583	20.6	75% or less of rated voltage	8% or more of rated voltage	130% of rated voltage (at 23°C within 10min.)	Approx. 7
DC 24	292	82.3				

Note:1. Values of the rated current and the coil resistance are at coil temperature of +23°C, and have a tolerance of ±10%.

2. The figures for the operating characteristics are at a coil temperature of 23°C.

3. Value of the maximum voltage is the maximum voltage that can be applied to the relay coil.

● Switching area

Item	Resistance load
	G9EH-1
Rated load	DC400V 300A
Rated current	300A
Maximum switching voltage	400V
Maximum switching current	300A

■ Performance

Item		G9EH-1
Contact resistance *1		30 mΩ or less (Typ. 0.2 mΩ)
Contact voltage drop		0.1V or less (at 300A)
Operating time		50 ms or less
Release time		30 ms or less
Insulation resistance*2	Between coil and contacts	1,000 MΩ or more
	Between homopolar contacts	1,000 MΩ or more
Withstand voltage	Between coil and contacts	AC2,500V for 1min.
	Between homopolar contacts	AC2,500V for 1min.
Vibration tolerance	Durability	10 to 55 to 10 Hz Single amplitude 0.75mm (Acceleration: 2.94 to 88.9m/s ²)
	Malfunction	10 to 55 to 10 Hz Single amplitude 0.75mm (Acceleration: 2.94 to 88.9m/s ²)
Shock resistance	Durability	490 m/s ²
	Malfunction	200 m/s ²
Mechanical endurance *3		200,000 times or more
Electrical endurance (Resistance load) *4		DC400V 200A 3,000 times or more
		DC400V 300A 1,000 times or more
Short time carry current		450A (for 10 min)
Maximum interruption current		DC400V 2,500A (1 time)
Overload interruption		DC400V 700A (40 times or more)
Reverse polarity interruption		DC200V -200A (1,000 times or more)
Minimum load current		1A
Ambient temperature		-40 to +85°C (with no icing or condensation)
Ambient humidity		5% to 85%RH
Weight (including accessories)		Approx. 850g

Note: All values above are in early time under an ambient temperature of +23°C unless stated.

*1. Measurement condition: By voltage drop method at DC5V 1A.

*2. Measurement condition: By insulation resistance at DC500V.

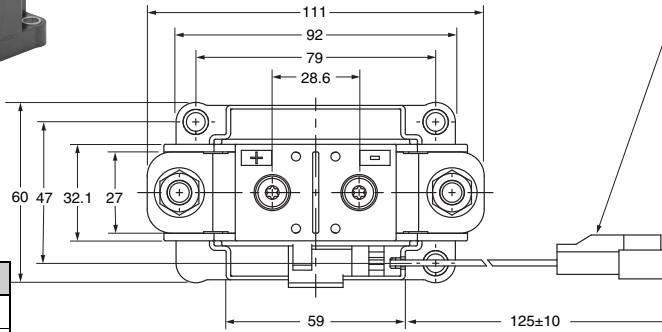
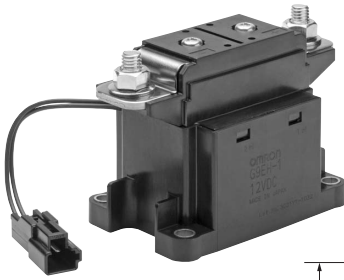
*3. Test condition / Switching frequency: 3,600 times/hour.

*4. Test condition / Switching frequency: 60 times/hour.

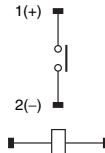
■ Dimensions (Unit: mm)

●Relay with Connector G9EH-1

Connector part number: 7282-1020 (Yazaki)
 Note: Harness side
 Female connector number: 7283-1020

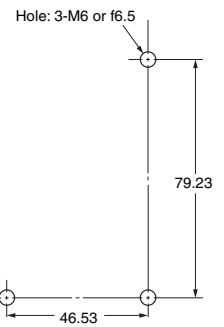


Terminal arrangement / Internal connections (BOTTOM VIEW)

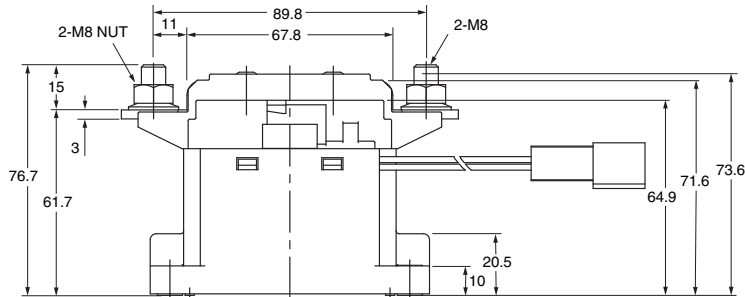
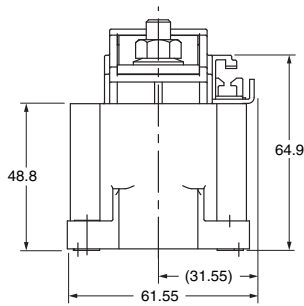


Note: Be sure to connect terminals with the correct polarity. Coils do not have polarity.

Mounting holes (BOTTOM VIEW)



Size (mm)	Tolerance (mm)
to 10	±0.3
10 to 50	±0.5
50 to	±1



Mouser Electronics

Authorized Distributor

Click to View Pricing, Inventory, Delivery & Lifecycle Information:

Omron:

[G9EH-1 DC24](#) [G9EH-1 DC12](#)