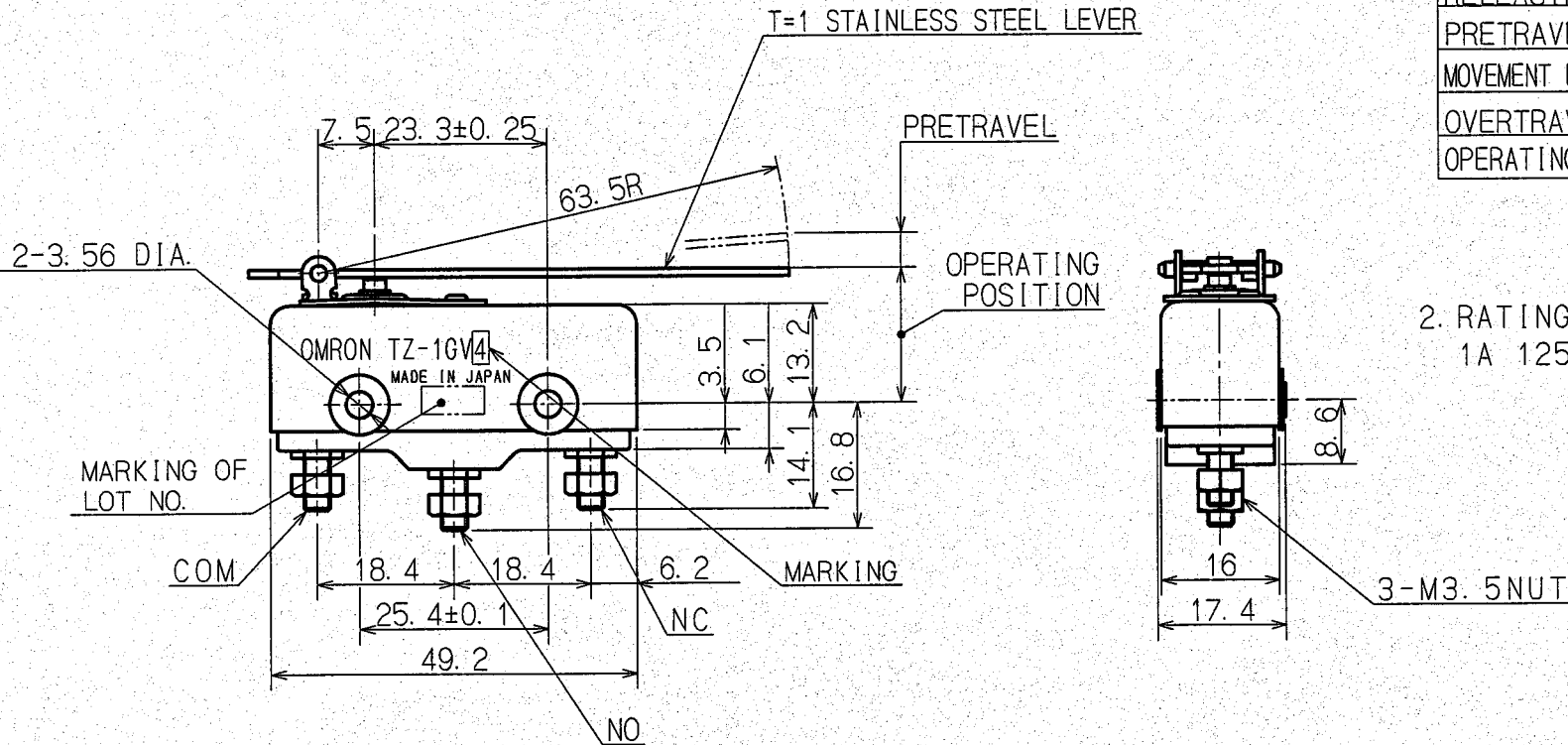


REFERENCE ONLY

1. OPERATING CHARACTERISTICS

| TYPE                  | TZ-1GV4    |
|-----------------------|------------|
| OPERATING FORCE       | 0.49N MAX. |
| RELEASING FORCE       | 0.1N MIN.  |
| PRETRAVEL             | 3.5mm MAX. |
| MOVEMENT DIFFERENTIAL | 1.3mm MAX. |
| OVERTRAVEL            | 4.6mm MIN. |
| OPERATING POSITION    | 18.0±1.4mm |



2. RATING  
1A 125 or 250 VAC

|      |              |             |           |          |                             |              |          |  |
|------|--------------|-------------|-----------|----------|-----------------------------|--------------|----------|--|
|      |              |             |           |          | MATERIAL                    | SCALE        |          | HIGH TEMPERATURE BASIC SWITCH<br>OUTLINE DRAWING |
|      |              |             |           |          | FINISH                      | 1:1          |          |  |
|      |              |             |           |          | TOLERANCES UNLESS SPECIFIED | DESIGNED     | CHECKED  |  |
| A    | Feb. 27. '08 | NEW DRAWING | #M3080142 | Y. Naito | ±0.4                        | Feb. 27. '08 | Y. Naito | Feb. 27. '08                                     |
| SYM. | DATE         | E/C         | CONTENTS  | E/C NO.  | SIGN                        | SHEET        |          | DRWG NO. 7487624-7 A                             |
|      |              |             |           |          |                             |              |          | DESIGNED FOR TZ-1GV4                             |

# Mouser Electronics

Authorized Distributor

Click to View Pricing, Inventory, Delivery & Lifecycle Information:

[Omron:](#)

[TZ-1GV4](#)