

### Compact Sensor Offers Long Sensing Distance, High Noise Immunity

- Photo-IC provides long sensing distance: 15 m for through-beam, 4 m for retroreflective and 1 m for diffuse
- Integrated photo-IC improves noise immunity to interference from inverters and other inductive devices
- New injection molding technology assures IP67 rating to withstand water and dust
- Switch selectable Light-ON/Dark-ON operation
- M8 connector-ready and 2 m pre-wired models
- NPN or PNP output models available



## Ordering Information

### ■ SENSORS

Sensing method	Light source	Appearance	Connection method	Sensing distance	Part number	
					NPN output	PNP output
Through-beam	IR		Pre-wired	15 m	<b>E3Z-T61</b>	<b>E3Z-T81</b>
			Connector		<b>E3Z-T66</b>	<b>E3Z-T86</b>
Polarized retroreflective	RED	(See Note 1.) 	Pre-wired	100 mm to 4 m 100 mm to 3 m (See Note 2.)	<b>E3Z-R61</b>	<b>E3Z-R81</b>
			Connector		<b>E3Z-R66</b>	<b>E3Z-R86</b>
Diffuse reflective	IR		Pre-wired	5 to 100 mm (wide view)	<b>E3Z-D61</b>	<b>E3Z-D81</b>
			Connector		<b>E3Z-D66</b>	<b>E3Z-D86</b>
			Pre-wired	1 m	<b>E3Z-D62</b>	<b>E3Z-D82</b>
			Connector		<b>E3Z-D67</b>	<b>E3Z-D87</b>

Note: 1. The Reflector is sold separately. Select the Reflector model most suited to the application.

2. Sensing distance can be extended to 4 meters when the E39-R1S reflector is used. The sensing distance is 3 meters when the E39-R1 reflector is used.

## ■ ACCESSORIES (ORDER SEPARATELY)

### Slit for Through-beam Models (E3Z-T□□)

Order a slit for each emitter and receiver.

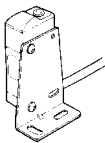
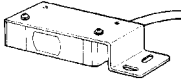
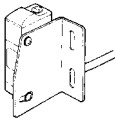
Slit width	Sensing distance (typical)	Minimum sensing object (typical)	Part number
0.5 mm dia.	50 mm	0.5 mm dia.	E39-S65A
1 mm dia.	200 mm	1 mm dia.	E39-S65B
2 mm dia.	800 mm	2 mm dia.	E39-S65C
0.5 × 10 mm	1 m	0.7 mm dia.	E39-S65D
1 × 10 mm	2.2 m	1.2 mm dia.	E39-S65E
2 × 10 mm	5 m	2.4 mm dia.	E39-S65F

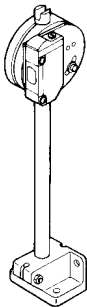
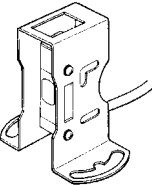
### Reflectors for Retroreflective Models

Name	Sensing distance (typical)	Part number
Reflector	100 mm to 3 m	E39-R1
	100 mm to 4 m	E39-R1S
	100 mm to 5 m	E39-R2
Miniature Reflector	50 mm to 1.5 m	E39-R3
Tape Reflector	150 mm to 700 mm	E39-RS1
	150 mm to 1.1 m	E39-RS2
	150 mm to 1.4 m	E39-RS3

Note: The actual sensing distance may be reduced to approximately 70% of the typical sensing distance when using a Reflector other than the E39-R1 or the E39-R1S.

### Mounting Brackets

Appearance	Part number
	E39-L104
	E39-L43
	E39-L44

Appearance	Part number	Remarks
	E39-L93	Adjustable height and angle for sensors. Mounted to the aluminum frame rails of conveyors and adjustable with ease.
	E39-L98	Vertical protective cover bracket

Note: If a through-beam model is used, order two Mounting Brackets — one for the emitter and one for the receiver.

### M8 Connectors

Appearance	Cable type	Part number
Straight	2 m (6.56 ft)	Four-wire type XS3F-M421-402-A XS3F-M421-405-A XS3F-M422-402-A XS3F-M422-405-A
	5 m (16.40 ft)	
Right angle	2 m (6.56 ft)	
	5 m (16.40 ft)	

# Specifications

Item	Sensing method		Through-beam	Polarized retroreflective	Diffuse reflective	
	NPN output	PNP output	E3Z-T61/T66	E3Z-R61/R66	E3Z-D61/D66	E3Z-D62/D67
			E3Z-T81/T86	E3Z-R81/R86	E3Z-D81/D86	E3Z-D82/D87
Sensing distance	15 m		100 mm (4 m Note 1) (when using E39-R1S)	100 mm (3 m Note 2) (when using E39-R1)	White paper (100 × 100 mm): 100 mm	White paper (300 × 300 mm): 1 m
Standard sensing object	Opaque: 12-mm dia. min.		Opaque: 75-mm dia. min.		---	
Hysteresis	---				20% max. of setting distance	
Directional angle	Both emitter and receiver: 3 to 15°		2 to 10°		---	
Light source (wave length)	Infrared LED (860 nm)		Red LED (680 nm)		Infrared LED (860 nm)	
Power supply voltage	12 to 24 VDC ±10% including 10% (p-p) max. ripple					
Current consumption	Emitter: 15 mA Receiver: 20 mA		30 mA max.			
Control output	100 mA max. at 26.4 VDC, open collector output (residual voltage: 1 V max.) L-ON/D-ON selectable					
Circuit protection	Load short-circuit and reversed power supply protection		Reversed power supply connection, output short-circuit, and mutual interference protection			
Response time	1 ms max.					
Sensitivity adjustment	One-turn adjuster					
Ambient illumination (receiver side)	Incandescent lamp	3,000 lx max.				
	Sunlight	10,000 lx max.				
Ambient temperature	Operating	-25°C to 55°C (-13°F to 131°F)				
	Storage	-40°C to 70°C (-40°F to 158°F) with no icing or condensation				
Ambient humidity	Operating	35% to 85%				
	Storage	35% to 95% with no condensation				
Insulation resistance	20 MΩ min. at 500 VDC					
Dielectric strength	1,000 VAC, 50/60 Hz for 1 min					
Vibration resistance	10 to 55 Hz, 1.5-mm double amplitude or 300 m/s <sup>2</sup> for 2 hours each in X, Y, and Z axes					
Shock resistance	Destruction	500 m/s <sup>2</sup> 3 times each in X, Y, and Z axes				
Enclosure rating	IP67 (IEC60529)					
Approvals	CE					
Connection method	2 m cable or M8 connector					
Indicator	Operation indicator (orange) Stability indicator (green) Emitter has power indicator (orange) only					
Weight (packed state)	Pre-wired cable (2 m)	Approx. 120 g	Approx. 65 g			
	Connector	Approx. 30 g	Approx. 20 g			
Material	Case	PBT (polybutylene terephthalate)				
	Lens	Methacrylate resin				
Accessories	Instruction manual (Order Reflector and Mounting Bracket separately.)					

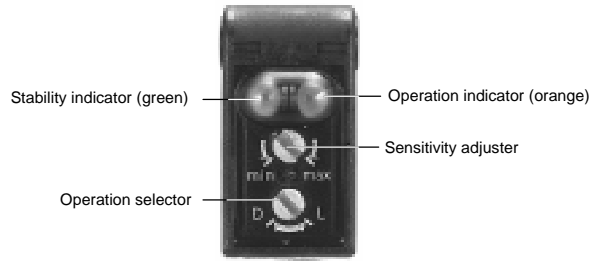
- Note: 1. Sensing distance can be extended up to 4 meters when the E39-R1S reflector is used.  
2. Sensing distance can be extended up to 3 meters when the E39-R1 reflector is used.

# Nomenclature

**Through-beam Models**  
E3Z-T6□ Receiver

**Retroreflective Models**  
E3Z-R6□

**Diffuse-reflective Models**  
E3Z-D6□



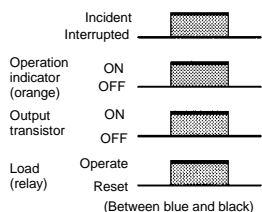
# Operation

## OUTPUT CIRCUITS

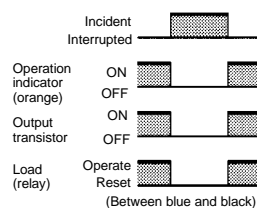
Model	E3Z-T61/-T66/-R61/-R66/-D61/-D66/-D62/-D67	
NPN output	Through-beam receiver Retroreflective model Diffuse reflective model	Through-beam emitter
Model	E3Z-T81/-T86/-R86/-D81/-D86/-D82/-D87	
PNP output	Through-beam receiver Retroreflective model Diffuse reflective model	Through-beam emitter
Connector pin arrangement	<p>Pin 2 is open.</p>	<p>Pins 2, 4 are open.</p>

## TIMING CHARTS

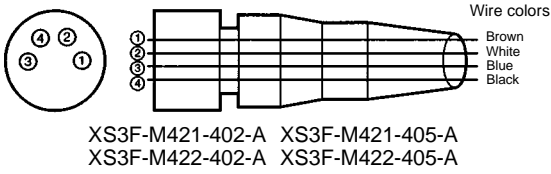
### Light-ON (L-ON) operation



### Dark-ON (D-ON) operation



■ CONNECTOR PIN-OUT



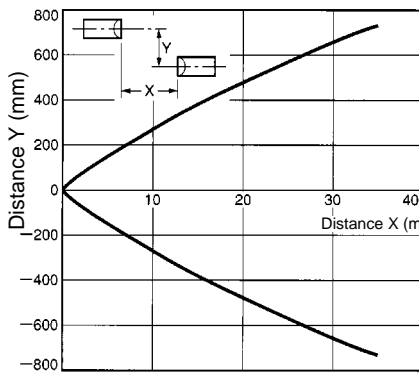
Classification	Wire color	Connector pin No.	Use
DC	Brown	①	Power supply (+V)
	White	②	Pin 2 is not used.
	Blue	③	Power supply (0 V)
	Black	④	Output

Note: The through-beam emitter does not use pins 2 and 4.

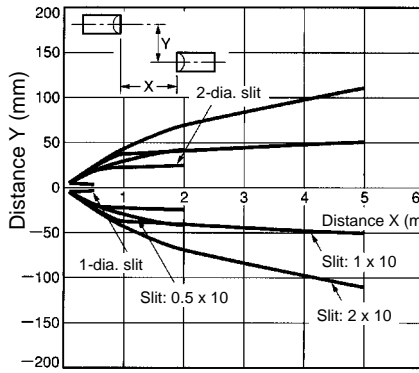
Engineering Data

■ PARALLEL OPERATING RANGE (TYPICAL)

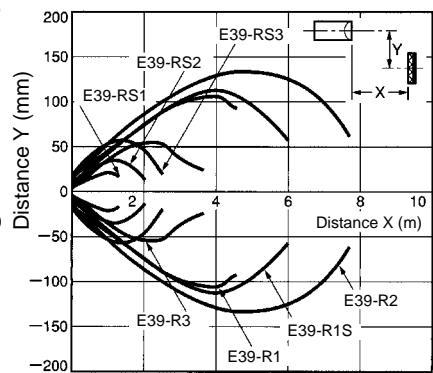
Through-beam Models  
E3Z-T□1 (T□6)



Through-beam Models  
E3Z-T□1 (T□6) and Slit

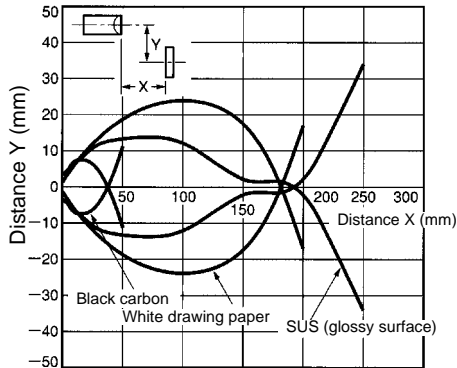


Retroreflective Models  
E3Z-R□1 (R□6) and Reflector

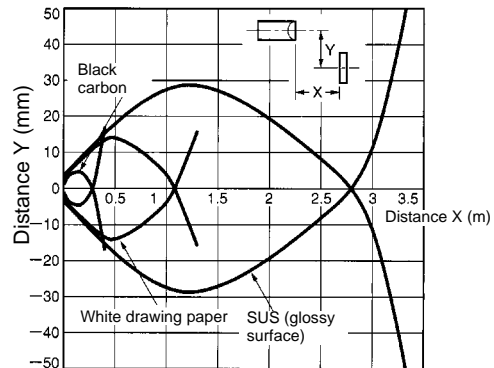


■ OPERATING RANGE (TYPICAL)

Diffuse Reflective Models  
E3Z-D□1 (D□6)

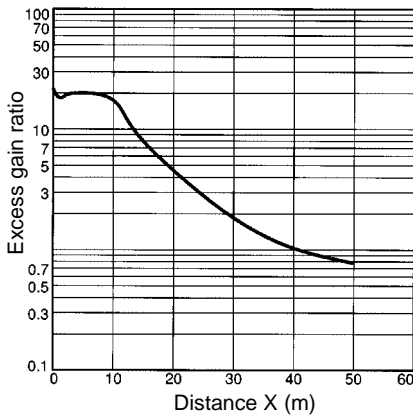


Diffuse Reflective Models  
E3Z-D□2 (D□7)

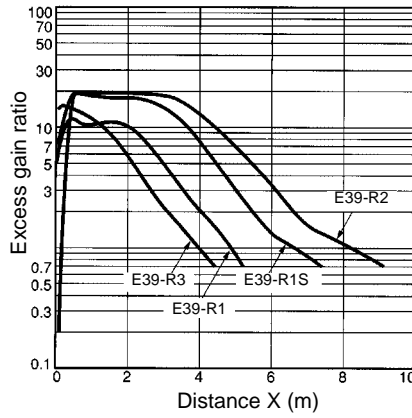


■ EXCESS GAIN RATIO VS. DISTANCE (TYPICAL)

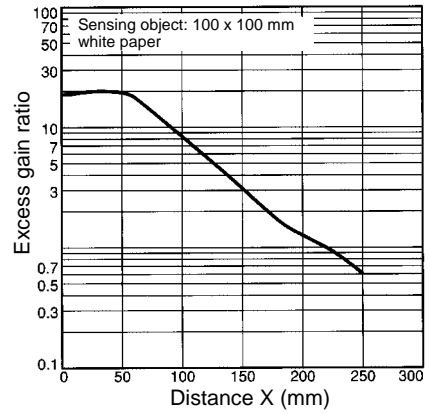
Through-beam Models  
E3Z-T□1 (T□6)



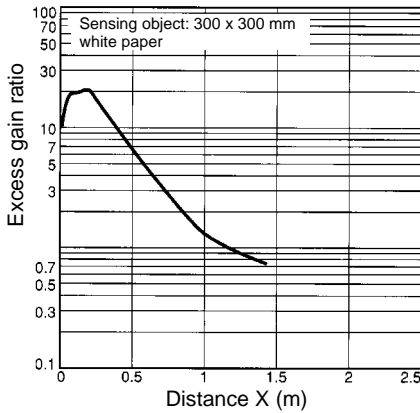
Retroreflective Models  
E3Z-R□1 (R□6) and Reflector



Diffuse Reflective Models  
E3Z-D□1 (D□6)

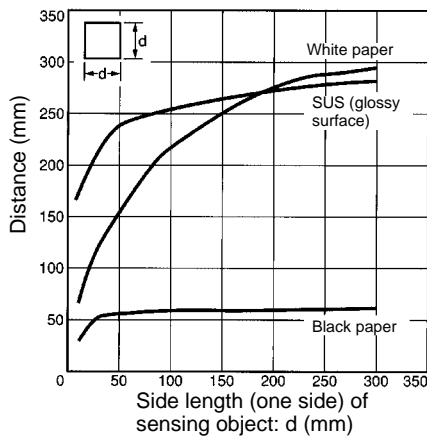


Diffuse Reflective Model  
E3Z-D□2 (D□7)

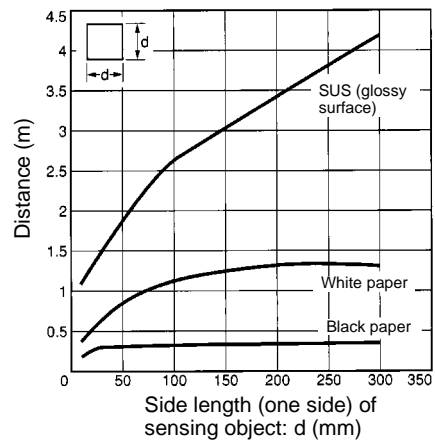


■ SENSING TARGET SIZE VS. SENSING DISTANCE (TYPICAL)

Diffuse Reflective Models  
E3Z-D□1 (D□6)



Diffuse Reflective Models  
E3Z-D□2 (D□7)



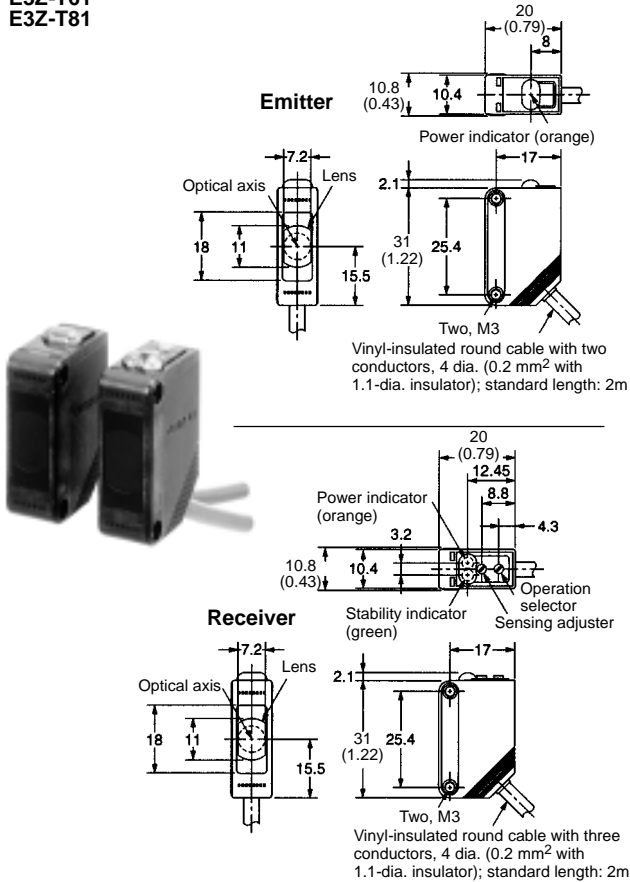
# Dimensions

Unit: mm (inch)

## SENSORS

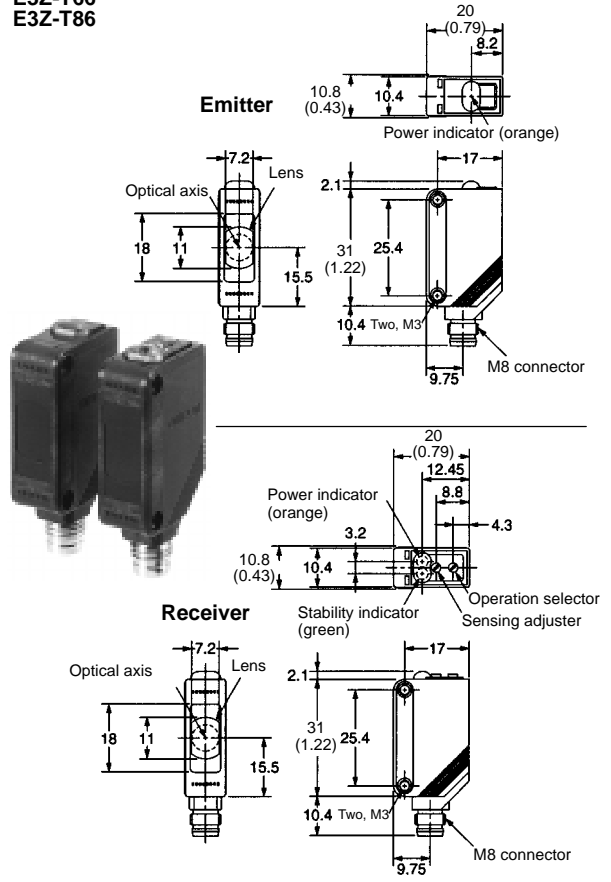
### Through-beam (Pre-wired Models)

E3Z-T61  
E3Z-T81



### Through-beam (Connector Models)

E3Z-T66  
E3Z-T86

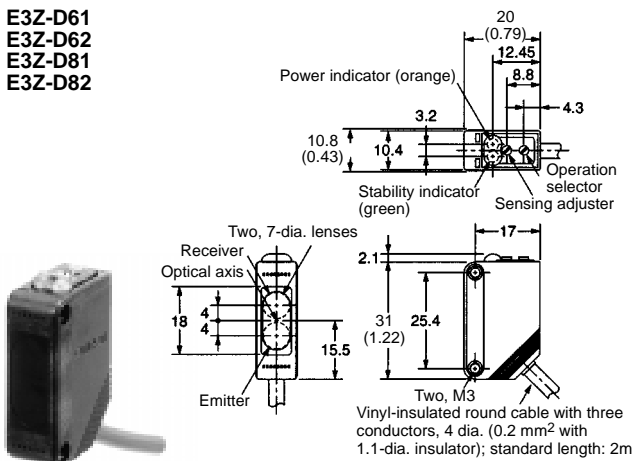


### Retroreflective Models (Pre-wired Models)

E3Z-R61  
E3Z-R81

### Diffuse Reflective Models (Pre-wired Models)

E3Z-D61  
E3Z-D62  
E3Z-D81  
E3Z-D82

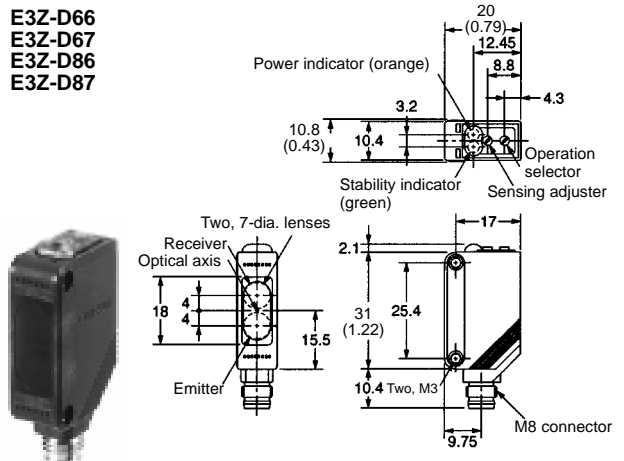


### Retroreflective Models (Connector Models)

E3Z-R66  
E3Z-R86

### Diffuse Reflective Models (Connector Models)

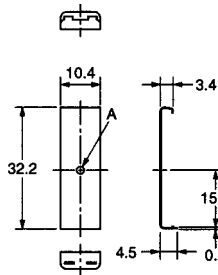
E3Z-D66  
E3Z-D67  
E3Z-D86  
E3Z-D87



ACCESSORIES

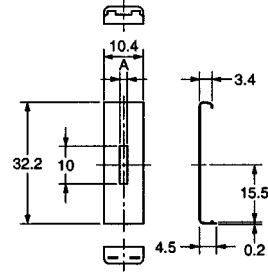
Slits

E39-S65A  
E39-S65B  
E39-S65C



Model	Side A	Material
E39-S65A	0.5 dia.	SUS301 stainless steel
E39-S65B	1.0 dia.	
E39-S65C	2.0 dia.	

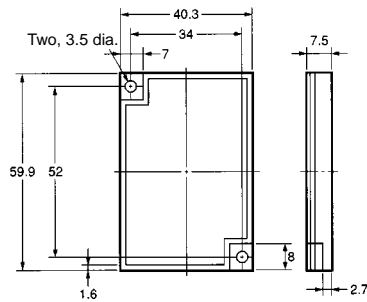
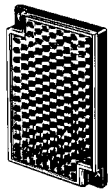
E39-S65D  
E39-S65E  
E39-S65F



Model	Side A	Material
E39-S65D	0.5	SUS301 stainless steel
E39-S65E	1.0	
E39-S65F	2.0	

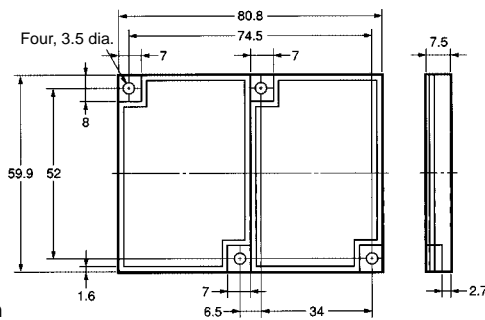
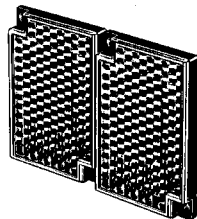
Reflectors

E39-R1  
E39-R1S



Material  
Surface: Acrylic resin  
Backside: ABS resin

E39-R2



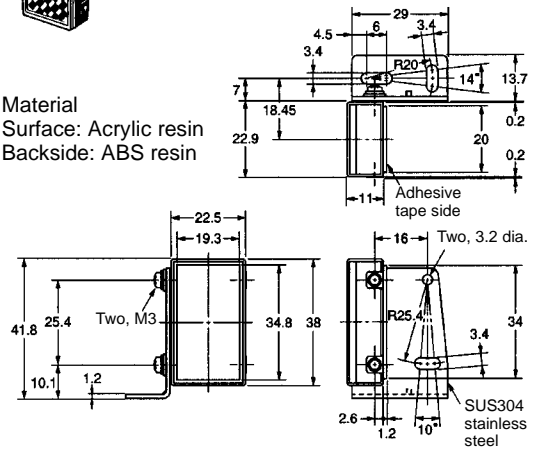
Material  
Surface: Acrylic resin  
Backside: ABS resin

Miniature Reflector

E39-R3



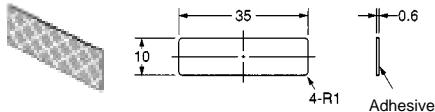
Material  
Surface: Acrylic resin  
Backside: ABS resin





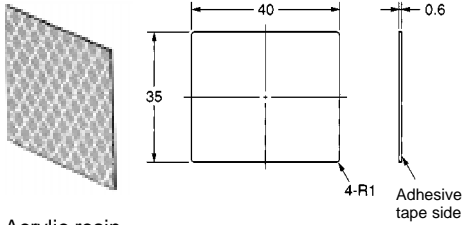
**Tape Reflectors**

**E39-RS1**



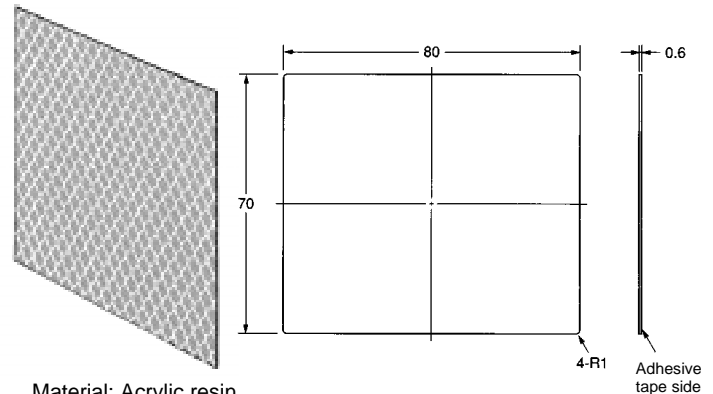
Material: Acrylic resin

**E39-RS2**



Material: Acrylic resin

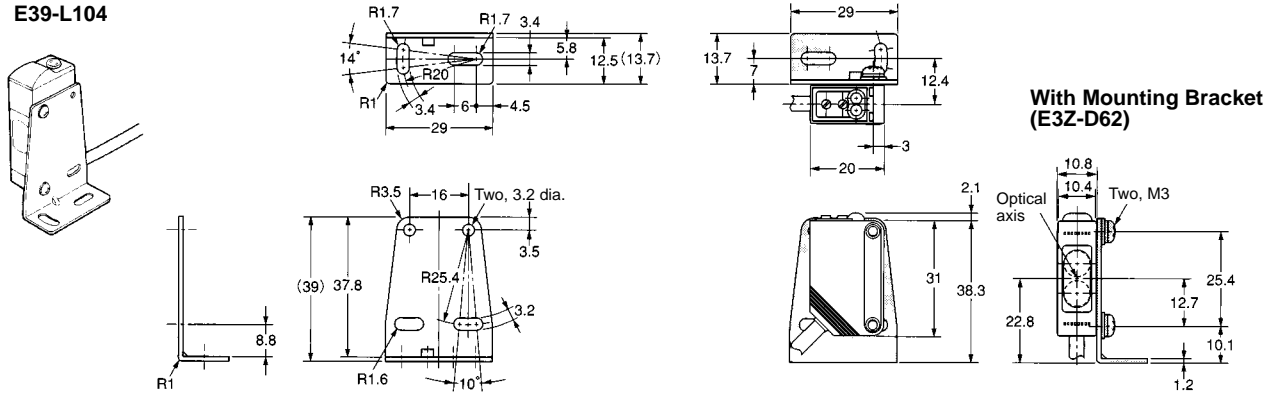
**E39-RS3**



Material: Acrylic resin

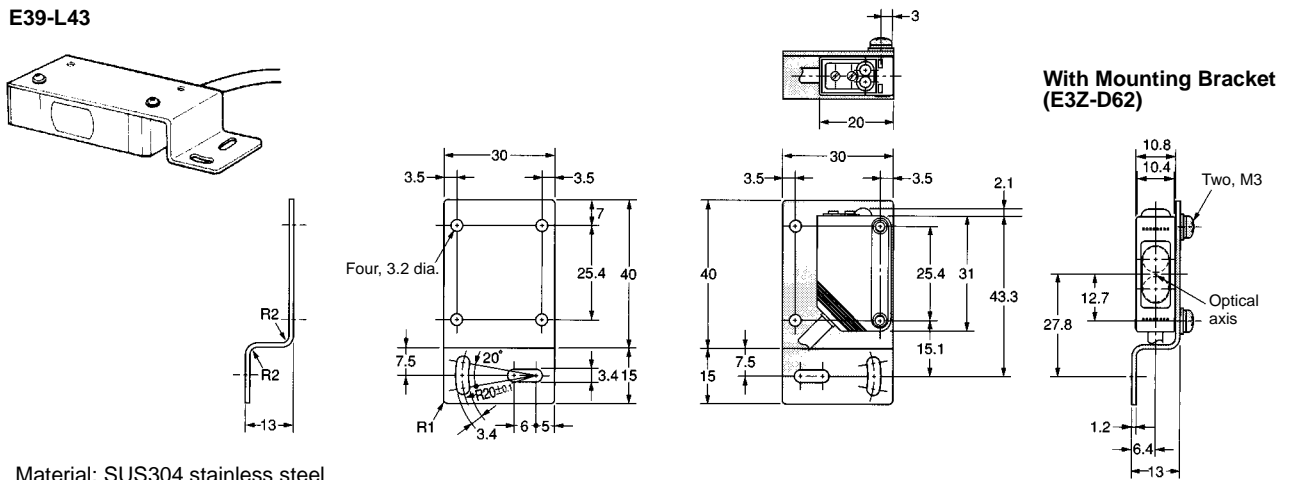
**Mounting Brackets**

**E39-L104**



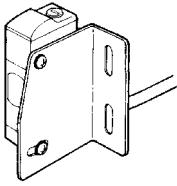
Material: SUS304 stainless steel

**E39-L43**

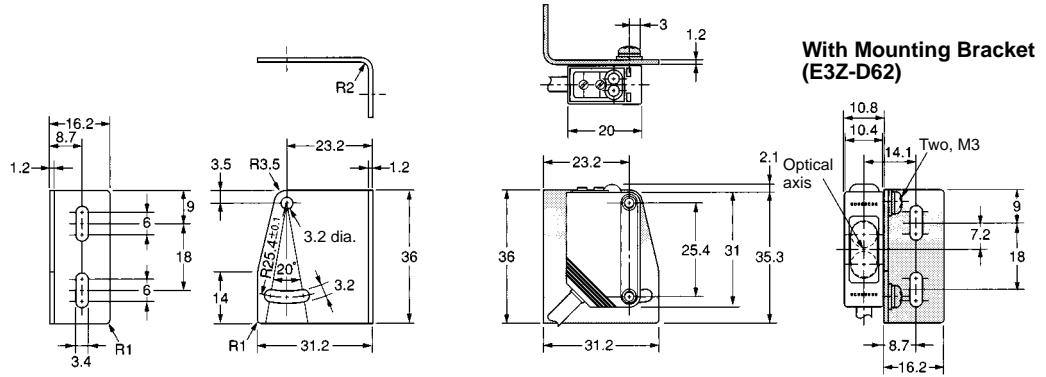


Material: SUS304 stainless steel

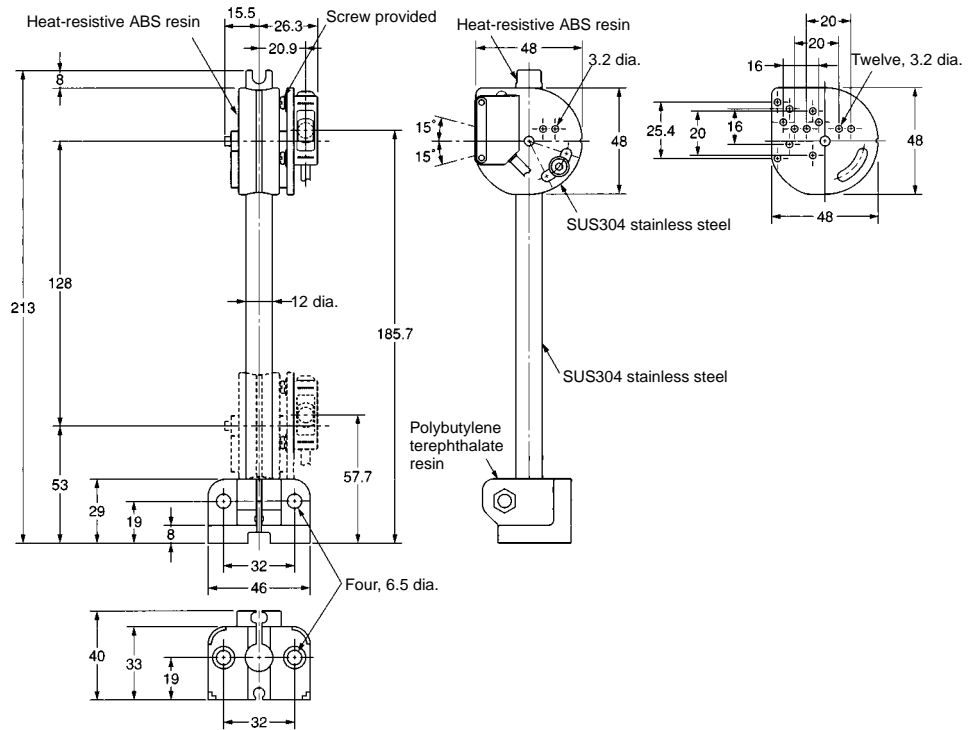
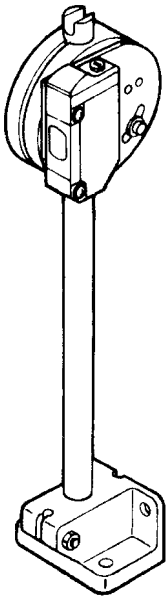
E39-L44



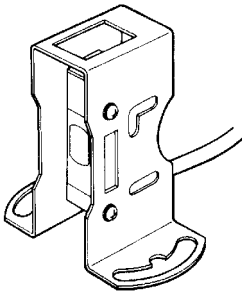
Material: SUS304 stainless steel



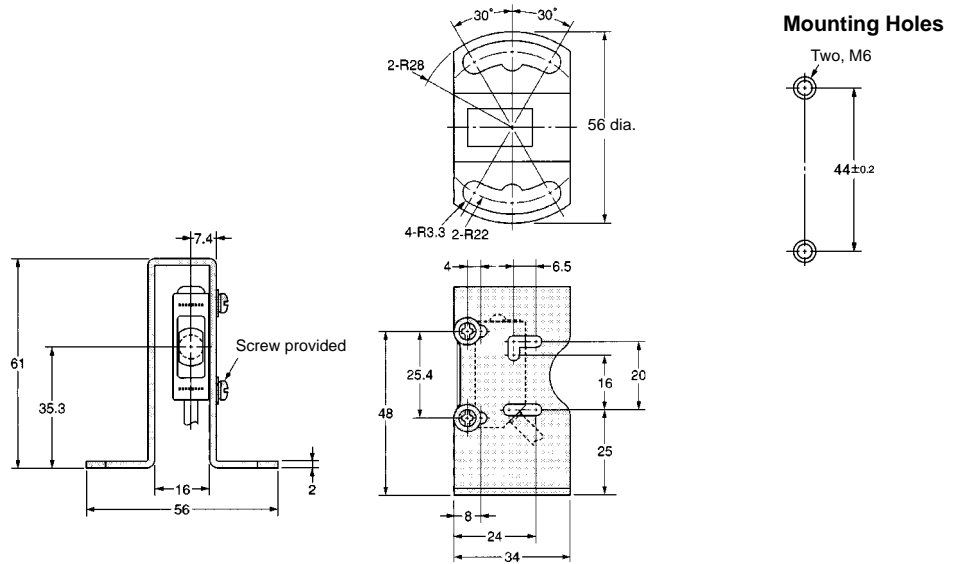
E39-L93



E39-L98



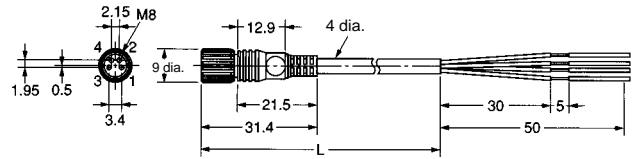
Material: SUS304 stainless steel



## M8 Connectors

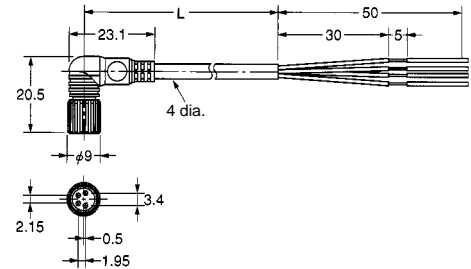
### Straight

XS3F-M421-402-A (L=2 m)  
XS3F-M421-405-A (L=5 m)



### Right Angle

XS3F-M422-402-A (L=2 m)  
XS3F-M422-405-A (L=5 m)



## Precautions

To ensure safe sensor operation, please follow the following precautions:

### ■ WIRING

#### Power Supply Voltage

Make sure that the power supply to the Sensor is within the rated voltage range.

#### Load Short-circuiting

Do not short-circuit the load, or the Sensor may be damaged.

#### Proper Wiring

Correct polarity wiring is required in preventing damage to the sensor.

#### Connection Without Load

Do not connect power supply to the Sensor with no load connected, or the internal elements may explode or burn.

### ■ OPERATING ENVIRONMENT

Do not use the Sensor in locations with explosive or flammable gas.

### ■ SETTINGS

#### Power Reset Time

The Sensor is ready to operate 100 ms after the Sensor is turned ON. If the load and Sensor are connected to independent power supplies respectively, be sure to turn ON the Sensor before turning the load ON.

### ■ CONNECTIONS

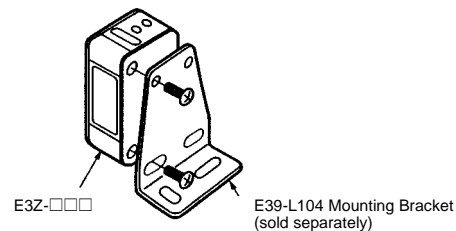
#### M8 Metal Connector

- Turn off power before disconnecting the sensor.
- Remove the connector cover before connecting or disconnecting the metal connector.
- Secure the connector cover by hand. Do not use any pliers, or the connector may be damaged.
- The proper tightening torque range is between 0.3 and 0.4 N • m. Be sure to tighten the connector securely, or the specified degree of protection may not be maintained or the connector may be disconnected due to vibration.

### ■ MOUNTING

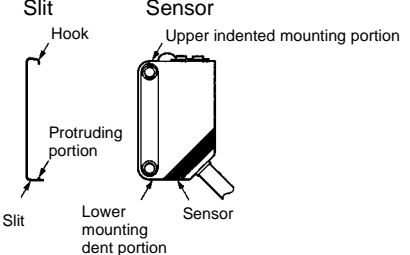
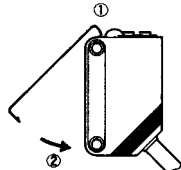
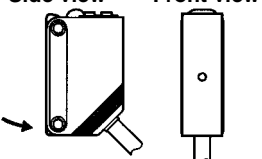
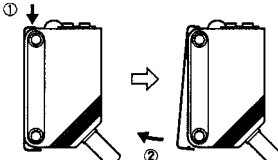
#### Sensor Mounting

Use M3 screws to mount the sensor and tighten each screw to a maximum torque of 0.53 N • m.



## ■ ADJUSTMENT

### Slits for Through-beam Models (E39-S65A/B/C/D/E/F (Sold Separately))

	
<p><b>Mounting method</b></p> <ol style="list-style-type: none"> <li>Hook the upper protruding portion of the Slit to the upper indented mounting portion of the Sensor and adjust the position of the Slit so that the Slit will be in parallel to the lens side of the Sensor.</li> <li>Press the lower protruding portion of the Slit onto the indented mounting portion of the Sensor until the Slit snaps in.</li> </ol>	
<p><b>Mounting condition</b></p>	<p><b>Side view</b>      <b>Front view</b></p> 
<p><b>Removal method</b></p> <ol style="list-style-type: none"> <li>Press the upper portion of the Slit.</li> <li>Disconnect the lower protruding portion of the Slit from the Sensor and remove the Slit.</li> </ol>	

## Terms

---

- **Arc Suppressor**

A simple circuit used to prevent arcing when disconnecting an inductive load. The “reverse EMF” that occurs as the magnetic field collapses can create momentary high voltages that may damage circuit components.
- **Dark-ON**

Operating mode for photoelectric sensors where the output is turned on (transistor becomes conducting, or relay coil is energized) when light is NOT received.
- **Detection Distance**

For *through-beam* type: the maximum distance from transmitter to receiver that allows the receiver to stably receive a light beam emitted from the transmitter.  
For *retroreflective* type: the maximum distance from transmitter to receiver that allows the receiver to stably receive a light beam reflected from the reflector.  
For *diffuse reflective* types: the maximum distance from the sensor head to a standard target that allows the sensor to stably detect a light beam reflected from the object.
- **Diffuse Reflective**

Sensor configuration with the emitter and receiver located in the same housing. Sensing of target is based on reflection of light from the target itself (rather than from a retroreflector).
- **DIN Rail**

Deutsches Institut für Normung is a non-governmental organization established to promote the development of standardization and related activities in Germany and related markets. Over 12,000 DIN standards cover a wide range of topics. The “rail” is a special fastener strip allowing the quick attachment and removal of DIN-rail-mountable items.
- **Hysteresis**

The difference between the switch-on and switch-off point for a sensor. As a target approaches the sensor, the switch-on point is closer than the switch-off point when the target is moving away from the sensor. This design feature avoids “chattering” of a sensor, where the switch-on and switch-off point are very close together. The specification is often reported as a percentage of the sensing range.
- **IEC**

International Electrotechnical Commission.
- **Inductive Load**

Load that usually contains significant inductive characteristics such as a relay coil. When switching this type of load, an arc suppressor should be used to protect the circuit from damage.
- **Infrared**

Term for light that has a longer wavelength (above 700 nm) than red light (670–700 nm). Infrared light is invisible to the human eye.
- **IP**

International Protection; an international standard scale for enclosure ratings.
- **IP66**

Approximately NEMA 4, 4X, “heavy seas” test; the enclosure is subjected to a stream of water from a 1/2” nozzle with 14 psi pressure at a distance of 1.5 meter. Water must not enter the enclosure.
- **IP67**

Approximately NEMA 6, “immersion” test; the enclosure is immersed under 1 meter of water for 30 minutes. No water may enter the enclosure.
- **kgf**

Kilogram Force.
- **Kodak 90% White Card**

A standard reference manufactured by Kodak for reflective surfaces. It is designed to reflect 90% of white light.
- **Light-ON**

Operating mode for photoelectric sensors where the output is turned on (transistor becomes conducting, or relay coil is energized) when light is received.
- **Mutual Interference Protection**

Circuitry that allows the sensor to detect and compensate for interfering signals that may be emanating from sources within its sensing range. The sensor can then operate normally, ignoring the interfering signal(s).
- **NEMA**

National Electrical Manufacturer’s Association; industrial trade organization that publishes testing standards, including enclosure ratings.
- **nm**

Nanometer; a unit of length,  $10^{-9}$  meters,  $3.937 \times 10^{-8}$  inches.
- **NPN**

Transistor output designed to provide a path to ground for current passing through the load (“sinking”). When the NPN output is on, current can then pass from Positive, through the load, and through the NPN transistor to ground, completing the circuit.
- **NPT**

National Pipe Tap standard for tapered pipe threads.
- **PNP**

Transistor output that provides a path to “plus” for current passing through the load (“sourcing”). When the transistor is turned on, current can then pass from Positive, through the PNP transistor, through the load, and to ground, completing the circuit.

- **PNP**

Transistor output that provides a path to “plus” for current passing through the load (“sourcing”). When the transistor is turned on, current can then pass from Positive, through the PNP transistor, through the load, and to ground, completing the circuit.

- **Response Time**

Elapsed time from when a target moves into the sensing zone of a sensor to when the output turns on. May also refer to the “turn-off” time. The sum of turn-on and turn-off time is the total cycle time, reciprocal of switching frequency (Hz).

- **Reverse Polarity Protection**

Circuitry that prevents damage to a device if power is incorrectly connected (polarity reversed, DC). The unit may not work while polarity is reversed, but is not damaged, and will work once polarity is corrected.

- **Short-Circuit Protection**

Circuitry that prevents damage to a device’s output if the output is short-circuited.

- **Slit**

Photoelectric sensor attachment that fits over the lens, reducing the light beam size (width). This allows the sensor to detect smaller objects, but it reduces overall range.

- **Stability Indicator**

Indicates when the signal is above or below the switching threshold by a specified amount. This indicates the stability of the sensor’s ON or OFF condition.

- **Through-beam**

Sensor where the emitter and receiver are in separate housings and arranged facing each other. The target would be detected passing between the emitter and receiver, interrupting the beam.

- **Tightening Torque**

Force (rotational, “torque”) specification often reported in inch-pounds, or newton-meters. The torque is that recommended for proper tightening of a fastener (bolt, screw) to minimize loosening and to avoid damage to a fastener or to an item.

## Reference Information

### ■ WIRE GAUGE

AWG	mm <sup>2</sup>	Diameter (mm)	Diameter (in)
27	0.099	0.361	0.014
26	0.129	0.405	0.016
25	0.163	0.455	0.018
24	0.203	0.511	0.020
23	0.291	0.573	0.024
22	0.317	0.644	0.025
21	0.397	0.723	0.028
20	0.519	0.812	0.032
19	0.657	0.912	0.036
18	0.811	1.024	0.040
17	1.025	1.15	0.045
16	1.32	1.29	0.051
15	1.65	1.45	0.057
14	2.08	1.63	0.064
13	2.63	1.83	0.072
12	3.32	2.05	0.081

### ■ WAVELENGTH

Color	Wavelength
Ultraviolet	below 400 nm
Violet	400–450 nm
Blue	450–500 nm
Green	500–570 nm
Yellow	570–590 nm
Orange	590–610 nm
Red	610–700 nm
Infrared	above 700 nm

### ■ CONVERSIONS

Length	
1 inch = 25.4 mm	1 mm = 0.03937 inch
Force	
1 Newton = 0.2248 lb	
Time	
1μs = 10 <sup>-6</sup> s	
Torque	
1 kgf • m = 86.796 lbf • in	1 lbf • in = 0.01152 kgf • m
1 N • m = 8.85 in • lb	
Weight	
1 gram = 2.205 x 10 <sup>-3</sup> lbs	1 lb = 453.6 grams

**NOTE: DIMENSIONS SHOWN ARE IN MILLIMETERS. To convert millimeters to inches divide by 25.4.**

**OMRON**<sup>®</sup>  
**OMRON ELECTRONICS, INC.**  
One East Commerce Drive  
Schaumburg, IL 60173  
**1-800-55-OMRON**

**OMRON CANADA, INC.**  
885 Milner Avenue  
Scarborough, Ontario M1B 5V8  
**416-286-6465**

# Mouser Electronics

Authorized Distributor

Click to View Pricing, Inventory, Delivery & Lifecycle Information:

Omron:

[E39-S65A](#) [E39-S65B](#) [E39-S65C](#) [E39-S65D](#) [E39-S65E](#) [E39-S65F](#)