



# LPC11Axx

**32-bit ARM Cortex-M0 microcontroller; up to 32 kB flash, 8 kB SRAM, 4 kB EEPROM; configurable analog/mixed-signal**

Rev. 3 — 7 September 2012

Product data sheet

## 1. General description

---

The LPC11Axx are an ARM Cortex-M0 based, low-cost 32-bit MCU family, designed for 8/16-bit microcontroller applications, offering performance, low power, simple instruction set and memory addressing together with reduced code size compared to existing 8/16-bit architectures.

The LPC11Axx operate at CPU frequencies of up to 50 MHz.

Analog/mixed-signal subsystems can be configured by software from interconnected digital and analog peripherals.

The digital peripherals on the LPC11Axx include up to 32 kB of flash memory, up to 4 kB of EEPROM data memory, up to 8 kB of SRAM data memory, a Fast-mode Plus I<sup>2</sup>C-bus interface, a RS-485/EIA-485 USART, two SSP controllers, four general purpose counter/timers, and up to 42 general purpose I/O pins.

Analog peripherals include a 10-bit ADC, a 10-bit DAC, an analog comparator, a temperature sensor, an internal voltage reference, and UnderVoltage LockOut (UVLO) protection.

## 2. Features and benefits

---

- System:
  - ◆ ARM Cortex-M0 processor, running at frequencies of up to 50 MHz.
  - ◆ ARM Cortex-M0 built-in Nested Vectored Interrupt Controller (NVIC).
  - ◆ Serial Wire Debug (SWD)
  - ◆ JTAG boundary scan.
  - ◆ System tick timer.
- Memory:
  - ◆ Up to 32 kB on-chip flash program memory.
  - ◆ Up to 4 kB on-chip EEPROM data memory; byte erasable and byte programmable.
  - ◆ Up to 8 kB SRAM data memory.
  - ◆ 16 kB boot ROM.
  - ◆ In-System Programming (ISP) for flash and In-Application Programming (IAP) for flash and EEPROM via on-chip bootloader software.
  - ◆ Includes ROM-based 32-bit integer division and I<sup>2</sup>C-bus driver routines.
- Digital peripherals:
  - ◆ Up to 42 General Purpose I/O (GPIO) pins with configurable pull-up/pull-down resistors, repeater mode, and open-drain mode.



- ◆ Up to 16 pins are configurable with a digital input glitch filter for removing glitches with widths of 10 ns or less and two pins are configurable for 50 ns glitch filters.
- ◆ GPIO pins can be used as edge and level sensitive interrupt sources.
- ◆ High-current source output driver (20 mA) on one pin (PIO0\_21).
- ◆ High-current sink driver (20 mA) on true open-drain pins (PIO0\_2 and PIO0\_3).
- ◆ Four general purpose counter/timers with a total of up to 16 capture inputs and 14 match outputs.
- ◆ Programmable Windowed WatchDog Timer (WWDT) with a dedicated, internal low-power WatchDog Oscillator (WDOsc).
- Analog peripherals:
  - ◆ 10-bit ADC with input multiplexing among 8 pins.
  - ◆ 10-bit DAC with flexible conversion triggering.
  - ◆ Highly flexible analog comparator with a programmable voltage reference.
  - ◆ Integrated temperature sensor.
  - ◆ Internal voltage reference.
  - ◆ UnderVoltage Lockout (UVLO) protection against power-supply droop below 2.4 V.
- Serial interfaces:
  - ◆ USART with fractional baud rate generation, internal FIFO, support for RS-485/9-bit mode and synchronous mode.
  - ◆ Two SSP controllers with FIFO and multi-protocol capabilities. Support data rates of up to 25 Mbit/s.
  - ◆ I<sup>2</sup>C-bus interface supporting the full I<sup>2</sup>C-bus specification and Fast-mode Plus with a data rate of 1 Mbit/s with multiple address recognition and monitor mode.
- Clock generation:
  - ◆ Crystal Oscillator (SysOsc) with an operating range of 1 MHz to 25 MHz.
  - ◆ 12 MHz internal RC Oscillator (IRC) trimmed to 1% accuracy that can optionally be used as a system clock.
  - ◆ Internal low-power, Low-Frequency Oscillator (LFOsc) with programmable frequency output.
  - ◆ Clock input for external system clock (25 MHz typical).
  - ◆ PLL allows CPU operation up to the maximum CPU rate with the IRC, the external clock, or the SysOsc as clock sources.
  - ◆ Clock output function with divider that can reflect the SysOsc, the IRC, the main clock, or the LFOsc.
- Power control:
  - ◆ Supports one reduced power mode: The ARM Sleep mode.
  - ◆ Power profiles residing in boot ROM allowing to optimize performance and minimize power consumption for any given application through one simple function call.
  - ◆ Processor wake-up from reduced power mode using any interrupt.
  - ◆ Power-On Reset (POR).
  - ◆ Brown-Out Detect (BOD) with two programmable thresholds for interrupt and one hardware controlled reset trip point.
  - ◆ POR and BOD are always enabled for rapid UVLO protection against power supply voltage droop below 2.4 V.
- Unique device serial number for identification.

- Single 3.3 V power supply (2.6 V to 3.6 V).
- Temperature range  $-40\text{ }^{\circ}\text{C}$  to  $+85\text{ }^{\circ}\text{C}$ .
- Available as LQFP48 package, HVQFN33 ( $7 \times 7$ ) and HVQFN33 ( $5 \times 5$ ) packages, and in a very small WLCSP20 package.

### 3. Applications

- Power management
- Industrial control
- Remote monitoring
- Point-of-sale
- Test and measurement equipment
- Network appliances and services
- Factory automation
- Gaming equipment
- Motion control
- Medical instrumentation
- Fire and security
- Sensors
- Precision instrumentation
- HVAC and building control

### 4. Ordering information

Table 1. Ordering information

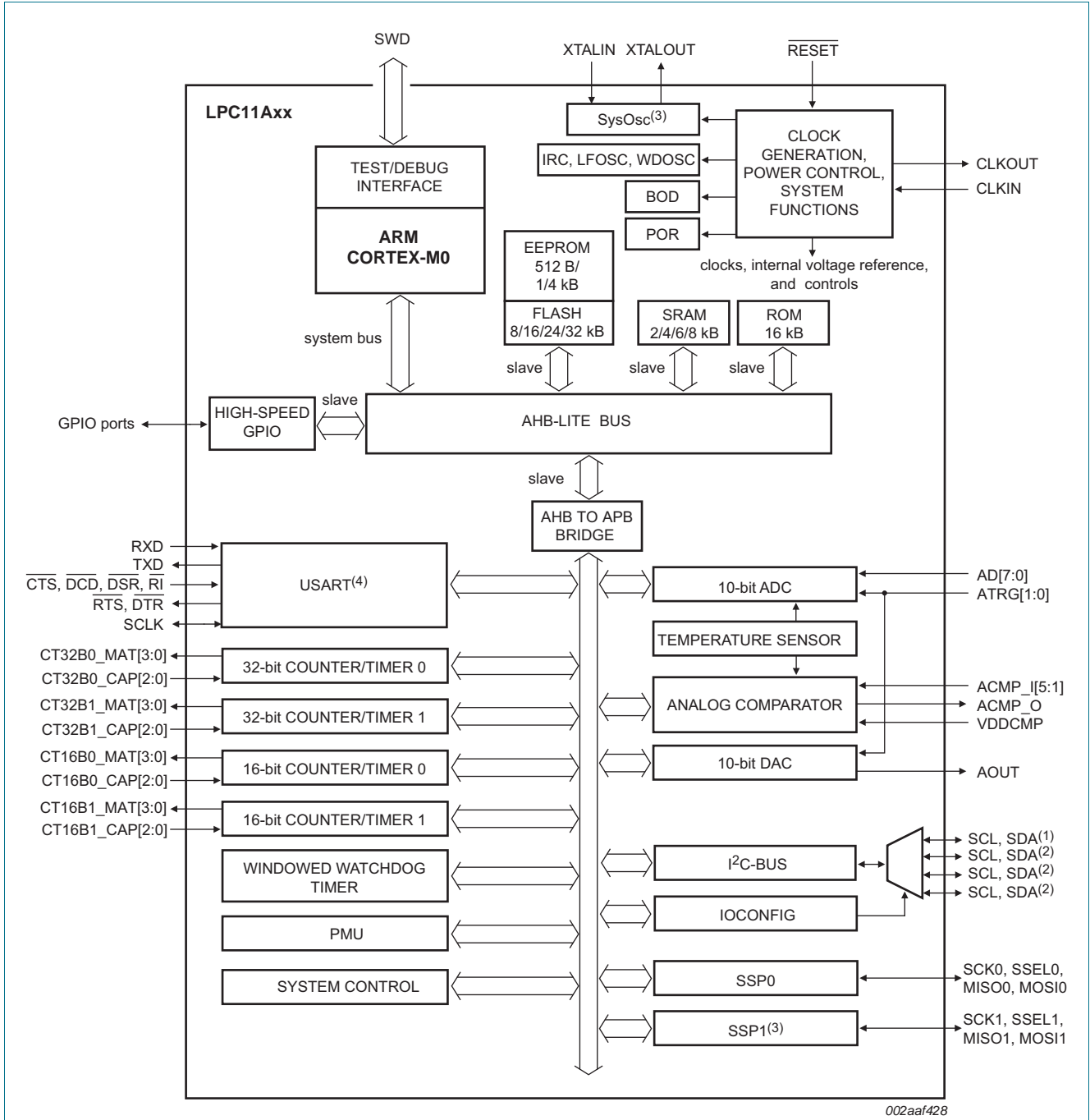
| Type number       | Package |  |          |
|-------------------|---------|--|----------|
|                   | Name    | Description  | Version  |
| LPC11A02UK        | WLCSP20 | wafer level chip-size package; 20 bumps; $2.5 \times 2.5 \times 0.6\text{ mm}$   | -        |
| LPC11A04UK        | WLCSP20 | wafer level chip-size package; 20 bumps; $2.5 \times 2.5 \times 0.6\text{ mm}$   | -        |
| LPC11A11FHN33/001 | HVQFN33 | HVQFN: plastic thermal enhanced very thin quad flat package; no leads; 33 terminals; body $7 \times 7 \times 0.85\text{ mm}$ | n/a      |
| LPC11A12FHN33/101 | HVQFN33 | HVQFN: plastic thermal enhanced very thin quad flat package; no leads; 33 terminals; body $7 \times 7 \times 0.85\text{ mm}$ | n/a      |
| LPC11A13FHI33/201 | HVQFN33 | HVQFN: plastic thermal enhanced very thin quad flat package; no leads; 33 terminals; body $5 \times 5 \times 0.85\text{ mm}$ | n/a      |
| LPC11A14FHN33/301 | HVQFN33 | HVQFN: plastic thermal enhanced very thin quad flat package; no leads; 33 terminals; body $7 \times 7 \times 0.85\text{ mm}$ | n/a      |
| LPC11A12FBD48/101 | LQFP48  | LQFP48: plastic low profile quad flat package; 48 leads; body $7 \times 7 \times 1.4\text{ mm}$                              | SOT313-2 |
| LPC11A14FBD48/301 | LQFP48  | LQFP48: plastic low profile quad flat package; 48 leads; body $7 \times 7 \times 1.4\text{ mm}$                              | SOT313-2 |

### 4.1 Ordering options

Table 2. Ordering options

| Type number       | Flash | SRAM | EEPROM | 10-bit ADC channels | 10-bit DAC | Temperature sensor | Analog comparator | USART | SSP/SPI | I <sup>2</sup> C | GPIO | Package |
|-------------------|-------|------|--------|---------------------|------------|--------------------|-------------------|-------|---------|------------------|------|---------|
| LPC11A02UK        | 16 kB | 4 kB | 2 kB   | 8                   | 1          | 1                  | 1                 | 1     | 1       | 1                | 18   | WLCSP20 |
| LPC11A04UK        | 32 kB | 8 kB | 4 kB   | 8                   | 1          | 1                  | 1                 | 1     | 1       | 1                | 18   | WLCSP20 |
| LPC11A11FHN33/001 | 8 kB  | 2 kB | 512 B  | 8                   | 1          | 1                  | 1                 | 1     | 2       | 1                | 28   | HVQFN33 |
| LPC11A12FHN33/101 | 16 kB | 4 kB | 1 kB   | 8                   | 1          | 1                  | 1                 | 1     | 2       | 1                | 28   | HVQFN33 |
| LPC11A12FBD48/101 | 16 kB | 4 kB | 1 kB   | 8                   | 1          | 1                  | 1                 | 1     | 2       | 1                | 42   | LQFP48  |
| LPC11A13FHI33/201 | 24 kB | 6 kB | 2 kB   | 8                   | 1          | 1                  | 1                 | 1     | 2       | 1                | 28   | HVQFN33 |
| LPC11A14FHN33/301 | 32 kB | 8 kB | 4 kB   | 8                   | 1          | 1                  | 1                 | 1     | 2       | 1                | 28   | HVQFN33 |
| LPC11A14FBD48/301 | 32 kB | 8 kB | 4 kB   | 8                   | 1          | 1                  | 1                 | 1     | 2       | 1                | 42   | LQFP48  |

5. Block diagram



- (1) Open-drain pins.
- (2) Standard I/O pins.
- (3) Not available on WLCSP packages.
- (4) Modem control pins not available on WLCSP packages.

Fig 1. LPC11Axx block diagram

## 6. Pinning information

### 6.1 Pinning

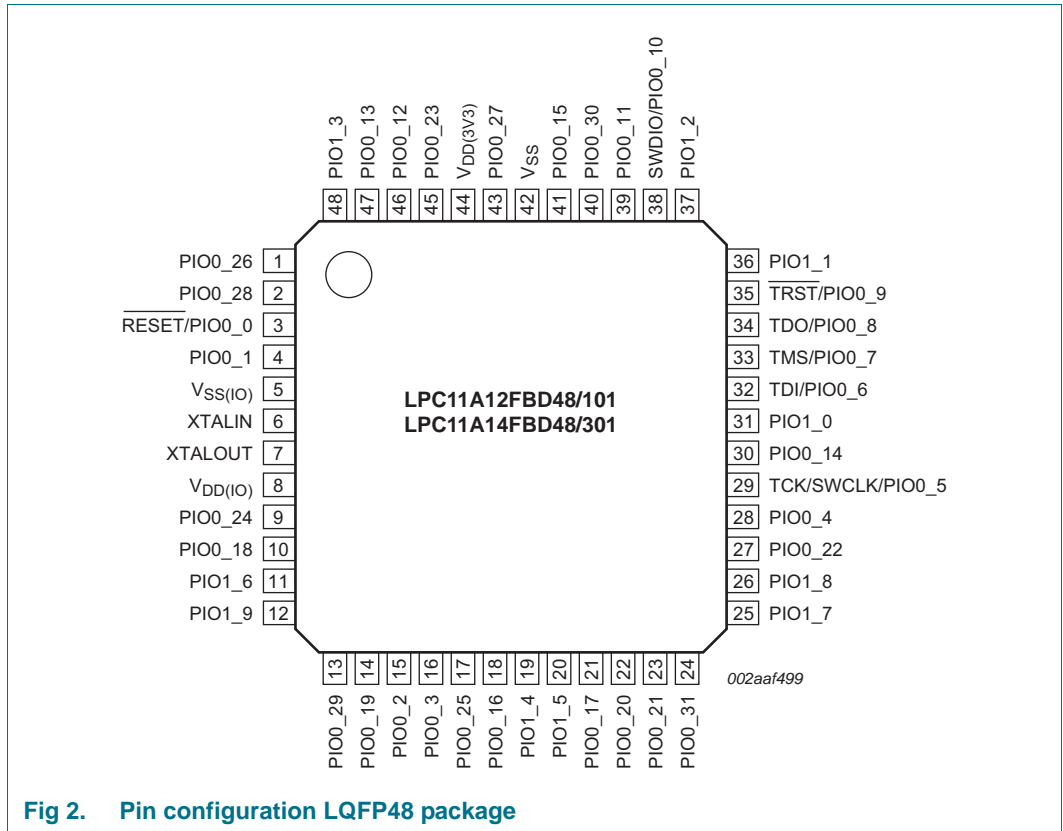
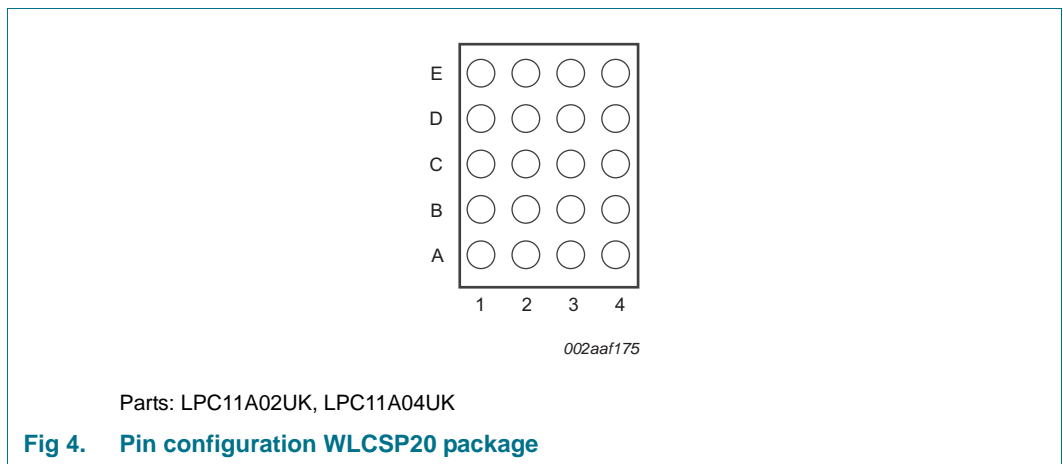
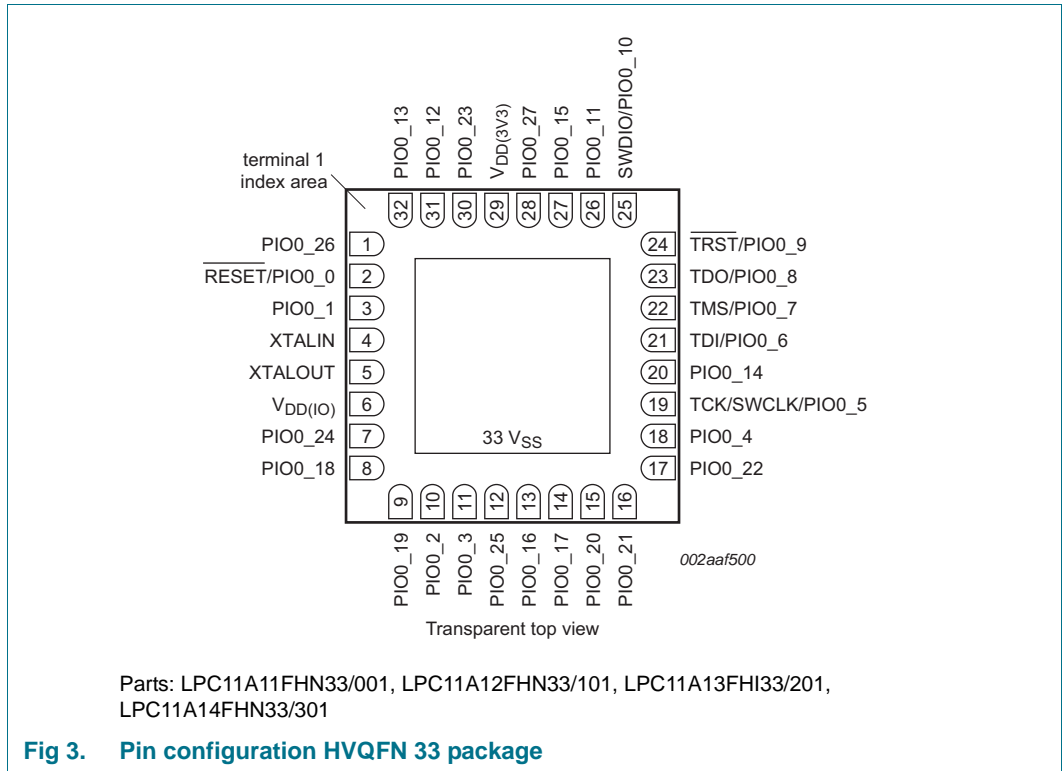


Fig 2. Pin configuration LQFP48 package



### 6.2 Pin description

All functional pins on the LPC11Axx are mapped to GPIO port 0 and port 1 (see [Table 4](#)). The port pins are multiplexed to accommodate more than one function (see [Table 3](#)).

The pin function is controlled by the pin's IOCON register (see the *LPC11Axx user manual*). The standard I/O pad configuration is illustrated in [Figure 31](#) and a detailed pin description is given in [Table 4](#).

**Table 3. Pin multiplexing**

| Function   | Type           |         |                      | LQFP48 | HVQFN33 | WCSP20 |
|--|----------------|---------|----------------------|--------|---------|--------|
|  |                | Port    | Glitch filter        | Pin    | Pin     | Ball   |
| <b>System clocks, reset, and wake-up</b>         |                |         |                      |        |         |        |
| CLKIN  | I              | PIO0_1  | no                   | 4      | 3       | B2     |
|  |                | PIO0_12 | no                   | 46     | 31      | E1     |
|  |                | PIO0_19 | no                   | 14     | 9       | -      |
|  |                | PIO0_24 | no                   | 9      | 7       | -      |
| CLKOUT   | O              | PIO0_1  | no                   | 4      | 3       | B2     |
|  |                | PIO0_19 | no                   | 14     | 9       | -      |
| XTALIN   | I<br>(analog)  | -       | -                    | 6      | 4       | -      |
| XTALOUT  | O<br>(analog)  | -       | -                    | 7      | 5       | -      |
| RESET  | I              | PIO0_0  | 20 ns <sup>[1]</sup> | 3      | 2       | C1     |
| <b>Serial Wire Debug (SWD) and JTAG</b>          |                |         |                      |        |         |        |
| TRST   | I              | PIO0_9  | 10 ns <sup>[2]</sup> | 35     | 24      | D4     |
| TCK  | I              | PIO0_5  | 10 ns <sup>[2]</sup> | 29     | 19      | B3     |
| TDI  | I              | PIO0_6  | 10 ns <sup>[2]</sup> | 32     | 21      | C3     |
| TDO  | O              | PIO0_8  | no                   | 34     | 23      | C2     |
| TMS  | I              | PIO0_7  | 10 ns <sup>[2]</sup> | 33     | 22      | C4     |
| SWCLK  | I              | PIO0_2  | 50 ns <sup>[2]</sup> | 15     | 10      | A1     |
|  |                | PIO0_5  | 10 ns <sup>[2]</sup> | 29     | 19      | B3     |
| SWDIO  | I/O            | PIO0_3  | 50 ns <sup>[2]</sup> | 16     | 11      | B1     |
|  |                | PIO0_10 | 10 ns <sup>[2]</sup> | 38     | 25      | D3     |
| <b>Analog peripherals (ADC, DAC, comparator)</b> |                |         |                      |        |         |        |
| ACMP_I1  | I<br>(analog)  | PIO0_27 | no                   | 43     | 28      | -      |
| ACMP_I2  | I<br>(analog)  | PIO0_13 | no                   | 47     | 32      | D1     |
| ACMP_I3  | I<br>(analog)  | PIO0_16 | no                   | 18     | 13      | A2     |
| ACMP_I4  | I<br>(analog)  | PIO0_17 | no                   | 21     | 14      | A3     |
| ACMP_I5  | I<br>(analog)  | PIO0_22 | no                   | 27     | 17      | -      |
| ACMP_O   | O<br>(digital) | PIO0_2  | no                   | 15     | 10      | A1     |
|  |                | PIO0_3  | no                   | 16     | 11      | B1     |
|  |                | PIO0_12 | no                   | 46     | 31      | E1     |
|  |                | PIO0_21 | no                   | 23     | 16      | -      |
|  |                | PIO0_23 | no                   | 45     | 30      | -      |
| AD0  | I<br>(analog)  | PIO0_6  | no                   | 32     | 21      | C3     |
| AD1  | I<br>(analog)  | PIO0_7  | no                   | 33     | 22      | C4     |



**Table 3. Pin multiplexing**

| Function | Type          |         |                      | LQFP48 | HVQFN33 | WCSP20 |
|----------|---------------|---------|----------------------|--------|---------|--------|
|          |               | Port    | Glitch filter        | Pin    | Pin     | Ball   |
| AD2      | I<br>(analog) | PIO0_8  | no                   | 34     | 23      | C2     |
| AD3      | I<br>(analog) | PIO0_9  | no                   | 35     | 24      | D4     |
| AD4      | I<br>(analog) | PIO0_10 | no                   | 38     | 25      | D3     |
| AD5      | I<br>(analog) | PIO0_11 | no                   | 39     | 26      | D2     |
| AD6      | I<br>(analog) | PIO0_14 | no                   | 30     | 20      | B4     |
| AD7      | I<br>(analog) | PIO0_15 | no                   | 41     | 27      | E4     |
| AOUT     | O<br>(analog) | PIO0_4  | no                   | 28     | 18      | A4     |
| ATRG0    | I             | PIO0_16 | 10 ns <sup>[2]</sup> | 18     | 13      | A2     |
| ATRG1    | I             | PIO0_17 | 10 ns <sup>[2]</sup> | 21     | 14      | A3     |
| VDDCMP   | I<br>(analog) | PIO0_14 | no                   | 30     | 20      | -      |
|          |               | PIO0_5  | no                   | -      | -       | B3     |

**I<sup>2</sup>C-bus interface**

|     |     |         |                      |    |    |    |
|-----|-----|---------|----------------------|----|----|----|
| SCL | I/O | PIO0_2  | 50 ns <sup>[2]</sup> | 15 | 10 | A1 |
|     |     | PIO0_12 | no                   | 46 | 31 | E1 |
|     |     | PIO0_16 | 10 ns <sup>[2]</sup> | 18 | 13 | A2 |
|     |     | PIO0_24 | no                   | 9  | 7  | -  |
| SDA | I/O | PIO0_3  | 50 ns <sup>[2]</sup> | 16 | 11 | B1 |
|     |     | PIO0_13 | 10 ns <sup>[2]</sup> | 47 | 32 | D1 |
|     |     | PIO0_15 | 10 ns <sup>[2]</sup> | 41 | 27 | E4 |
|     |     | PIO0_25 | no                   | 17 | 12 | -  |

**SSP0 controller**

|       |     |         |                      |    |    |    |
|-------|-----|---------|----------------------|----|----|----|
| MISO0 | I/O | PIO0_6  | 10 ns <sup>[2]</sup> | 32 | 21 | C3 |
|       |     | PIO0_22 | 10 ns <sup>[2]</sup> | 27 | 17 | -  |
|       |     | PIO1_2  | no                   | 37 | -  | -  |
| MOSI0 | I/O | PIO0_4  | 10 ns <sup>[2]</sup> | 28 | 18 | A4 |
|       |     | PIO0_19 | no                   | 14 | 9  | -  |
|       |     | PIO1_3  | no                   | 48 | -  | -  |
|       |     | PIO1_7  | no                   | 25 | -  | -  |
| SCK0  | I/O | PIO0_5  | 10 ns <sup>[2]</sup> | 29 | 19 | B3 |
|       |     | PIO0_20 | no                   | 22 | 15 | -  |
|       |     | PIO1_0  | no                   | 31 | -  | -  |
| SSEL0 | I/O | PIO0_1  | no                   | 4  | 3  | B2 |
|       |     | PIO0_18 | no                   | 10 | 8  | -  |
|       |     | PIO1_1  | no                   | 36 | -  | -  |

Table 3. Pin multiplexing

| Function                | Type |         |                      | LQFP48 | HVQFN33 | WCSP20 |
|-------------------------|------|---------|----------------------|--------|---------|--------|
|                         |      | Port    | Glitch filter        | Pin    | Pin     | Ball   |
| <b>SSP1 controller</b>  |      |         |                      |        |         |        |
| MISO1                   | I/O  | PIO0_14 | 10 ns <sup>[2]</sup> | 30     | 20      | -      |
|                         |      | PIO0_26 | no                   | 1      | 1       | -      |
|                         |      | PIO1_8  | no                   | 26     | -       | -      |
| MOSI1                   | I/O  | PIO0_27 | 10 ns <sup>[2]</sup> | 43     | 28      | -      |
|                         |      | PIO0_31 | no                   | 24     | -       | -      |
|                         |      | PIO0_30 | no                   | 40     | -       | -      |
|                         |      | PIO1_6  | no                   | 11     | -       | -      |
| SCK1                    | I/O  | PIO0_8  | 10 ns <sup>[2]</sup> | 34     | 23      | -      |
|                         |      | PIO1_5  | no                   | 20     | -       | -      |
|                         |      | PIO0_29 | no                   | 13     | -       | -      |
| SSEL1                   | I/O  | PIO0_25 | no                   | 17     | 12      | -      |
|                         |      | PIO1_4  | no                   | 19     | -       | -      |
|                         |      | PIO0_28 | no                   | 2      | -       | -      |
| <b>USART</b>            |      |         |                      |        |         |        |
| RXD                     | I    | PIO0_1  | no                   | 4      | 3       | B2     |
|                         |      | PIO0_12 | no                   | 46     | 31      | E1     |
|                         |      | PIO1_4  | no                   | 19     | -       | -      |
|                         |      | PIO1_8  | no                   | 26     | -       | -      |
| TXD                     | O    | PIO0_13 | no                   | 47     | 32      | D1     |
|                         |      | PIO0_15 | no                   | 41     | 27      | E4     |
|                         |      | PIO0_26 | no                   | 1      | 1       | -      |
|                         |      | PIO1_5  | no                   | 20     | -       | -      |
| SCLK                    | I/O  | PIO0_11 | 10 ns <sup>[2]</sup> | 39     | 26      | D2     |
|                         |      | PIO0_21 | no                   | 23     | 16      | -      |
|                         |      | PIO0_23 | no                   | 45     | 30      | -      |
| $\overline{\text{CTS}}$ | I    | PIO0_9  | 10 ns <sup>[2]</sup> | 35     | 24      | D4     |
|                         |      | PIO0_21 | no                   | 23     | 16      | -      |
|                         |      | PIO1_7  | no                   | 25     | -       | -      |
| $\overline{\text{RTS}}$ | O    | PIO0_10 | no                   | 38     | 25      | D3     |
|                         |      | PIO0_23 | no                   | 45     | 30      | -      |
|                         |      | PIO1_6  | no                   | 11     | -       | -      |
| $\overline{\text{DCD}}$ | I    | PIO1_9  | no                   | 12     | -       | -      |
|                         |      | PIO1_0  | no                   | 31     | -       | -      |
| $\overline{\text{DSR}}$ | I    | PIO0_29 | no                   | 13     | -       | -      |
|                         |      | PIO1_2  | no                   | 37     | -       | -      |
| $\overline{\text{DTR}}$ | O    | PIO0_28 | no                   | 2      | -       | -      |
|                         |      | PIO1_1  | no                   | 36     | -       | -      |

Table 3. Pin multiplexing

| Function                           | Type |         |                      | LQFP48 | HVQFN33 | WCSP20 |
|------------------------------------|------|---------|----------------------|--------|---------|--------|
|                                    |      | Port    | Glitch filter        | Pin    | Pin     | Ball   |
| RI                                 | I    | PIO0_30 | no                   | 40     | -       | -      |
|                                    |      | PIO0_31 | no                   | 24     | -       | -      |
|                                    |      | PIO1_3  | no                   | 48     | -       | -      |
| <b>16-bit counter/timer CT16B0</b> |      |         |                      |        |         |        |
| CT16B0_CAP0                        | I    | PIO0_2  | 50 ns <sup>[2]</sup> | 15     | 10      | A1     |
|                                    |      | PIO0_18 | no                   | 10     | 8       | -      |
|                                    |      | PIO0_30 | no                   | 40     | -       | -      |
| CT16B0_CAP1                        | I    | PIO0_16 | 10 ns <sup>[2]</sup> | 18     | 13      | A2     |
|                                    |      | PIO1_4  | no                   | 19     | -       | -      |
| CT16B0_CAP2                        | I    | PIO0_17 | 10 ns <sup>[2]</sup> | 21     | 14      | A3     |
|                                    |      | PIO1_5  | no                   | 20     | -       | -      |
| CT16B0_MAT0                        | O    | PIO0_7  | no                   | 33     | 22      | C4     |
|                                    |      | PIO0_17 | no                   | 21     | 14      | A3     |
|                                    |      | PIO1_6  | no                   | 11     | -       | -      |
| CT16B0_MAT1                        | O    | PIO0_4  | no                   | 28     | 18      | A4     |
|                                    |      | PIO0_9  | no                   | 35     | 24      | D4     |
|                                    |      | PIO1_0  | no                   | 31     | -       | -      |
| CT16B0_MAT2                        | O    | PIO0_5  | no                   | 29     | 19      | B3     |
|                                    |      | PIO0_10 | no                   | 38     | 25      | D3     |
|                                    |      | PIO1_7  | no                   | 25     | -       | -      |
| <b>16-bit counter/timer CT16B1</b> |      |         |                      |        |         |        |
| CT16B1_CAP0                        | I    | PIO0_3  | 50 ns <sup>[2]</sup> | 16     | 11      | B1     |
|                                    |      | PIO0_24 | no                   | 9      | 7       | -      |
|                                    |      | PIO1_3  | no                   | 48     | -       | -      |
| CT16B1_CAP1                        | I    | PIO0_18 | no                   | 10     | 8       | -      |
|                                    |      | PIO0_26 | no                   | 1      | 1       | -      |
|                                    |      | PIO0_31 | no                   | 24     | -       | -      |
| CT16B1_CAP2                        | I    | PIO0_27 | 10 ns <sup>[2]</sup> | 43     | 28      | -      |
|                                    |      | PIO1_7  | no                   | 25     | -       | -      |
| CT16B1_MAT0                        | O    | PIO0_19 | no                   | 14     | 9       | -      |
|                                    |      | PIO0_25 | no                   | 17     | 12      | -      |
|                                    |      | PIO1_1  | no                   | 36     | -       | -      |
| CT16B1_MAT1                        | O    | PIO0_14 | no                   | 30     | 20      | B4     |
|                                    |      | PIO1_2  | no                   | 37     | -       | -      |
|                                    |      | PIO1_8  | no                   | 26     | -       | -      |
| CT16B1_MAT2                        | O    | PIO0_20 | no                   | 22     | 15      | -      |
|                                    |      | PIO1_2  | no                   | 37     | -       | -      |
|                                    |      | PIO1_9  | no                   | 12     | -       | -      |

Table 3. Pin multiplexing

| Function                           | Type   |         |                      | LQFP48 | HVQFN33 | WCSP20 |
|------------------------------------|--------|---------|----------------------|--------|---------|--------|
|                                    |        | Port    | Glitch filter        | Pin    | Pin     | Ball   |
| <b>32-bit counter/timer CT32B0</b> |        |         |                      |        |         |        |
| CT32B0_CAP0                        | I      | PIO0_11 | 10 ns <sup>[2]</sup> | 39     | 26      | D2     |
|                                    |        | PIO0_23 | no                   | 45     | 30      | -      |
|                                    |        | PIO0_28 | no                   | 2      | -       | -      |
| CT32B0_CAP1                        | I      | PIO0_14 | 10 ns <sup>[2]</sup> | 30     | 20      | B4     |
|                                    |        | PIO0_29 | no                   | 13     | -       | -      |
| CT32B0_CAP2                        | I      | PIO0_15 | 10 ns <sup>[2]</sup> | 41     | 27      | E4     |
|                                    |        | PIO0_26 | no                   | 1      | 1       | -      |
| CT32B0_MAT0                        | O      | PIO0_12 | no                   | 46     | 31      | E1     |
|                                    |        | PIO0_30 | no                   | 40     | -       | -      |
| CT32B0_MAT1                        | O      | PIO0_13 | no                   | 47     | 32      | D1     |
|                                    |        | PIO1_4  | no                   | 19     | -       | -      |
| CT32B0_MAT2                        | O      | PIO0_1  | no                   | 4      | 3       | B2     |
|                                    |        | PIO1_5  | no                   | 20     | -       | -      |
| CT32B0_MAT3                        | O      | PIO0_6  | no                   | 32     | 21      | C3     |
|                                    |        | PIO1_6  | no                   | 11     | -       | -      |
| <b>32-bit counter/timer CT32B1</b> |        |         |                      |        |         |        |
| CT32B1_CAP0                        | I      | PIO0_7  | 10 ns <sup>[2]</sup> | 33     | 22      | C4     |
|                                    |        | PIO0_20 | no                   | 22     | 15      | -      |
|                                    |        | PIO1_4  | no                   | 19     | -       | -      |
| CT32B1_CAP1                        | I      | PIO0_21 | no                   | 23     | 16      | -      |
|                                    |        | PIO1_5  | no                   | 20     | -       | -      |
| CT32B1_CAP2                        | I      | PIO0_22 | 10 ns <sup>[2]</sup> | 27     | 17      | -      |
|                                    |        | PIO1_6  | no                   | 11     | -       | -      |
| CT32B1_MAT0                        | O      | PIO0_8  | no                   | 34     | 23      | C2     |
|                                    |        | PIO0_31 | no                   | 24     | -       | -      |
|                                    |        | PIO1_8  | no                   | 26     | -       | -      |
| CT32B1_MAT1                        | O      | PIO0_9  | no                   | 35     | 24      | D4     |
|                                    |        | PIO0_27 | no                   | 43     | 28      | -      |
|                                    |        | PIO1_7  | no                   | 25     | -       | -      |
| CT32B1_MAT2                        | O      | PIO0_10 | no                   | 38     | 25      | D3     |
|                                    |        | PIO0_22 | no                   | 27     | 17      | -      |
|                                    |        | PIO1_9  | no                   | 12     | -       | -      |
| CT32B1_MAT3                        | O      | PIO0_11 | no                   | 39     | 26      | D2     |
|                                    |        | PIO1_1  | no                   | 36     | -       | -      |
|                                    |        | PIO1_0  | no                   | 31     | -       | -      |
| <b>Supply and ground pins</b>      |        |         |                      |        |         |        |
| V <sub>DD(I/O)</sub>               | Supply | -       | -                    | 8      | 6       | E2     |

**Table 3. Pin multiplexing**

| Function             | Type   |      |               | LQFP48 | HVQFN33 | WCSP20 |
|----------------------|--------|------|---------------|--------|---------|--------|
|                      |        | Port | Glitch filter | Pin    | Pin     | Ball   |
| V <sub>DD(3V3)</sub> | Supply | -    | -             | 44     | 29      | E2     |
| V <sub>SS</sub>      | Ground | -    | -             | 42     | 33      | E3     |
| V <sub>SS(IO)</sub>  | Ground | -    | -             | 5      | 33      | E3     |

[1] Always on.

[2] Programmable on/off. By default, the glitch filter is disabled.

Table 4 shows all pins in order of their port number. The default function after reset is listed first. All port pins PIO0\_0 to PIO1\_9 have internal pull-up resistors enabled after reset with the exception of the true open-drain pins PIO0\_2 and PIO0\_3.

Pull-up/pull-down configuration, repeater, and open-drain modes can be programmed through the IOCON registers for each of the port pins.

**Table 4. LPC11Axx pin description table**

| Symbol  | Pin/Ball |         |         | Type | Reset state | Description   |
|---|----------|---------|---------|------|-------------|---|
|   | LQFP48   | HVQFN33 | WLCSP20 |      |             |   |
| RESET/PIO0_0                                      | 3        | 2       | C1      | I    | I; PU       | <b>RESET</b> — External reset input with fixed 20 ns glitch filter: A LOW on this pin resets the device, causing I/O ports and peripherals to take on their default states and processor execution to begin at address 0.           |
|   |          |         |         | I/O  | -           | <b>PIO0_0</b> — General purpose digital input/output pin.   |
| PIO0_1/RXD/CLKOUT/<br>CT32B0_MAT2/SSEL0/<br>CLKIN | 4        | 3       | B2      | I/O  | I; PU       | <b>PIO0_1</b> — General purpose digital input/output pin. A LOW level on this pin during reset starts the ISP command handler.  |
|   |          |         |         | I    | -           | <b>RXD</b> — Receiver data input for USART.   |
|   |          |         |         | O    | -           | <b>CLKOUT</b> — Clock output.   |
|   |          |         |         | O    | -           | <b>CT32B0_MAT2</b> — Match output 2 for 32-bit timer 0.   |
|   |          |         |         | I/O  | -           | <b>SSEL0</b> — Slave Select for SSP0.   |
|   |          |         |         | I    | -           | <b>CLKIN</b> — External clock input.  |
| PIO0_2/SCL/ACMP_O/<br>TCK/SWCLK/<br>CT16B0_CAP0   | 15       | 10      | A1      | I/O  | I; IA       | <b>PIO0_2</b> — General purpose digital input/output pin. High-current sink (20 mA) or standard-current sink (4 mA) programmable; true open-drain for all pin functions. Input glitch filter (50 ns) capable.                       |
|   |          |         |         | I/O  | -           | <b>SCL</b> — I <sup>2</sup> C-bus clock (true open-drain) input/output. Input glitch filter (50 ns) capable.  |
|   |          |         |         | O    | -           | <b>ACMP_O</b> — Analog comparator output.   |
|   |          |         |         | I    | -           | <b>TCK/SWCLK</b> — Serial Wire Debug Clock (secondary for LQFP and HVQFN packages). Input glitch filter (50 ns) capable. For the WLCSP20 package only, this pin is configured to the SWCLK function by the boot loader after reset. |
|   |          |         |         | I    | -           | <b>CT16B0_CAP0</b> — Capture input 0 for 16-bit timer 0. Input glitch filter (50 ns) capable.   |

Table 4. LPC11Axx pin description table

| Symbol   | Pin/Ball |         |         | Type                   | Reset state<br><a href="#">[1]</a> | Description |   |
|--|----------|---------|---------|------------------------|------------------------------------|-------------|---|
|  | LQFP48   | HVQFN33 | WLCSP20 |                        |                                    |             |   |
| PIO0_3/SDA/ACMP_O/<br>SWDIO/CT16B1_CAP0              | 16       | 11      | B1      | <a href="#">[4][6]</a> | I/O                                | I; IA       | <b>PIO0_3</b> — General purpose digital input/output pin. High-current sink (20 mA) or standard-current sink (4 mA) programmable; true open-drain for all pin functions. Input glitch filter (50 ns) capable.                 |
|  |          |         |         |                        | I/O                                | -           | <b>SDA</b> — I <sup>2</sup> C-bus data (true open-drain) input/output. Input glitch filter (50 ns) capable.   |
|  |          |         |         |                        | O                                  | -           | <b>ACMP_O</b> — Analog comparator output.   |
|  |          |         |         |                        | I/O                                | -           | <b>SWDIO</b> — Serial Wire Debug I/O (secondary for LQFP and HVQFN packages). Input glitch filter (50 ns) capable. For the WLCSP20 package only, this pin is configured to the SWDIO function by the boot loader after reset. |
|  |          |         |         |                        | I                                  | -           | <b>CT16B1_CAP0</b> — Capture input 0 for 16-bit timer 1. Input glitch filter (50 ns) capable.   |
| PIO0_4/R/AOUT/<br>CT16B0_MAT1/MOSIO                  | 28       | 18      | A4      | <a href="#">[7]</a>    | I/O                                | I; PU       | <b>PIO0_4</b> — General purpose digital input/output pin. Input glitch filter (10 ns) capable.  |
|  |          |         |         |                        | -                                  | -           | <b>R</b> — Reserved.  |
|  |          |         |         |                        | O                                  | -           | <b>AOUT</b> — D/A converter output.   |
|  |          |         |         |                        | O                                  | -           | <b>CT16B0_MAT1</b> — Match output 1 for 16-bit timer 0.   |
|  |          |         |         |                        | I/O                                | -           | <b>MOSIO</b> — Master Out Slave In for SSP0. Input glitch filter (10 ns) capable.   |
| TCK/SWCLK/PIO0_5/<br>R/CT16B0_MAT2/<br>SCK0          | 29       | 19      | -       | <a href="#">[9]</a>    | I                                  | I; PU       | <b>TCK/SWCLK</b> — Test clock TCK for JTAG interface and primary (default) Serial Wire Debug Clock. Input glitch filter (10 ns) capable.  |
|  |          |         |         |                        | I/O                                | -           | <b>PIO0_5</b> — General purpose digital input/output pin. Input glitch filter (10 ns) capable.  |
|  |          |         |         |                        | -                                  | -           | <b>R</b> — Reserved.  |
|  |          |         |         |                        | O                                  | -           | <b>CT16B0_MAT2</b> — Match output 2 for 16-bit timer 0.   |
|  |          |         |         |                        | I/O                                | -           | <b>SCK0</b> — Serial clock for SSP0. Input glitch filter (10 ns) capable.   |
| TCK/SWCLK/PIO0_5/<br>VDDCMP/<br>CT16B0_MAT2/<br>SCK0 | -        | -       | B3      | <a href="#">[7][8]</a> | I                                  | I; PU       | <b>TCK/SWCLK</b> — Test clock TCK for JTAG interface and secondary Serial Wire Debug Clock. Use PIO0_2 for the default TCK/SWCLK function. Input glitch filter (10 ns) capable.   |
|  |          |         |         |                        | I/O                                | -           | <b>PIO0_5</b> — General purpose digital input/output pin. Input glitch filter (10 ns) capable.  |
|  |          |         |         |                        | I                                  | -           | <b>VDDCMP</b> — Analog comparator alternate reference voltage.  |
|  |          |         |         |                        | O                                  | -           | <b>CT16B0_MAT2</b> — Match output 2 for 16-bit timer 0.   |
|  |          |         |         |                        | I/O                                | -           | <b>SCK0</b> — Serial clock for SSP0. Input glitch filter (10 ns) capable.   |

Table 4. LPC11Axx pin description table

| Symbol   | Pin/Ball |  |                        | Type | Reset state<br><a href="#">[1]</a> | Description  |
|--|----------|--|------------------------|------|------------------------------------|--|
|  | LQFP48   | HVQFN33  | WLCSP20                |      |                                    |  |
| TDI/PIO0_6/AD0/<br>CT32B0_MAT3/MISO0                                     | 32       | 21   | C3 <a href="#">[9]</a> | I    | I; PU                              | <b>TDI</b> — Test Data In for JTAG interface. Input glitch filter (10 ns) capable.             |
|  |          |  |                        | I/O  | -                                  | <b>PIO0_6</b> — General purpose digital input/output pin. Input glitch filter (10 ns) capable. |
|  |          |  |                        | I    | -                                  | <b>AD0</b> — A/D converter input 0.  |
|  |          |  |                        | O    | -                                  | <b>CT32B0_MAT3</b> — Match output 3 for 32-bit timer 0.  |
|  |          |  |                        | I/O  | -                                  | <b>MISO0</b> — Master In Slave Out for SSP0. Input glitch filter (10 ns) capable.              |
| TMS/PIO0_7/AD1/<br>CT32B1_CAP0/<br>CT16B0_MAT0                           | 33       | 22   | C4 <a href="#">[9]</a> | I    | I; PU                              | <b>TMS</b> — Test Mode Select for JTAG interface. Input glitch filter (10 ns) capable.         |
|  |          |  |                        | I/O  | -                                  | <b>PIO0_7</b> — General purpose digital input/output pin. Input glitch filter (10 ns) capable. |
|  |          |  |                        | I    | -                                  | <b>AD1</b> — A/D converter input 1.  |
|  |          |  |                        | I    | -                                  | <b>CT32B1_CAP0</b> — Capture input 0 for 32-bit timer 1. Input glitch filter (10 ns) capable.  |
|  |          |  |                        | O    | -                                  | <b>CT16B0_MAT0</b> — Match output 2 for 16-bit timer 0.  |
| TDO/PIO0_8/AD2/<br>CT32B1_MAT0/SCK1                                      | 34       | 23   | C2 <a href="#">[9]</a> | O    | I; PU                              | <b>TDO</b> — Test Data Out for JTAG interface.   |
|  |          |  |                        | I/O  | -                                  | <b>PIO0_8</b> — General purpose digital input/output pin. Input glitch filter (10 ns) capable. |
|  |          |  |                        | I    | -                                  | <b>AD2</b> — A/D converter input 2.  |
|  |          |  |                        | O    | -                                  | <b>CT32B1_MAT0</b> — Match output 0 for 32-bit timer 1.  |
|  |          |  |                        | I/O  | -                                  | <b>SCK1</b> — Serial clock for SSP1. Input glitch filter (10 ns) capable.                      |
| $\overline{\text{TRST}}$ /PIO0_9/AD3/<br>CT32B1_MAT1/<br>CT16B0_MAT1/CTS | 35       | 24   | D4 <a href="#">[9]</a> | I    | I; PU                              | $\overline{\text{TRST}}$ — Test Reset for JTAG interface. Input glitch filter (10 ns) capable. |
|  |          |  |                        | I/O  | -                                  | <b>PIO0_9</b> — General purpose digital input/output pin. Input glitch filter (10 ns) capable. |
|  |          |  |                        | I    | -                                  | <b>AD3</b> — A/D converter, input 3.   |
|  |          |  |                        | O    | -                                  | <b>CT32B1_MAT1</b> — Match output 1 for 32-bit timer 1.  |
|  |          |  |                        | O    | -                                  | <b>CT16B0_MAT1</b> — Match output 1 for 16-bit timer 0.  |
| I  | -        | <b>CTS</b> — Clear To Send input for USART. Input glitch filter (10 ns) capable. |                        |      |                                    |  |

Table 4. LPC11Axx pin description table

| Symbol  | Pin/Ball |         |                        | Type | Reset state<br><a href="#">[1]</a> | Description   |
|---|----------|---------|------------------------|------|------------------------------------|---|
|   | LQFP48   | HVQFN33 | WLCSP20                |      |                                    |   |
| SWDIO/PIO0_10/AD4/<br>CT32B1_MAT2/<br>CT16B0_MAT2/RTS | 38       | 25      | D3 <a href="#">[9]</a> | I/O  | I; PU                              | <b>SWDIO</b> — Primary (default) Serial Wire Debug I/O for the LQFP48 and HVQFN33 packages. For the WLCSP20 package, use PIO0_3. Input glitch filter (10 ns) capable. |
|   |          |         |                        | I/O  | -                                  | <b>PIO0_10</b> — General purpose digital input/output pin. Input glitch filter (10 ns) capable.   |
|   |          |         |                        | I    | -                                  | <b>AD4</b> — A/D converter, input 4.  |
|   |          |         |                        | O    | -                                  | <b>CT32B1_MAT2</b> — Match output 2 for 32-bit timer 1.   |
|   |          |         |                        | O    | -                                  | <b>CT16B0_MAT2</b> — Match output 2 for 16-bit timer 0.   |
|   |          |         |                        | O    | -                                  | <b>RTS</b> — Request To Send output for USART.  |
| PIO0_11/SCLK/<br>AD5/CT32B1_MAT3/<br>CT32B0_CAP0      | 39       | 26      | D2 <a href="#">[9]</a> | I/O  | I; PU                              | <b>PIO0_11</b> — General purpose digital input/output pin. Input glitch filter (10 ns) capable.   |
|   |          |         |                        | I/O  | -                                  | <b>SCLK</b> — Serial clock for USART. Input glitch filter (10 ns) capable.  |
|   |          |         |                        | I    | -                                  | <b>AD5</b> — A/D converter, input 5.  |
|   |          |         |                        | O    | -                                  | <b>CT32B1_MAT3</b> — Match output 3 for 32-bit timer 1.   |
|   |          |         |                        | I    | -                                  | <b>CT32B0_CAP0</b> — Capture input 0 for 32-bit timer 0. Input glitch filter (10 ns) capable.   |
| PIO0_12/RXD/<br>ACMP_O/<br>CT32B0_MAT0/SCL/<br>CLKIN  | 46       | 31      | E1 <a href="#">[3]</a> | I/O  | I; PU                              | <b>PIO0_12</b> — General purpose digital input/output pin.  |
|   |          |         |                        | I    | -                                  | <b>RXD</b> — Receiver data input for USART. This pin is used for ISP communication.   |
|   |          |         |                        | O    | -                                  | <b>ACMP_O</b> — Analog comparator output.   |
|   |          |         |                        | O    | -                                  | <b>CT32B0_MAT0</b> — Match output 0 for 32-bit timer 0.   |
|   |          |         |                        | I/O  | -                                  | <b>SCL</b> — I <sup>2</sup> C-bus clock input/output. This is not an I <sup>2</sup> C-bus open-drain pin <a href="#">[10]</a> .                                       |
|   |          |         |                        | I    | -                                  | <b>CLKIN</b> — External clock input.  |
| PIO0_13/TXD/<br>ACMP_I2/<br>CT32B0_MAT1/SDA           | 47       | 32      | D1 <a href="#">[9]</a> | I/O  | I; PU                              | <b>PIO0_13</b> — General purpose digital input/output pin. Input glitch filter (10 ns) capable.   |
|   |          |         |                        | O    | -                                  | <b>TXD</b> — Transmitter data output for USART. This pin is used for ISP communication.   |
|   |          |         |                        | I    | -                                  | <b>ACMP_I2</b> — Analog comparator input 2.   |
|   |          |         |                        | O    | -                                  | <b>CT32B0_MAT1</b> — Match output 1 for 32-bit timer 0.   |
|   |          |         |                        | I/O  | -                                  | <b>SDA</b> — I <sup>2</sup> C-bus data input/output. This is not an I <sup>2</sup> C-bus open-drain pin <a href="#">[10]</a> . Input glitch filter (10 ns) capable.   |



Table 4. LPC11Axx pin description table

| Symbol   | Pin/Ball |         |         | Type                | Reset state<br><a href="#">[1]</a> | Description |   |
|--|----------|---------|---------|---------------------|------------------------------------|-------------|---|
|  | LQFP48   | HVQFN33 | WLCSP20 |                     |                                    |             |   |
| PIO0_14/MISO1/AD6/<br>CT32B0_CAP1/<br>CT16B1_MAT1/<br>VDDCMP | 30       | 20      | -       | <a href="#">[7]</a> | I/O                                | I; PU       | <b>PIO0_14</b> — General purpose digital input/output pin. Input glitch filter (10 ns) capable.   |
|  |          |         |         |                     | I/O                                | -           | <b>MISO1</b> — Master In Slave Out for SSP1. Input glitch filter (10 ns) capable.   |
|  |          |         |         |                     | I                                  | -           | <b>AD6</b> — A/D converter, input 6.  |
|  |          |         |         |                     | I                                  | -           | <b>CT32B0_CAP1</b> — Capture input 1 for 32-bit timer 0. Input glitch filter (10 ns) capable.   |
|  |          |         |         |                     | O                                  | -           | <b>CT16B1_MAT1</b> — Match output 1 for 16-bit timer 1.   |
|  |          |         |         |                     | I                                  | -           | <b>VDDCMP</b> — Analog comparator alternate reference voltage.  |
| PIO0_14/MISO1/AD6/<br>CT32B0_CAP1/<br>CT16B1_MAT1            | -        | -       | B4      | <a href="#">[9]</a> | I/O                                | I; PU       | <b>PIO0_14</b> — General purpose digital input/output pin. Input glitch filter (10 ns) capable.   |
|  |          |         |         |                     | I/O                                | -           | <b>MISO1</b> — Master In Slave Out for SSP1. Input glitch filter (10 ns) capable.   |
|  |          |         |         |                     | I                                  | -           | <b>AD6</b> — A/D converter, input 6.  |
|  |          |         |         |                     | I                                  | -           | <b>CT32B0_CAP1</b> — Capture input 1 for 32-bit timer 0. Input glitch filter (10 ns) capable.   |
|  |          |         |         |                     | O                                  | -           | <b>CT16B1_MAT1</b> — Match output 1 for 16-bit timer 1.   |
|  |          |         |         |                     | I/O                                | -           | <b>VDDCMP</b> — Analog comparator alternate reference voltage.  |
| PIO0_15/TXD/AD7/<br>CT32B0_CAP2/SDA                          | 41       | 27      | E4      | <a href="#">[9]</a> | I/O                                | I; PU       | <b>PIO0_15</b> — General purpose digital input/output pin. Input glitch filter (10 ns) capable.   |
|  |          |         |         |                     | O                                  | -           | <b>TXD</b> — Transmitter data output for USART.   |
|  |          |         |         |                     | I                                  | -           | <b>AD7</b> — A/D converter, input 7.  |
|  |          |         |         |                     | I                                  | -           | <b>CT32B0_CAP2</b> — Capture input 2 for 32-bit timer 0. Input glitch filter (10 ns) capable.   |
|  |          |         |         |                     | I/O                                | -           | <b>SDA</b> — I <sup>2</sup> C-bus data input/output. This is not an I <sup>2</sup> C-bus open-drain pin <sup>[10]</sup> . Input glitch filter (10 ns) capable.  |
|  |          |         |         |                     | I/O                                | -           | <b>VDDCMP</b> — Analog comparator alternate reference voltage.  |
| PIO0_16/<br>ATRG0/ACMP_I3/<br>CT16B0_CAP1/SCL                | 18       | 13      | A2      | <a href="#">[9]</a> | I/O                                | I; PU       | <b>PIO0_16</b> — General purpose digital input/output pin. Input glitch filter (10 ns) capable.   |
|  |          |         |         |                     | I                                  | -           | <b>ATRG0</b> — Conversion trigger 0 for ADC or DAC. Input glitch filter (10 ns) capable.  |
|  |          |         |         |                     | I                                  | -           | <b>ACMP_I3</b> — Analog comparator input 3.   |
|  |          |         |         |                     | I                                  | -           | <b>CT16B0_CAP1</b> — Capture input 1 for 16-bit timer 0. Input glitch filter (10 ns) capable.   |
|  |          |         |         |                     | I/O                                | -           | <b>SCL</b> — I <sup>2</sup> C-bus clock input/output. This is not an I <sup>2</sup> C-bus open-drain pin <sup>[10]</sup> . Input glitch filter (10 ns) capable. |
|  |          |         |         |                     | I/O                                | -           | <b>VDDCMP</b> — Analog comparator alternate reference voltage.  |

Table 4. LPC11Axx pin description table

| Symbol   | Pin/Ball |         |                        | Type | Reset state<br><a href="#">[1]</a> | Description  |
|--|----------|---------|------------------------|------|------------------------------------|--|
|  | LQFP48   | HVQFN33 | WLCSP20                |      |                                    |  |
| PIO0_17/<br>ATR $\overline{G}$ 1/ACMP_I4/<br>CT16B0_CAP2/<br>CT16B0_MAT0 | 21       | 14      | A3 <a href="#">[9]</a> | I/O  | I; PU                              | <b>PIO0_17</b> — General purpose digital input/output pin. Input glitch filter (10 ns) capable.  |
|  |          |         |                        | I    | -                                  | <b>ATR<math>\overline{G}</math>1</b> — Conversion trigger 1 for ADC or DAC. Input glitch filter (10 ns) capable.                             |
|  |          |         |                        | I    | -                                  | <b>ACMP_I4</b> — Analog comparator input 4.  |
|  |          |         |                        | I    | -                                  | <b>CT16B0_CAP2</b> — Capture input 2 for 16-bit timer 0. Input glitch filter (10 ns) capable.  |
|  |          |         |                        | O    | -                                  | <b>CT16B0_MAT0</b> — Match output 0 for 16-bit timer 0.  |
| PIO0_18/R/SSEL0/<br>CT16B0_CAP0/<br>CT16B1_CAP1                          | 10       | 8       | - <a href="#">[3]</a>  | I/O  | I; PU                              | <b>PIO0_18</b> — General purpose digital input/output pin.   |
|  |          |         |                        | -    | -                                  | <b>R</b> — Reserved.   |
|  |          |         |                        | I/O  | -                                  | <b>SSEL0</b> — Slave Select for SSP0.  |
|  |          |         |                        | I    | -                                  | <b>CT16B0_CAP0</b> — Capture input 0 for 16-bit timer 0.   |
|  |          |         |                        | I    | -                                  | <b>CT16B1_CAP1</b> — Capture input 1 for 16-bit timer 1.   |
| PIO0_19/CLKIN/<br>CLKOUT/<br>MOSI0/CT16B1_MAT0                           | 14       | 9       | - <a href="#">[3]</a>  | I/O  | I; PU                              | <b>PIO0_19</b> — General purpose digital input/output pin.   |
|  |          |         |                        | I    | -                                  | <b>CLKIN</b> — External clock input.   |
|  |          |         |                        | O    | -                                  | <b>CLKOUT</b> — Clock output.  |
|  |          |         |                        | I/O  | -                                  | <b>MOSI0</b> — Master Out Slave In for SSP0.   |
|  |          |         |                        | O    | -                                  | <b>CT16B1_MAT0</b> — Match output 0 for 16-bit timer 1.  |
| PIO0_20/R/SCK0/<br>CT32B1_CAP0/<br>CT16B1_MAT2                           | 22       | 15      | - <a href="#">[3]</a>  | I/O  | I; PU                              | <b>PIO0_20</b> — General purpose digital input/output pin.   |
|  |          |         |                        | -    | -                                  | <b>R</b> — Reserved.   |
|  |          |         |                        | I/O  | -                                  | <b>SCK0</b> — Serial clock for SSP0.   |
|  |          |         |                        | I    | -                                  | <b>CT32B1_CAP0</b> — Capture input 0 for 32-bit timer 1.   |
|  |          |         |                        | O    | -                                  | <b>CT16B1_MAT2</b> — Match output 2 for 16-bit timer 1.  |
| PIO0_21/ $\overline{CTS}$ /<br>ACMP_O/<br>CT32B1_CAP1/SCLK               | 23       | 16      | - <a href="#">[3]</a>  | I/O  | I; PU                              | <b>PIO0_21</b> — General purpose digital input/output pin. If configured as output, this pin is a high-current source output driver (20 mA). |
|  |          |         |                        | I    | -                                  | <b><math>\overline{CTS}</math></b> — Clear To Send input for USART.  |
|  |          |         |                        | O    | -                                  | <b>ACMP_O</b> — Analog comparator output.  |
|  |          |         |                        | I    | -                                  | <b>CT32B1_CAP1</b> — Capture input 1 for 32-bit timer 1.   |
|  |          |         |                        | I/O  | -                                  | <b>SCLK</b> — Serial clock for USART.  |
| PIO0_22/MISO0/<br>ACMP_I5/<br>CT32B1_MAT2/<br>CT32B1_CAP2                | 27       | 17      | - <a href="#">[9]</a>  | I/O  | I; PU                              | <b>PIO0_22</b> — General purpose digital input/output pin. Input glitch filter (10 ns) capable.  |
|  |          |         |                        | I/O  | -                                  | <b>MISO0</b> — Master In Slave Out for SSP0. Input glitch filter (10 ns) capable.  |
|  |          |         |                        | I    | -                                  | <b>ACMP_I5</b> — Analog comparator input 5.  |
|  |          |         |                        | O    | -                                  | <b>CT32B1_MAT2</b> — Match output 2 for 32-bit timer 1.  |
|  |          |         |                        | I    | -                                  | <b>CT32B1_CAP2</b> — Capture input 2 for 32-bit timer 1. Input glitch filter (10 ns) capable.  |

Table 4. LPC11Axx pin description table

| Symbol  | Pin/Ball |         |         | Type                | Reset state<br><a href="#">[1]</a> | Description   |
|---|----------|---------|---------|---------------------|------------------------------------|---|
|   | LQFP48   | HVQFN33 | WLCSP20 |                     |                                    |   |
| PIO0_23/ $\overline{\text{RTS}}$ /<br>ACMP_O/<br>CT32B0_CAP0/SCLK | 45       | 30      | -       | <a href="#">[3]</a> | I/O                                | I; PU <b>PIO0_23</b> — General purpose digital input/output pin.  |
|   |          |         |         |                     | O                                  | - <b>RTS</b> — Request To Send output for USART.  |
|   |          |         |         |                     | O                                  | - <b>ACMP_O</b> — Analog comparator output.   |
|   |          |         |         |                     | I                                  | - <b>CT32B0_CAP0</b> — Capture input 0 for 32-bit timer 0.  |
|   |          |         |         |                     | I/O                                | - <b>SCLK</b> — Serial clock for USART.   |
| PIO0_24/SCL/CLKIN/<br>CT16B1_CAP0                                 | 9        | 7       | -       | <a href="#">[3]</a> | I/O                                | I; PU <b>PIO0_24</b> — General purpose digital input/output pin.  |
|   |          |         |         |                     | I/O                                | - <b>SCL</b> — I <sup>2</sup> C-bus clock input/output. This is not an I <sup>2</sup> C-bus open-drain pin <a href="#">[10]</a> . |
|   |          |         |         |                     | I                                  | - <b>CLKIN</b> — External clock input.  |
|   |          |         |         |                     | I                                  | - <b>CT16B1_CAP0</b> — Capture input 0 for 16-bit timer 1.  |
| PIO0_25/SDA/SSEL1/<br>CT16B1_MAT0                                 | 17       | 12      | -       | <a href="#">[3]</a> | I/O                                | I; PU <b>PIO0_25</b> — General purpose digital input/output pin.  |
|   |          |         |         |                     | I/O                                | - <b>SDA</b> — I <sup>2</sup> C-bus data input/output. This is not an I <sup>2</sup> C-bus open-drain pin <a href="#">[10]</a> .  |
|   |          |         |         |                     | I/O                                | - <b>SSEL1</b> — Slave Select for SSP1.   |
|   |          |         |         |                     | O                                  | - <b>CT16B1_MAT0</b> — Match output 0 for 16-bit timer 1.   |
| PIO0_26/TXD/MISO1/<br>CT16B1_CAP1/<br>CT32B0_CAP2                 | 1        | 1       | -       | <a href="#">[3]</a> | I/O                                | I; PU <b>PIO0_26</b> — General purpose digital input/output pin.  |
|   |          |         |         |                     | O                                  | - <b>TXD</b> — Transmitter data output for USART.   |
|   |          |         |         |                     | I/O                                | - <b>MISO1</b> — Master In Slave Out for SSP1.  |
|   |          |         |         |                     | I                                  | - <b>CT16B1_CAP1</b> — Capture input 1 for 16-bit timer 1.  |
|   |          |         |         |                     | I                                  | - <b>CT32B0_CAP2</b> — Capture input 2 for 32-bit timer 0.  |
| PIO0_27/MOSI1/<br>ACMP_I1/<br>CT32B1_MAT1/<br>CT16B1_CAP2         | 43       | 28      | -       | <a href="#">[9]</a> | I/O                                | I; PU <b>PIO0_27</b> — General purpose digital input/output pin. Input glitch filter (10 ns) capable.                             |
|   |          |         |         |                     | I/O                                | - <b>MOSI1</b> — Master Out Slave In for SSP1. Input glitch filter (10 ns) capable.   |
|   |          |         |         |                     | I                                  | - <b>ACMP_I1</b> — Analog comparator input 1.   |
|   |          |         |         |                     | O                                  | - <b>CT32B1_MAT1</b> — Match output 1 for 32-bit timer 1.   |
|   |          |         |         |                     | I                                  | - <b>CT16B1_CAP2</b> — Capture input 2 for 16-bit timer 1. Input glitch filter (10 ns) capable.                                   |
| PIO0_28/ $\overline{\text{DTR}}$ /SSEL1/<br>CT32B0_CAP0           | 2        | -       | -       | <a href="#">[3]</a> | I/O                                | I; PU <b>PIO0_28</b> — General purpose digital input/output pin.  |
|   |          |         |         |                     | O                                  | - <b>DTR</b> — Data Terminal Ready output for USART.  |
|   |          |         |         |                     | I/O                                | - <b>SSEL1</b> — Slave Select for SSP1.   |
|   |          |         |         |                     | I                                  | - <b>CT32B0_CAP0</b> — Capture input 0 for 32-bit timer 0.  |
| PIO0_29/ $\overline{\text{DSR}}$ /SCK1/<br>CT32B0_CAP1            | 13       | -       | -       | <a href="#">[3]</a> | I/O                                | I; PU <b>PIO0_29</b> — General purpose digital input/output pin.  |
|   |          |         |         |                     | I                                  | - <b>DSR</b> — Data Set Ready input for USART.  |
|   |          |         |         |                     | I/O                                | - <b>SCK1</b> — Serial clock for SSP1.  |
|   |          |         |         |                     | I                                  | - <b>CT32B0_CAP1</b> — Capture input 1 for 32-bit timer 0.  |

Table 4. LPC11Axx pin description table

| Symbol   | Pin/Ball |         |         | Type                | Reset state<br><a href="#">[1]</a> | Description  |  |
|--|----------|---------|---------|---------------------|------------------------------------|--|--|
|  | LQFP48   | HVQFN33 | WLCSP20 |                     |                                    |  |  |
| PIO0_30/ $\overline{RI}$ /MOSI1/<br>CT32B0_MAT0/<br>CT16B0_CAP0  | 40       | -       | -       | <a href="#">[3]</a> | I/O                                | I; PU  | <b>PIO0_30</b> — General purpose digital input/output pin. |
|  |          |         |         |                     | I                                  | -  | $\overline{RI}$ — Ring Indicator input for USART.          |
|  |          |         |         |                     | I/O                                | -  | <b>MOSI1</b> — Master Out Slave In for SSP1.               |
|  |          |         |         |                     | O                                  | -  | <b>CT32B0_MAT0</b> — Match output 0 for 32-bit timer 0.    |
|  |          |         |         |                     | I                                  | -  | <b>CT16B0_CAP0</b> — Capture input 0 for 16-bit timer 0.   |
| PIO0_31/ $\overline{RI}$ /MOSI1/<br>CT32B1_MAT0/<br>CT16B1_CAP1  | 24       | -       | -       | <a href="#">[3]</a> | I/O                                | I; PU  | <b>PIO0_31</b> — General purpose digital input/output pin. |
|  |          |         |         |                     | I                                  | -  | $\overline{RI}$ — Ring Indicator input for USART.          |
|  |          |         |         |                     | I/O                                | -  | <b>MOSI1</b> — Master Out Slave In for SSP1.               |
|  |          |         |         |                     | O                                  | -  | <b>CT32B1_MAT0</b> — Match output 0 for 32-bit timer 1.    |
|  |          |         |         |                     | I                                  | -  | <b>CT16B1_CAP1</b> — Capture input 1 for 16-bit timer 1.   |
| PIO1_0/ $\overline{DCD}$ /SCK0/<br>CT32B1_MAT3/<br>CT16B0_MAT1   | 31       | -       | -       | <a href="#">[3]</a> | I/O                                | I; PU  | <b>PIO1_0</b> — General purpose digital input/output pin.  |
|  |          |         |         |                     | I                                  | -  | $\overline{DCD}$ — Data Carrier Detect input for USART.    |
|  |          |         |         |                     | I/O                                | -  | <b>SCK0</b> — Serial clock for SSP0.                       |
|  |          |         |         |                     | O                                  | -  | <b>CT32B1_MAT3</b> — Match output 3 for 32-bit timer 1.    |
|  |          |         |         |                     | O                                  | -  | <b>CT16B0_MAT1</b> — Match output 1 for 16-bit timer 0.    |
| PIO1_1/ $\overline{DTR}$ /SSEL0/<br>CT32B1_MAT3/<br>CT16B1_MAT0  | 36       | -       | -       | <a href="#">[3]</a> | I/O                                | I; PU  | <b>PIO1_1</b> — General purpose digital input/output pin.  |
|  |          |         |         |                     | O                                  | -  | $\overline{DTR}$ — Data Terminal Ready output for USART.   |
|  |          |         |         |                     | I/O                                | -  | <b>SSEL0</b> — Slave Select for SSP0.                      |
|  |          |         |         |                     | O                                  | -  | <b>CT32B1_MAT3</b> — Match output 3 for 32-bit timer 1.    |
|  |          |         |         |                     | O                                  | -  | <b>CT16B1_MAT0</b> — Match output 0 for 16-bit timer 1.    |
| PIO1_2/ $\overline{DSR}$ /MISO0/<br>CT16B1_MAT2/<br>CT16B1_MAT1  | 37       | -       | -       | <a href="#">[3]</a> | I/O                                | I; PU  | <b>PIO1_2</b> — General purpose digital input/output pin.  |
|  |          |         |         |                     | I                                  | -  | $\overline{DSR}$ — Data Set Ready input for USART.         |
|  |          |         |         |                     | I/O                                | -  | <b>MISO0</b> — Master In Slave Out for SSP0.               |
|  |          |         |         |                     | O                                  | -  | <b>CT16B1_MAT2</b> — Match output 2 for 16-bit timer 1.    |
|  |          |         |         |                     | O                                  | -  | <b>CT16B1_MAT1</b> — Match output 1 for 16-bit timer 1.    |
| PIO1_3/ $\overline{RI}$ /MOSI0/<br>CT16B1_CAP0                   | 48       | -       | -       | <a href="#">[3]</a> | I/O                                | I; PU  | <b>PIO1_3</b> — General purpose digital input/output pin.  |
|  |          |         |         |                     | I                                  | -  | $\overline{RI}$ — Ring Indicator input for USART.          |
|  |          |         |         |                     | I/O                                | -  | <b>MOSI0</b> — Master Out Slave In for SSP0.               |
|  |          |         |         |                     | I                                  | -  | <b>CT16B1_CAP0</b> — Capture input 0 for 16-bit timer 1.   |
|  |          |         |         |                     |                                    |  |  |
| PIO1_4/RXD/SSEL1/<br>CT32B0_MAT1/<br>CT32B1_CAP0/<br>CT16B0_CAP1 | 19       | -       | -       | <a href="#">[3]</a> | I/O                                | I; PU  | <b>PIO1_4</b> — General purpose digital input/output pin.  |
|  |          |         |         |                     | I                                  | -  | <b>RXD</b> — Receiver data input for USART.                |
|  |          |         |         |                     | I/O                                | -  | <b>SSEL1</b> — Slave Select for SSP1.                      |
|  |          |         |         |                     | O                                  | -  | <b>CT32B0_MAT1</b> — Match output 1 for 32-bit timer 0.    |
|  |          |         |         |                     | I                                  | -  | <b>CT32B1_CAP0</b> — Capture input 0 for 32-bit timer 1.   |
|  |          |         |         |                     |                                    |  |  |
|  |          |         |         |                     |                                    | <b>CT16B0_CAP1</b> — Capture input 1 for 16-bit timer 0. |  |

Table 4. LPC11Axx pin description table

| Symbol   | Pin/Ball |         |         | Type   | Reset state<br><a href="#">[1]</a> | Description |   |
|--|----------|---------|---------|--|------------------------------------|-------------|---|
|  | LQFP48   | HVQFN33 | WLCSP20 |  |                                    |             |   |
| PIO1_5/TXD/SCK1/<br>CT32B0_MAT2/<br>CT32B1_CAP1/<br>CT16B0_CAP2  | 20       | -       | -       | <a href="#">[3]</a>                          | I/O                                | I; PU       | <b>PIO1_5</b> — General purpose digital input/output pin.   |
|  |          |         |         |  | O                                  | -           | <b>TXD</b> — Transmitter data output for USART.   |
|  |          |         |         |  | I/O                                | -           | <b>SCK1</b> — Serial clock for SSP1.  |
|  |          |         |         |  | O                                  | -           | <b>CT32B0_MAT2</b> — Match output 2 for 32-bit timer 0.   |
|  |          |         |         |  | I                                  | -           | <b>CT32B1_CAP1</b> — Capture input 1 for 32-bit timer 1.  |
|  |          |         |         |  | I                                  | -           | <b>CT16B0_CAP2</b> — Capture input 2 for 16-bit timer 0.  |
| PIO1_6/RTS/MOSI1/<br>CT32B0_MAT3/<br>CT32B1_CAP2/<br>CT16B0_MAT0 | 11       | -       | -       | <a href="#">[3]</a>                          | I/O                                | I; PU       | <b>PIO1_6</b> — General purpose digital input/output pin.   |
|  |          |         |         |  | O                                  | -           | <b>RTS</b> — Request To Send output for USART.  |
|  |          |         |         |  | I/O                                | -           | <b>MOSI1</b> — Master Out Slave In for SSP1.  |
|  |          |         |         |  | O                                  | -           | <b>CT32B0_MAT3</b> — Match output 3 for 32-bit timer 0.   |
|  |          |         |         |  | I                                  | -           | <b>CT32B1_CAP2</b> — Capture input 2 for 32-bit timer 1.  |
|  |          |         |         |  | O                                  | -           | <b>CT16B0_MAT0</b> — Match output 0 for 16-bit timer 0.   |
| PIO1_7/CTS/MOSI0/<br>CT32B1_MAT1/<br>CT16B0_MAT2/<br>CT16B1_CAP2 | 25       | -       | -       | <a href="#">[3]</a>                          | I/O                                | I; PU       | <b>PIO1_7</b> — General purpose digital input/output pin.   |
|  |          |         |         |  | I                                  | -           | <b>CTS</b> — Clear To Send input for USART.   |
|  |          |         |         |  | I/O                                | -           | <b>MOSI0</b> — Master Out Slave In for SSP0.  |
|  |          |         |         |  | O                                  | -           | <b>CT32B1_MAT1</b> — Match output 1 for 32-bit timer 1.   |
|  |          |         |         |  | O                                  | -           | <b>CT16B0_MAT2</b> — Match output 2 for 16-bit timer 0.   |
|  |          |         |         |  | I                                  | -           | <b>CT16B1_CAP2</b> — Capture input 2 for 16-bit timer 1.  |
| PIO1_8/RXD / MISO1/<br>CT32B1_MAT0/<br>CT16B1_MAT1               | 26       | -       | -       | <a href="#">[3]</a>                          | I/O                                | I; PU       | <b>PIO1_8</b> — General purpose digital input/output pin.   |
|  |          |         |         |  | I                                  | -           | <b>RXD</b> — Receiver data input for USART.   |
|  |          |         |         |  | I/O                                | -           | <b>MISO1</b> — Master In Slave Out for SSP1.  |
|  |          |         |         |  | O                                  | -           | <b>CT32B1_MAT0</b> — Match output 0 for 32-bit timer 1.   |
|  |          |         |         |  | O                                  | -           | <b>CT16B1_MAT1</b> — Match output 1 for 16-bit timer 1.   |
|  |          |         |         |  |                                    |             |   |
| PIO1_9/DCD/R/<br>CT32B1_MAT2 /<br>CT16B1_MAT2                    | 12       | -       | -       | <a href="#">[3]</a>                          | I/O                                | I; PU       | <b>PIO1_9</b> — General purpose digital input/output pin.   |
|  |          |         |         |  | I                                  | -           | <b>DCD</b> — Data Carrier Detect input for USART.   |
|  |          |         |         |  | -                                  | -           | <b>R</b> — Reserved.  |
|  |          |         |         |  | O                                  | -           | <b>CT32B1_MAT2</b> — Match output 2 for 32-bit timer 1.   |
|  |          |         |         |  | O                                  | -           | <b>CT16B1_MAT2</b> — Match output 2 for 16-bit timer 1.   |
|  |          |         |         |  |                                    |             |   |
| XTALIN   | 6        | 4       | -       | <a href="#">[11]</a>                         | -                                  | -           | Input to the oscillator circuit and internal clock generator circuits. Input voltage must not exceed 1.8 V. |
| XTALOUT  | 7        | 5       | -       | <a href="#">[11]</a>                         | -                                  | -           | Output from the oscillator amplifier.   |
| V <sub>DD(I/O)</sub>   | 8        | 6       | E2      | <a href="#">[12]</a><br><a href="#">[13]</a> | -                                  | -           | 3.3 V input/output supply voltage.  |

Table 4. LPC11Axx pin description table

| Symbol        | Pin/Ball |         |         | Type         | Reset state | Description |   |
|---------------|----------|---------|---------|--------------|-------------|-------------|---|
|               | LQFP48   | HVQFN33 | WLCSP20 |              |             |             |   |
| $V_{SS(I/O)}$ | 5        | 33      | E3      | [14]         | -           | -           | Ground.   |
| $V_{DD(3V3)}$ | 44       | 29      | E2      | [12]<br>[13] | -           | -           | 3.3 V supply voltage to the analog blocks, internal regulator, and internal clock generator circuits. Also used as the ADC reference voltage. |
| $V_{SS}$      | 42       | 33      | E3      | [14]         | -           | -           | Ground.   |

- [1] Pin state at reset for default function: I = Input; O = Output; PU = internal pull-up enabled; IA = inactive, no pull-up/down enabled.
- [2] See [Figure 32](#) for the reset configuration.
- [3] 5 V tolerant pin providing standard digital I/O functions with configurable modes and configurable hysteresis ([Figure 31](#)).
- [4] I<sup>2</sup>C-bus pins compliant with the I<sup>2</sup>C-bus specification for I<sup>2</sup>C standard mode, I<sup>2</sup>C Fast-mode, and I<sup>2</sup>C Fast-mode Plus.
- [5] For the SWD function, a pull-up resistor is recommended for the SWCLK pin (WLCSP20 parts only).
- [6] For the SWD function, a pull-up resistor is recommended for the SWDIO pin (WLCSP20 parts only).
- [7] Not a 5 V tolerant pin due to special analog functionality. Pin provides standard digital I/O functions with configurable modes, configurable hysteresis, and analog I/O. When configured as an analog I/O, the digital section of the pin is disabled ([Figure 31](#)).
- [8] If this pin is configured for its VDDCMP function, it cannot be used for SWCLK when the part is on the board. The bypass filter of the power supply filters out the SWCLK clock input signal.
- [9] 5 V tolerant pin providing standard digital I/O functions with configurable modes, configurable hysteresis, and analog I/O. When configured as an analog I/O, digital section of the pin is disabled, and the pin is not 5 V tolerant ([Figure 31](#)).
- [10] I<sup>2</sup>C-bus pins are standard digital I/O pins and have limited performance and electrical characteristics compared to the full I<sup>2</sup>C-bus specification. Pins can be configured with an on-chip pull-up resistor (pMOS device) and with open-drain mode. In this mode, typical bit rates of up to 100 kbit/s with 20 pF load are supported if the internal pull-ups are enabled. Higher bit rates can be achieved with an external resistor.
- [11] When the system oscillator is not used, connect XTALIN and XTALOUT as follows: XTALIN can be left floating or can be grounded (grounding is preferred to reduce susceptibility to noise). XTALOUT should be left floating. See [Section 12.3](#) if an external clock is connected to the XTALIN pin.
- [12] If separate supplies are used for  $V_{DD(3V3)}$  and  $V_{DD(I/O)}$ , ensure that the power supply pins are filtered for noise with respect to their corresponding grounds  $V_{SS}$  and  $V_{SS(I/O)}$  (LQFP48 package). Using separate filtered supplies reduces the noise to the analog blocks (see also [Section 12.1](#)).
- [13] If separate supplies are used for  $V_{DD(3V3)}$  and  $V_{DD(I/O)}$ , ensure that the voltage difference between both supplies is smaller than or equal to 0.5 V.
- [14] Thermal pad (HVQFN33 pin package). Connect to ground.

## 7. Functional description

### 7.1 ARM Cortex-M0 processor

The ARM Cortex-M0 is a general purpose, 32-bit microprocessor, which offers high performance and very low power consumption.

### 7.2 On-chip flash program memory

The LPC11Axx contain up to 32 kB of on-chip flash program memory.

### 7.3 On-chip EEPROM data memory

The LPC11Axx contain up to 4 kB of on-chip EEPROM data memory.

**Remark:** The top 64 bytes of the 4 kB EEPROM memory are reserved and cannot be written to. The entire EEPROM is writable for smaller EEPROM sizes.

### 7.4 On-chip SRAM

The LPC11Axx contain a total of 8 kB, 4 kB, or 2 kB on-chip static RAM data memory.

### 7.5 On-chip ROM

The on-chip ROM contains the boot loader and the following Application Programming Interfaces (API):

- In-System Programming (ISP) and In-Application Programming (IAP) support for flash programming
- Power profiles for configuring power consumption and PLL settings
- 32-bit integer division routines
- I<sup>2</sup>C-bus driver routines

### 7.6 Memory map

The LPC11Axx incorporates several distinct memory regions, shown in the following figures. [Figure 5](#) shows the overall map of the entire address space from the user program viewpoint following reset. The interrupt vector area supports address remapping.

The AHB peripheral area is 2 MB in size, and is divided to allow for up to 128 peripherals. The APB peripheral area is 512 kB in size and is divided to allow for up to 32 peripherals. Each peripheral of either type is allocated 16 kB of space. This allows simplifying the address decoding for each peripheral.

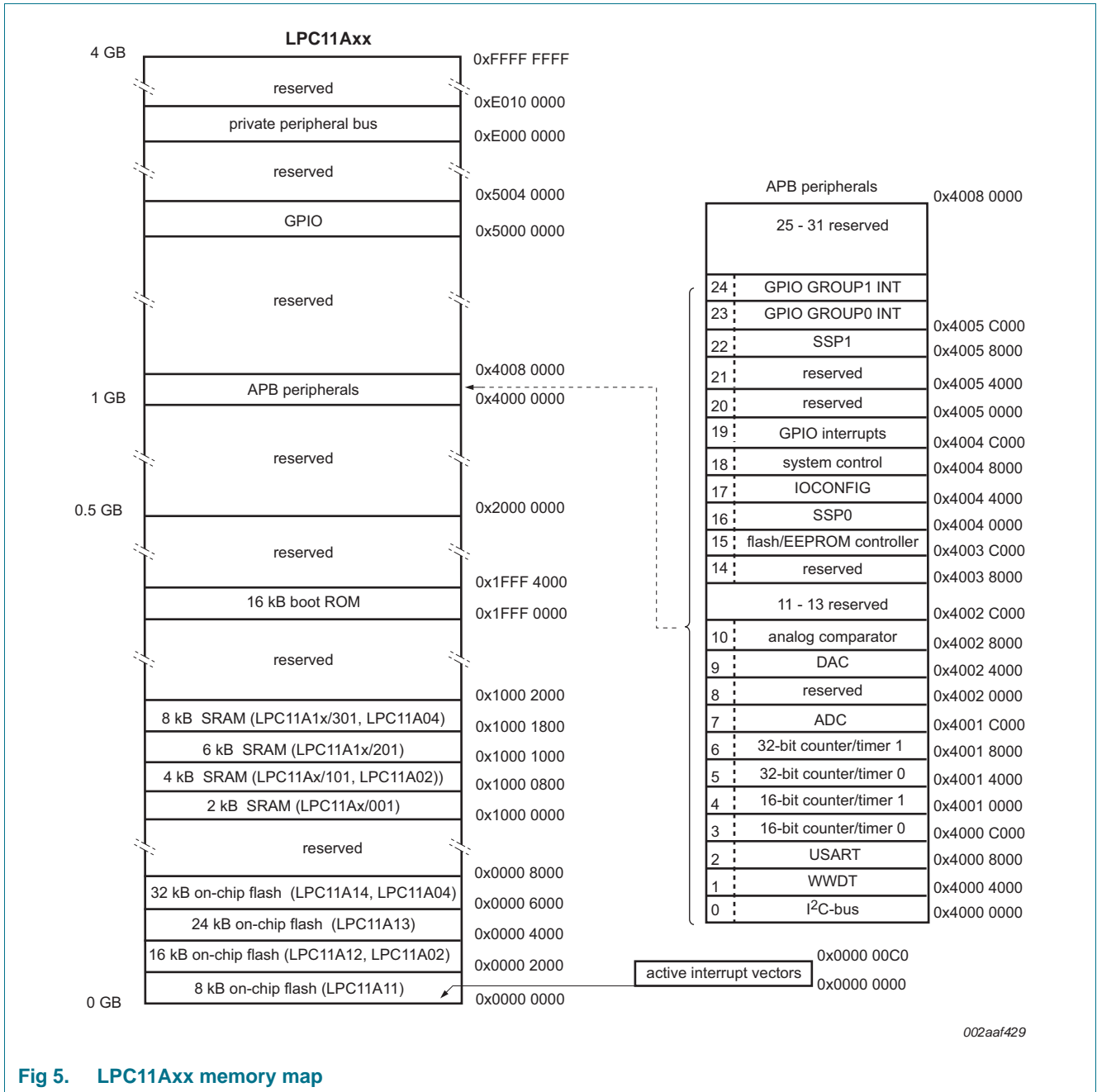


Fig 5. LPC11Axx memory map

## 7.7 Nested Vectored Interrupt Controller (NVIC)

The Nested Vectored Interrupt Controller (NVIC) is an integral part of the Cortex-M0. The tight coupling to the CPU allows for low interrupt latency and efficient processing of late arriving interrupts.

### 7.7.1 Features

- Controls system exceptions and peripheral interrupts.
- In the LPC11Axx, the NVIC supports 32 vectored interrupts including up to 8 inputs to the start logic from the individual GPIO pins.



- Four programmable interrupt priority levels with hardware priority level masking.
- Software interrupt generation.

### 7.7.2 Interrupt sources

Each peripheral device has one interrupt line connected to the NVIC but may have several interrupt flags. Individual interrupt flags may also represent more than one interrupt source.

Up to eight GPIO pins, regardless of the selected function, can be programmed to generate an interrupt on a level, or rising edge or falling edge, or both. The interrupt generating GPIOs can be selected from the GPIO pins with a configurable input glitch filter.

### 7.8 IOCON block

The IOCON block allows selected pins of the microcontroller to have more than one function. Configuration registers control the multiplexers to allow connection between the pin and the on-chip peripherals.

Peripherals should be connected to the appropriate pins prior to being activated and prior to any related interrupt(s) being enabled. Activity of any enabled peripheral function that is not mapped to a related pin should be considered undefined.

Up to 16 pins can be configured with a digital input glitch filter for removing voltage glitches with widths of 10 ns or less (see [Table 3](#) and [Table 4](#)), two pins (PIO0\_2 and PIO0\_3) can be configured with a 50 ns digital input glitch filter.

### 7.9 Fast general purpose parallel I/O

Device pins that are not connected to a specific peripheral function are controlled by the GPIO registers. Pins may be dynamically configured as inputs or outputs. Multiple outputs can be set or cleared in one write operation.

LPC11Axx use accelerated GPIO functions:

- GPIO registers are a dedicated AHB peripheral so that the fastest possible I/O timing can be achieved.
- An entire port value can be written in one instruction.

Additionally, any GPIO pin (total of up to 42 pins) providing a digital function can be programmed to generate an interrupt on a level, a rising or falling edge, or both.

#### 7.9.1 Features

- Bit level port registers allow a single instruction to set and clear any number of bits in one write operation.
- Direction control of individual bits.
- All I/O default to inputs with pull-up resistors enabled after reset - except for the I<sup>2</sup>C-bus true open-drain pins PIO0\_2 and PIO0\_3.
- Pull-up/pull-down configuration, repeater, and open-drain modes can be programmed through the IOCON block for each GPIO pin (see [Figure 31](#) and [Figure 32](#) for functional diagrams).

- Control of the digital output slew rate allowing to switch more outputs simultaneously without degrading the power/ground distribution of the device.

## 7.10 USART

The LPC11Axx contains one USART.

Support for RS-485/9-bit mode allows both software address detection and automatic address detection using 9-bit mode.

The USART includes a fractional baud rate generator. Standard baud rates such as 115200 Bd can be achieved with any crystal frequency above 2 MHz.

### 7.10.1 Features

- Maximum USART data bit rate of 3.125 MBit/s.
- 16-byte Receive and Transmit FIFOs.
- Register locations conform to 16C550 industry standard.
- Receiver FIFO trigger points at 1 B, 4 B, 8 B, and 14 B.
- Built-in fractional baud rate generator covering wide range of baud rates without a need for external crystals of particular values.
- FIFO control mechanism that enables software flow control implementation.
- Support for RS-485/9-bit mode.
- Supports a full modem control handshake interface.
- Support for synchronous mode.

## 7.11 SSP serial I/O controller

The LPC11Axx contain two SSP controllers.

The SSP controller is capable of operation on a SPI, 4-wire SSI, or Microwire bus. It can interact with multiple masters and slaves on the bus. Only a single master and a single slave can communicate on the bus during a given data transfer. The SSP supports full duplex transfers, with frames of 4 bits to 16 bits of data flowing from the master to the slave and from the slave to the master. In practice, often only one of these data flows carries meaningful data.

### 7.11.1 Features

- Maximum SSP speed of 25 Mbit/s (master) or 4.17 Mbit/s (slave) (in SPI mode)
- Compatible with Motorola SPI, 4-wire Texas Instruments SSI, and National Semiconductor Microwire buses
- Synchronous serial communication
- Master or slave operation
- 8-frame FIFOs for both transmit and receive
- 4-bit to 16-bit frame

## 7.12 I<sup>2</sup>C-bus serial I/O controller

The LPC11Axx contains one I<sup>2</sup>C-bus controller.

The I<sup>2</sup>C-bus is bidirectional for inter-IC control using only two wires: a serial clock line (SCL) and a serial data line (SDA). Each device is recognized by a unique address and can operate as either a receiver-only device (e.g., an LCD driver) or a transmitter with the capability to both receive and send information (such as memory). Transmitters and/or receivers can operate in either master or slave mode, depending on whether the chip has to initiate a data transfer or is only addressed. The I<sup>2</sup>C is a multi-master bus and can be controlled by more than one bus master connected to it.

**Remark:** On the WLCSP package, the bootloader configures the open-drain pins (PIO0\_2 and PIO0\_3) for the Serial Wire Debug (SWD) function.

### 7.12.1 Features

- The I<sup>2</sup>C-interface is a standard I<sup>2</sup>C-bus compliant interface with open-drain pins (PIO0\_2 and PIO0\_3). The I<sup>2</sup>C-bus interface also supports Fast-mode Plus with bit rates up to 1 Mbit/s.
- The true open-drain pins PIO0\_2 and PIO0\_3 can be configured with a 50 ns digital input glitch filter.
- If the true open-drain pins are used for other purposes, a limited-performance I<sup>2</sup>C-bus interface can be configured from a choice of six GPIO pins configured in open-drain mode and with a pull-up resistor. In this mode, typical bit rates of up to 100 kbit/s with 20 pF load are supported if the internal pull-ups are enabled. Higher bit rates can be achieved with an external resistor.
- Easy to configure as master, slave, or master/slave.
- ROM-based I<sup>2</sup>C-bus driver routines to easily create applications.
- Programmable clocks allow versatile rate control.
- Bidirectional data transfer between masters and slaves.
- Multi-master bus (no central master).
- Arbitration between simultaneously transmitting masters without corruption of serial data on the bus.
- Serial clock synchronization allows devices with different bit rates to communicate via one serial bus.
- Serial clock synchronization can be used as a handshake mechanism to suspend and resume serial transfer.
- The I<sup>2</sup>C-bus can be used for test and diagnostic purposes.
- The I<sup>2</sup>C-bus controller supports multiple address recognition and a bus monitor mode.

### 7.13 Configurable analog/mixed-signal subsystems

Multiple analog/mixed-signal subsystems can be configured by software from interconnected digital and analog peripherals. See [Figure 6](#).

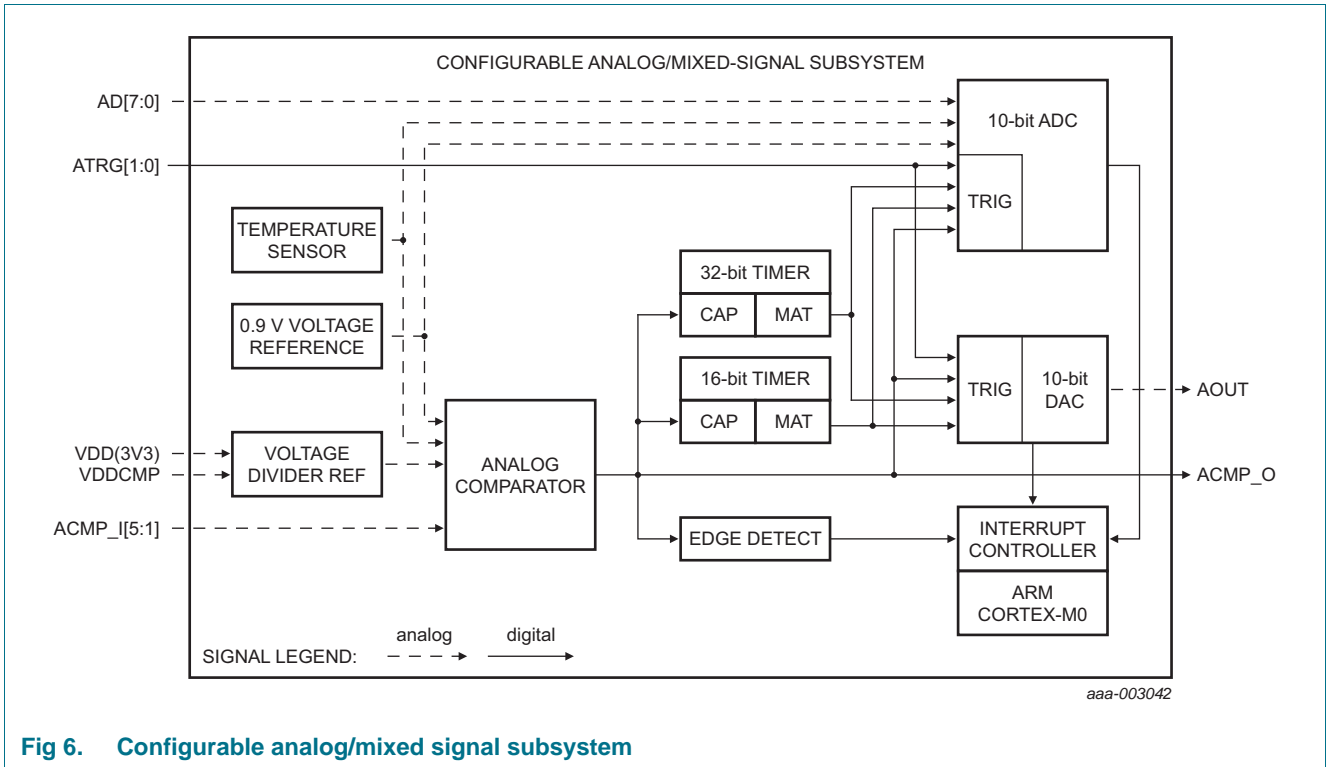
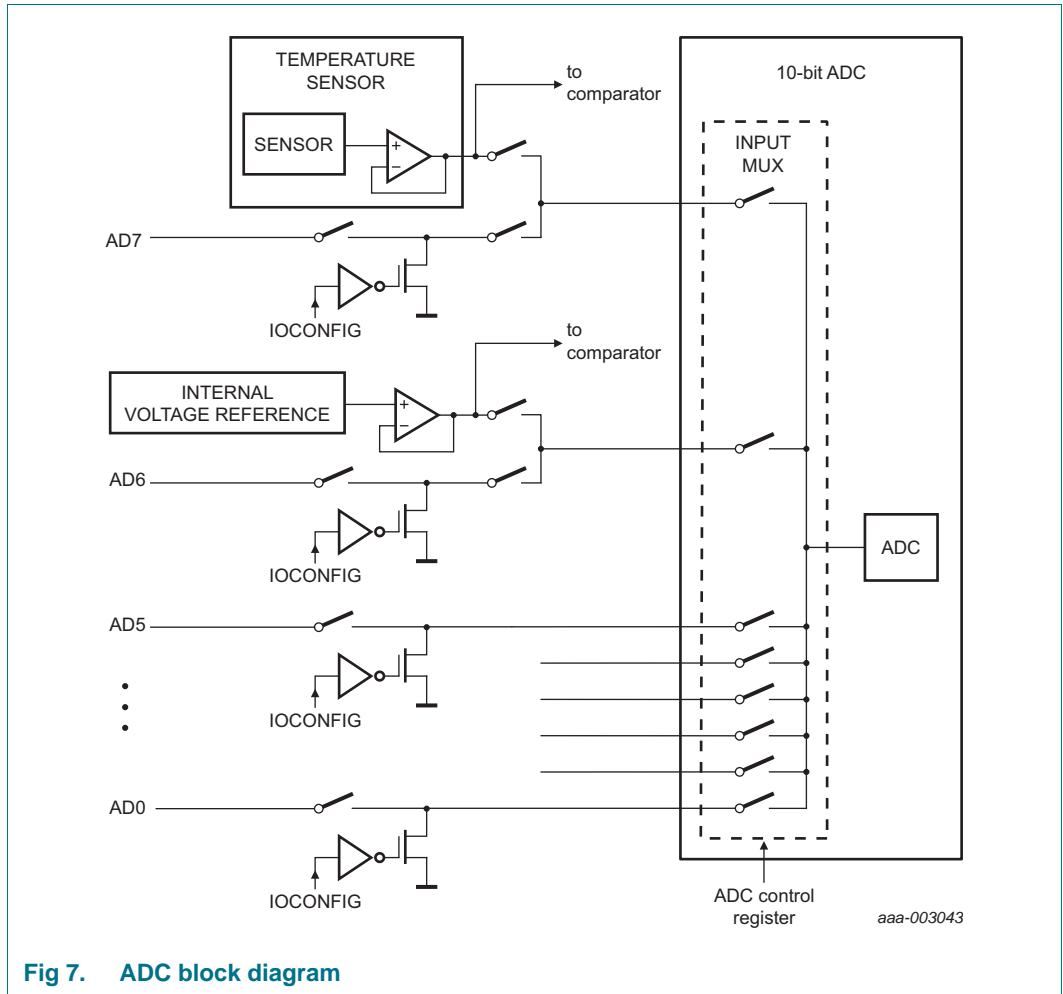


Fig 6. Configurable analog/mixed signal subsystem

### 7.14 10-bit ADC

The LPC11Axx contains one ADC. It is a single 10-bit successive approximation ADC with eight channels.



### 7.14.1 Features

- 10-bit successive approximation ADC.
- Input multiplexing among 8 pins.
- Power-down mode.
- Measurement range 0 V to  $V_{DD(3V3)}$ .
- 10-bit conversion time  $\geq 2.44 \mu\text{s}$  (up to 400 kSamples/s).
- Burst conversion mode for single or multiple inputs.
- Optional conversion on transition of input pins ATRG0 or ATRG1, timer match signal, or comparator output. (Input signals must be held for a minimum of three system clock periods). Also see [Section 12.2](#).
- Individual result registers for each ADC channel to reduce interrupt overhead.

### 7.15 Internal voltage reference

The internal voltage reference is an accurate 0.9 V and is the output of a low voltage band gap circuit. A typical value at  $T_{\text{amb}} = 25 \text{ }^\circ\text{C}$  is 0.903 V and varies typically only  $\pm 3 \text{ mV}$  over the 0 °C to 85 °C temperature range (see [Table 21](#) and [Figure 27](#)). The internal voltage reference can be used in the following applications:

- When the supply voltage  $V_{DD(3V3)}$  is known accurately, the internal voltage reference can be used to reduce the offset error  $E_O$  of the ADC code output. The ADC error correction then increases the accuracy of temperature sensor voltage output measurements.
- When the ADC is accurately calibrated, the internal voltage reference can be used to measure the power supply voltage. This requires calibration by recording the ADC code of the internal voltage reference at different power supply levels yielding a different ADC code value for each supply voltage level. In a particular application, the internal voltage reference can be measured and the actual power supply voltage can be determined from the stored calibration values. The calibration values can be stored in the EEPROM for easy access.

After power-up and after switching the input channels of the ADC or the comparator, the internal voltage reference must be allowed to settle to its stable value before it can be used as an ADC reference voltage input. Settling times are given in [Table 21](#).

For an accurate measurement of the internal voltage reference by the ADC, the ADC must be configured in single-channel burst mode. The last value of a nine-conversion (or more) burst provides an accurate result.

## 7.16 Temperature sensor

The temperature sensor transducer uses an intrinsic pn-junction diode reference and outputs a CTAT voltage (Complement To Absolute Temperature). The output voltage varies inversely with device temperature with an absolute accuracy of better than  $\pm 3$  °C over the full temperature range ( $-40$  °C to  $+85$  °C). The temperature sensor is only approximately linear with a slight curvature. The output voltage is measured over different ranges of temperatures and fit with linear-least-square lines. See [Table 23](#) and [Figure 28](#). For a voltage to temperature conversion, the temperature for a given voltage is calculated using the parameters of the linear-least-square line (see [Table 23](#)).

After power-up and after switching the input channels of the ADC or the comparator, the temperature sensor output must be allowed to settle to its stable value before it can be used as an accurate ADC input. Settling times are given in [Table 22](#).

For an accurate measurement of the temperature sensor by the ADC, the ADC must be configured in single-channel burst mode. The last value of a nine-conversion (or more) burst provides an accurate result.

## 7.17 10-bit DAC

The DAC allows generation of a variable, rail-to-rail analog output.

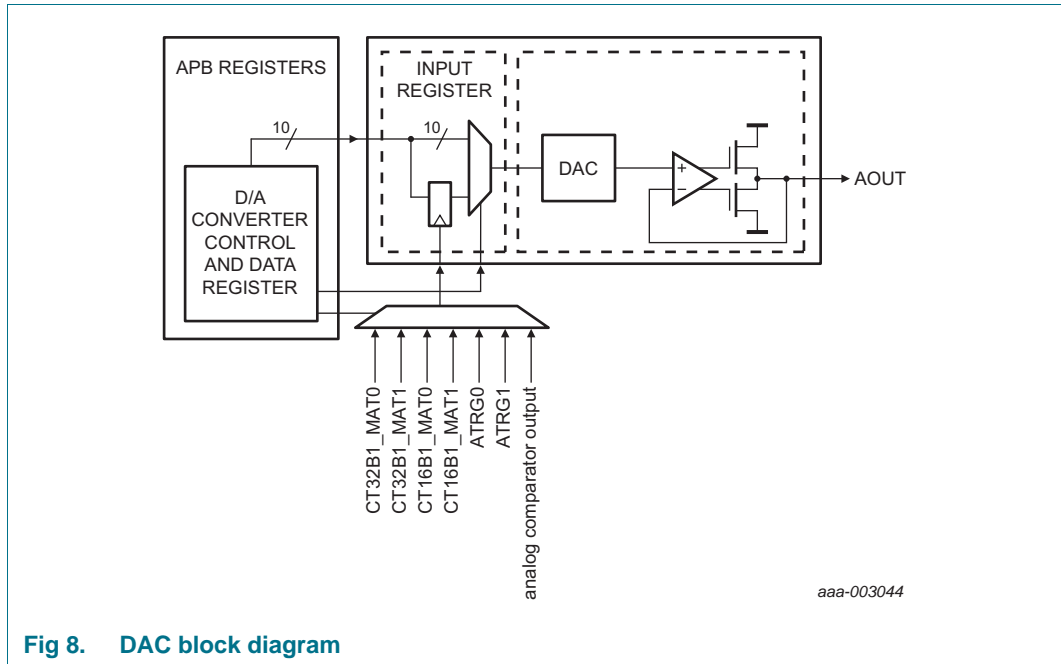


Fig 8. DAC block diagram

7.17.1 Features

- 10-bit DAC.
- Resistor string architecture.
- Buffered output.
- Power-down mode.
- Conversion speed controlled via a programmable bias current.
- Optional output update modes:
  - write operations to the DAC register.
  - a transition of pins ATRG0 or ATRG1. Input signals must be held for a minimum of three system clock periods.
  - a timer match signal.
  - a comparator output signal held for a minimum of two system clock periods.
- Holds output value during Sleep mode if the DAC is not powered down.

7.18 Analog comparator

The analog comparator with selectable hysteresis can compare voltage levels on external pins and internal voltages. See [Table 24](#).

After power-up and after switching the input channels of the comparator, the output of the voltage ladder must be allowed to settle to its stable value before it can be used as a comparator reference input. Settling times are given in [Table 25](#).

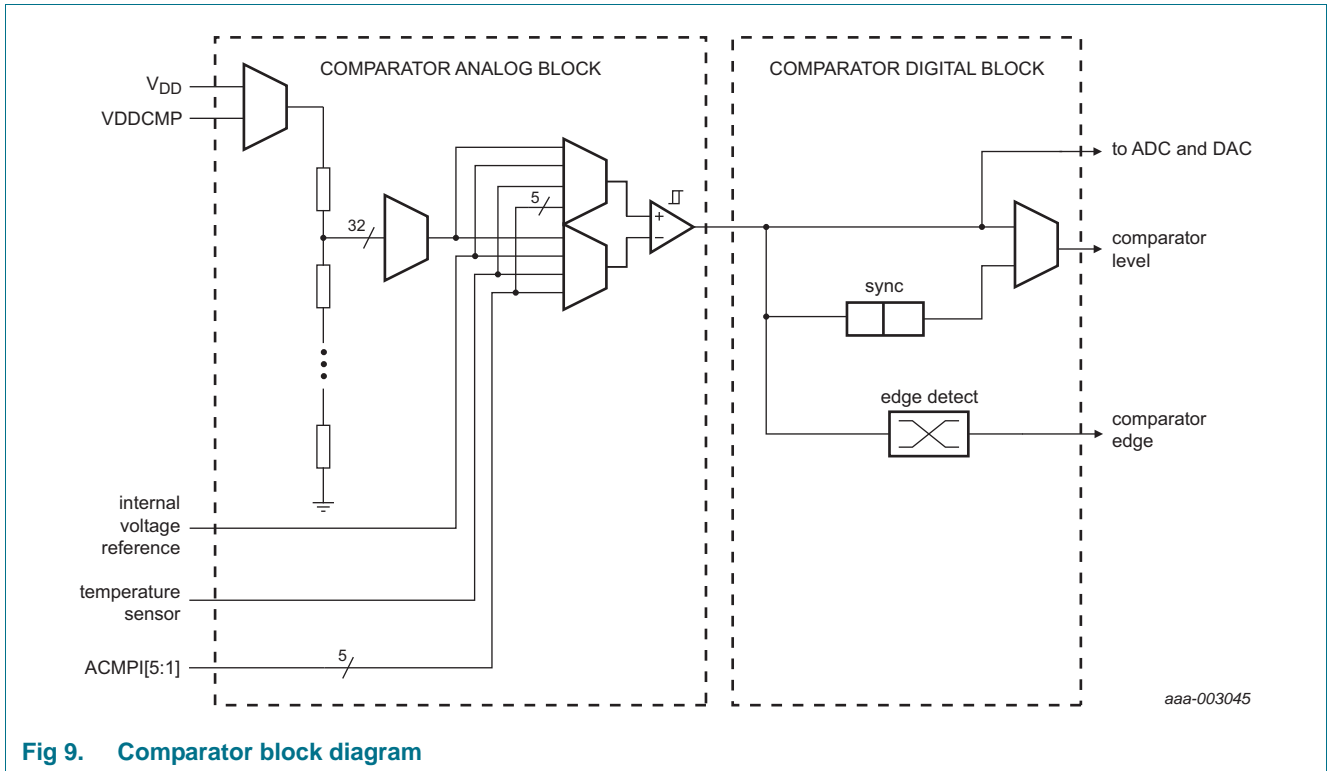


Fig 9. Comparator block diagram

### 7.18.1 Features

- Selectable 0 mV, 10 mV ( $\pm 5$  mV), and 20 mV ( $\pm 10$  mV), 40 mV ( $\pm 20$  mV) input hysteresis.
- Five selectable external voltages; fully configurable on either positive or negative input channel.
- Internal voltage reference from band gap and temperature sensor selectable on either positive or negative input channel.
- 32-stage voltage ladder with the internal reference voltage selectable on either the positive or the negative input channel. See [Table 24](#) to [Table 26](#).
- Voltage ladder source voltage is selectable from an external pin or the main 3.3 V supply voltage rail.
- Voltage ladder can be separately powered down for applications only requiring the comparator function.
- Interrupt output is connected to NVIC.
- Comparator level output is connected to output pin  $ACMP\_O$ .
- Comparator output is internally connected to the ADC and DAC and can be used to trigger a conversion.
- The comparator output is also connected internally to capture channel 3 on each of the 32-bit and 16-bit counter/timers.



## 7.19 General purpose external event counter/timers

The LPC11Axx includes two 32-bit counter/timers and two 16-bit counter/timers. The counter/timer is designed to count cycles of the system derived clock. It can optionally generate interrupts or perform other actions at specified timer values, based on four match registers. Each counter/timer also includes four capture inputs to trap the timer value when an input signal transitions, optionally generating an interrupt.

### 7.19.1 Features

- A 32-bit/16-bit timer/counter with a programmable 32-bit/16-bit prescaler.
- Counter or timer operation.
- Four capture channels per timer, that can take a snapshot of the timer value when an input signal transitions. A capture event may also generate an interrupt. Up to three capture channels are pinned out. One channel is internally connected to the comparator output ACMP\_O.
- Four match registers per timer that allow:
  - Continuous operation with optional interrupt generation on match.
  - Stop timer on match with optional interrupt generation.
  - Reset timer on match with optional interrupt generation.
- Up to four external outputs corresponding to match registers, with the following capabilities:
  - Set LOW on match.
  - Set HIGH on match.
  - Toggle on match.
  - Do nothing on match.

## 7.20 System tick timer

The ARM Cortex-M0 includes a system tick timer (SYSTICK) that is intended to generate a dedicated SYSTICK exception at a fixed time interval (typically 10 ms).

## 7.21 Windowed WatchDog Timer (WWDT)

The purpose of the watchdog is to reset the controller if software fails to periodically service it within a programmable time window.

### 7.21.1 Features

- Internally resets chip if not periodically reloaded during the programmable time-out period.
- Optional windowed operation requires reload to occur between a minimum and maximum time period, both programmable.
- Optional warning interrupt can be generated at a programmable time prior to watchdog time-out.
- Enabled by software but requires a hardware reset or a watchdog reset/interrupt to be disabled.
- Incorrect feed sequence causes reset or interrupt if enabled.

- Flag to indicate watchdog reset.
- Programmable 24-bit timer with internal prescaler.
- Selectable time period from  $(T_{cy(WDCLK)} \times 256 \times 4)$  to  $(T_{cy(WDCLK)} \times 2^{24} \times 4)$  in multiples of  $T_{cy(WDCLK)} \times 4$ .
- The Watchdog Clock (WDCLK) source can be selected from the internal RC oscillator (IRC), or the dedicated watchdog oscillator (WDOsc). This gives a wide range of potential timing choices of watchdog operation under different power conditions.

## 7.22 Clocking and power control

### 7.22.1 Crystal and internal oscillators

The LPC11Axx include four independent oscillators.

1. The crystal oscillator (SysOsc) operating at frequencies between 1 MHz and 25 MHz.
2. The internal RC Oscillator (IRC) with a fixed frequency of 12 MHz, trimmed to 1% accuracy.
3. The internal low-power, Low-Frequency Oscillator (LFOsc) with a programmable nominal frequency between 9.4 kHz and 2.3 MHz with 40% accuracy.
4. The dedicated Watchdog Oscillator (WDOsc) with a programmable nominal frequency between 9.4 kHz and 2.3 MHz with 40% accuracy.

Each oscillator, except the WDOsc, can be used for more than one purpose as required in a particular application.

Following reset, the LPC11Axx will operate from the IRC until switched by software. This allows systems to operate without any external crystal and the bootloader code to operate at a known frequency.

See [Figure 10](#) for an overview of the LPC11Axx clock generation.

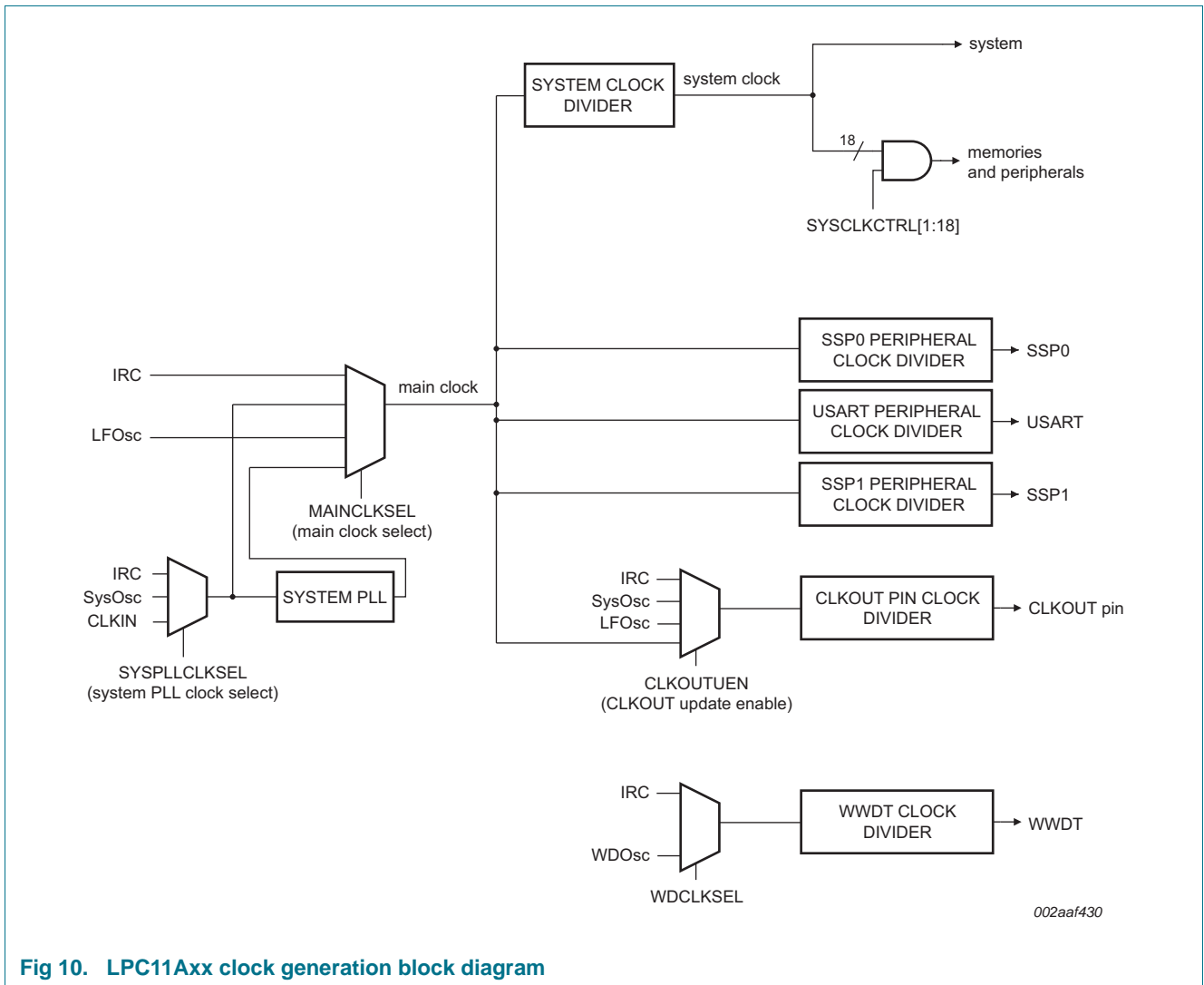


Fig 10. LPC11Axx clock generation block diagram

**7.22.1.1 Internal RC Oscillator (IRC)**

The IRC may be used as the clock source for the WWDT, and/or as the clock that drives the PLL and subsequently the CPU. The nominal IRC frequency is 12 MHz. The IRC is trimmed to 1 % accuracy over the entire voltage and temperature range.

The IRC can be used as a clock source for the CPU with or without using the PLL. The IRC frequency can be boosted to a higher frequency, up to the maximum CPU operating frequency, by the system PLL.

Upon power-up or any chip reset, the LPC11Axx use the IRC as the clock source. Software may later switch to one of the other available clock sources.

**7.22.1.2 Crystal Oscillator (SysOsc)**

The crystal oscillator can be used as the clock source for the CPU, with or without using the PLL.

The SysOsc operates at frequencies of 1 MHz to 25 MHz. This frequency can be boosted to a higher frequency, up to the maximum CPU operating frequency, by the system PLL.

### 7.22.1.3 Internal Low-Frequency Oscillator (LFOsc) and Watchdog Oscillator (WDOsc)

The LFOsc and the WDOsc are identical internal oscillators. The nominal frequency is programmable between 9.4 kHz and 2.3 MHz. The frequency spread over silicon process variations is  $\pm 40\%$ .

The WDOsc is a dedicated oscillator for the windowed WWDT.

The LFOsc can be used as a clock source that directly drives the CPU or the CLKOUT pin.

### 7.22.2 Clock input

A 3.3 V external clock source (25 MHz typical) can be supplied on the selected CLKIN pin or a 1.8 V external clock source can be supplied on the XTALIN pin (see [Section 12.3](#)).

### 7.22.3 System PLL

The PLL accepts an input clock frequency in the range of 10 MHz to 25 MHz. The input frequency is multiplied up to a high frequency with a Current Controlled Oscillator (CCO). The multiplier can be an integer value from 1 to 32. The CCO operates in the range of 156 MHz to 320 MHz, so there is an additional divider in the loop to keep the CCO within its frequency range while the PLL is providing the desired output frequency. The output divider may be set to divide by 2, 4, 8, or 16 to produce the output clock. Since the minimum output divider value is 2, it is insured that the PLL output has a 50 % duty cycle. The PLL is turned off and bypassed following a chip reset and may be enabled by software. The program must configure and activate the PLL, wait for the PLL to lock, and then connect to the PLL as a clock source. The PLL settling time is 100  $\mu$ s.

### 7.22.4 Clock output

The LPC11Axx features a clock output function that routes the IRC, the SysOsc, the LFOsc, or the main clock to an output pin.

### 7.22.5 Wake-up process

The LPC11Axx begin operation at power-up by using the IRC as the clock source. This allows chip operation to resume quickly. If the SysOsc, the external clock source, or the PLL is needed by the application, software will need to enable these features and wait for them to stabilize before they are used as a clock source.

### 7.22.6 Power control

The LPC11Axx supports the ARM Cortex-M0 Sleep mode. The CPU clock rate may also be controlled as needed by changing clock sources, reconfiguring PLL values, and/or altering the CPU clock divider value. This allows a trade-off of power versus processing speed based on application requirements. In addition, a register is provided for shutting down the clocks to individual on-chip peripherals, allowing fine tuning of power consumption by eliminating all dynamic power use in any peripherals that are not required for the application. Selected peripherals have their own clock divider which provides even better power control.

#### 7.22.6.1 Sleep mode

When Sleep mode is entered, the clock to the core is stopped. Resumption from the Sleep mode does not need any special sequence but re-enabling the clock to the ARM core.

In Sleep mode, execution of instructions is suspended until either a reset or interrupt occurs. Peripheral functions continue operation during Sleep mode and may generate interrupts to cause the processor to resume execution. Sleep mode eliminates dynamic power used by the processor itself, memory systems and related controllers, and internal buses.

#### 7.22.6.2 Power profiles

The power consumption in Active and Sleep modes can be optimized for the application through simple calls to the power profile. The power configuration routine configures the LPC11Axx for one of the following power modes:

- Default mode corresponding to power configuration after reset.
- CPU performance mode corresponding to optimized processing capability.
- Efficiency mode corresponding to optimized balance of current consumption and CPU performance.
- Low-current mode corresponding to lowest power consumption.

In addition, the power profile includes routines to select the optimal PLL settings for a given system clock and PLL input clock.

### 7.23 System control

#### 7.23.1 UnderVoltage LockOut (UVLO) protection

The BOD and POR circuits remain enabled at all times to provide UVLO protection from an unexpected power supply droop below a typical threshold level of 2.4 V (see also the *LPC11Axx user manual*). UVLO protection means that the LPC11Axx is held in reset whenever the supply voltage falls below 2.4 V.

See also [Section 10.1 “Power supply fluctuations”](#), [Section 12.7 “UVLO protection and reset timer circuit”](#), and [Section 12.8 “Guidelines for selecting a power supply filter for UVLO protection”](#).

#### 7.23.2 Reset

Reset has several sources on the LPC11Axx: the  $\overline{\text{RESET}}$  pin, the Watchdog reset, power-on reset (POR), the ARM SYSRESETREQ software request, and the Brown-Out Detection (BOD) circuit. After the BOD and the POR resets are released, the internal reset timer counts for 100  $\mu\text{s}$  until the internal reset is removed.

Assertion of chip reset by any source (after the operating voltage attains a usable level) starts the IRC and initializes the flash memory controller.

When the internal Reset is removed, the processor begins executing at address 0, which is initially the Reset vector mapped from the boot block. At that point, all of the processor and peripheral registers have been initialized to predetermined values.

Writing to a special function register allows the software to reset the following peripherals: the I<sup>2</sup>C-bus interface, the USART, both SSP controllers, the four counter/timers, the comparator, the ADC, and the DAC.

The  $\overline{\text{RESET}}$  pin is a Schmitt trigger input pin and uses a special pad. See [Figure 32](#).

### 7.23.3 Brown-out detection

The LPC11Axx include two programmable levels for monitoring the voltage on the  $V_{DD(3V3)}$  pin. If this voltage falls below the selected level, the BOD asserts an interrupt signal to the NVIC. This signal can be enabled for interrupt in the Interrupt Enable Register in the NVIC in order to cause a CPU interrupt; alternatively, software can monitor the signal by reading a dedicated status register. In addition, the BOD circuit supports one hardware controlled voltage level for triggering a chip reset.

### 7.23.4 Code security (Code Read Protection - CRP)

This feature of the LPC11Axx allows user to enable different levels of security in the system so that access to the on-chip flash and use of the Serial Wire Debugger (SWD) and In-System-Programming (ISP) can be restricted. When needed, CRP is invoked by programming a specific pattern into a dedicated flash location. IAP commands are not affected by the CRP.

In addition, ISP entry via the PIO0\_1 pin can be disabled without enabling CRP. For details see the *LPC11Axx user manual*.

There are three levels of Code Read Protection:

1. CRP1 disables access to the chip via the SWD and allows partial flash update (excluding flash sector 0) using a limited set of the ISP commands. This mode is useful when CRP is required and flash field updates are needed but all sectors can not be erased.
2. CRP2 disables access to the chip via the SWD and only allows full flash erase and update using a reduced set of the ISP commands.
3. Running an application with level CRP3 selected fully disables any access to the chip via the SWD pins and the ISP. This mode effectively disables ISP override using PIO0\_1 pin, too. It is up to the user's application to provide (if needed) flash update mechanism using IAP calls or call reinvoke ISP command to enable flash update via the USART.

#### CAUTION



If level three Code Read Protection (CRP3) is selected, no future factory testing can be performed on the device.

In addition to the three CRP levels, sampling of pin PIO0\_1 for valid user code can be disabled. For details see the *LPC11Axx user manual*.

### 7.23.5 APB interface

The APB peripherals are located on one APB bus.

### 7.23.6 AHBLite

The AHBLite connects the CPU bus of the ARM Cortex-M0 to the flash memory, the main static RAM, and the Boot ROM.

### 7.23.7 External interrupt inputs

All GPIO pins can be level or edge sensitive interrupt inputs.

### 7.24 Emulation and debugging

Debug functions are integrated into the ARM Cortex-M0. JTAG and Serial Wire Debug (SWD) with four breakpoints and two watchpoints are supported.

The  $\overline{\text{RESET}}$  pin selects between the JTAG boundary scan ( $\overline{\text{RESET}} = \text{LOW}$ ) and the ARM SWD debug ( $\overline{\text{RESET}} = \text{HIGH}$ ). The ARM SWD debug port is disabled while the LPC11Axx is in reset.

To perform boundary scan testing, follow these steps:

1. Erase any user code residing in flash.
2. Power up the part with the  $\overline{\text{RESET}}$  pin pulled HIGH externally.
3. Wait for at least 250  $\mu\text{s}$ .
4. Pull the  $\overline{\text{RESET}}$  pin LOW externally.
5. Perform boundary scan operations.
6. Once the boundary scan operations are completed, assert the TRST pin to enable the SWD debug mode and release the  $\overline{\text{RESET}}$  pin (pull HIGH).

**Remark:** The JTAG interface cannot be used for debug purposes.

On the WLCSP package, the TCK signal is shared with the VDDCMP input on pin PIO0\_5. To perform a boundary scan on a blank device, make sure that the PIO0\_5 pin is not filtered on the board. The bypass filter usually added to the comparator voltage reference input (VDDCMP) filters out the SWCLK/TCK input signal.

For SWD debug, an alternative TCK/SWCLK clock pin is available on pin PIO0\_2. This is the default function after booting for the WLCSP package.

## 8. Limiting values

**Table 5. Limiting values**

In accordance with the Absolute Maximum Rating System (IEC 60134).<sup>[1]</sup>

| Symbol          | Parameter                             | Conditions  | Min                    | Max           | Unit             |
|-----------------|---------------------------------------|---|------------------------|---------------|------------------|
| $V_{DD(3V3)}$   | supply voltage (3.3 V)                |   | 2.6                    | 3.6           | V                |
| $V_{DD(I/O)}$   | input/output supply voltage           |   | 2.6                    | 3.6           | V                |
| $V_I$           | input voltage                         | 5 V tolerant I/O pins; only valid when the $V_{DD(I/O)}$ supply voltage is present  | <sup>[2][3]</sup> -0.5 | +5.5          | V                |
|                 |                                       | 3 V tolerant I/O pins without over-voltage protection                               | <sup>[4]</sup> -0.5    | $V_{DD(I/O)}$ | V                |
| $I_{DD}$        | supply current                        | per supply pin  | -                      | 100           | mA               |
| $I_{SS}$        | ground current                        | per ground pin  | -                      | 100           | mA               |
| $I_{latch}$     | I/O latch-up current                  | $-(0.5V_{DD(I/O)}) < V_I < (1.5V_{DD(I/O)})$ ;<br>$T_j < 125\text{ }^\circ\text{C}$ | -                      | 100           | mA               |
| $T_{stg}$       | storage temperature                   |   | <sup>[5]</sup> -65     | +150          | $^\circ\text{C}$ |
| $T_{j(max)}$    | maximum junction temperature          |   | -                      | 150           | $^\circ\text{C}$ |
| $P_{tot(pack)}$ | total power dissipation (per package) | based on package heat transfer, not device power consumption                        | -                      | 1.5           | W                |
| $V_{esd}$       | electrostatic discharge voltage       | human body model; all pins  | <sup>[6]</sup> -6.5    | +6.5          | kV               |

[1] The following applies to the limiting values:

- This product includes circuitry specifically designed for the protection of its internal devices from the damaging effects of excessive static charge. Nonetheless, it is suggested that conventional precautions be taken to avoid applying greater than the rated maximum.
- Parameters are valid over operating temperature range unless otherwise specified. All voltages are with respect to  $V_{SS}$  unless otherwise noted.

[2] Applies to all 5 V tolerant I/O pins except true open-drain pins PIO0\_2 and PIO0\_3 and except the 3 V tolerant pins PIO0\_4 and PIO0\_14 (LQFP and HVQFN packages) or PIO0\_5 (WLCSP package).

[3] Including voltage on outputs in 3-state mode.

[4] Applies to 3 V tolerant pins PIO0\_4 and PIO0\_14 (LQFP and HVQFN packages) or PIO0\_5 (WLCSP package).

[5] Dependent on package type.

[6] Human body model: equivalent to discharging a 100 pF capacitor through a 1.5 k $\Omega$  series resistor.



## 9. Static characteristics

**Table 6. Static characteristics**

$T_{amb} = -40\text{ }^{\circ}\text{C}$  to  $+85\text{ }^{\circ}\text{C}$ , unless otherwise specified.

| Symbol        | Parameter                           | Conditions  | Min                       | Typ <sup>[1]</sup> | Max | Unit |    |
|---------------|-------------------------------------|---|---------------------------|--------------------|-----|------|----|
| $V_{DD(3V3)}$ | supply voltage (3.3 V)              |   | 2.6                       | 3.3                | 3.6 | V    |    |
| $V_{DD(IO)}$  | input/output supply voltage         |   | 2.6                       | 3.3                | 3.6 | V    |    |
| $I_{DD}$      | supply current                      | Active mode; code<br>while(1){}<br>executed from flash;<br>$V_{DD(3V3)} = V_{DD(IO)} = 3.3\text{ V}$ ;<br>low-current mode (see<br><a href="#">Section 7.22.6.2</a> ) |                           |                    |     |      |    |
|               |                                     | system clock = 12 MHz;<br>all peripherals disabled  | <a href="#">[2][4][5]</a> | -                  | 3   | -    | mA |
|               |                                     | system clock = 48 MHz;<br>all peripherals disabled  | <a href="#">[2][6][5]</a> | -                  | 8   | -    | mA |
|               |                                     | Sleep mode;<br>system clock = 12 MHz;<br>$V_{DD(3V3)} = V_{DD(IO)} = 3.3\text{ V}$ ;<br>power mode 0 (see<br><a href="#">Section 7.22.6.2</a> )                       |                           |                    |     |      |    |
|               |                                     | all peripherals disabled;<br>12 MHz   | <a href="#">[2][4][5]</a> | -                  | 2   | -    | mA |
|               | all peripherals disabled;<br>48 MHz | <a href="#">[2][4][5]</a>   | -                         | 5                  | -   | mA   |    |

### Standard port pins, RESET

|           |                          |  |                        |     |                 |              |   |
|-----------|--------------------------|--|------------------------|-----|-----------------|--------------|---|
| $I_{IL}$  | LOW-level input current  | $V_I = 0\text{ V}$ ; on-chip pull-up resistor disabled                                       | -                      | 0.5 | 1000            | nA           |   |
| $I_{IH}$  | HIGH-level input current | $V_I = V_{DD(IO)}$ ; on-chip pull-down resistor disabled                                     | -                      | 0.5 | 1000            | nA           |   |
| $I_{OZ}$  | OFF-state output current | $V_O = 0\text{ V}$ ; $V_O = V_{DD(IO)}$ ; on-chip pull-up/down resistors disabled            | -                      | 0.5 | 1000            | nA           |   |
| $V_I$     | input voltage            | pin configured to provide a digital function<br>5 V tolerant pins                            | <a href="#">[7][8]</a> | 0   | -               | 5.0          | V |
|           |                          | 3 V tolerant pins:<br>PIO0_4 and PIO0_14 (LQFP and HVQFN packages) or PIO0_5 (HVQFN package) | <a href="#">[7][8]</a> |     |                 | $V_{DD(IO)}$ |   |
| $V_O$     | output voltage           | output active  | 0                      | -   | $V_{DD(IO)}$    | V            |   |
| $V_{IH}$  | HIGH-level input voltage |  | $0.7V_{DD(IO)}$        | -   | -               | V            |   |
| $V_{IL}$  | LOW-level input voltage  |  | -                      | -   | $0.3V_{DD(IO)}$ | V            |   |
| $V_{hys}$ | hysteresis voltage       | $3.0\text{ V} \leq V_{DD(IO)} \leq 3.6\text{ V}$   | 0.4                    | -   | -               | V            |   |

**Table 6. Static characteristics ...continued**  
*T<sub>amb</sub> = -40 °C to +85 °C, unless otherwise specified.*

| Symbol                                 | Parameter                               | Conditions   | Min                       | Typ <sup>[1]</sup> | Max                     | Unit |
|--|---|--|---------------------------|--------------------|-------------------------|------|
| V <sub>OH</sub>                        | HIGH-level output voltage               | 2.6 V ≤ V <sub>DD(10)</sub> ≤ 3.6 V;<br>I <sub>OH</sub> = -4 mA                                      | 0.85V <sub>DD(10)</sub>   | -                  | -                       | V    |
| V <sub>OL</sub>                        | LOW-level output voltage                | 2.6 V ≤ V <sub>DD(10)</sub> ≤ 3.6 V;<br>I <sub>OL</sub> = 4 mA                                       | -                         | -                  | 0.15V <sub>DD(10)</sub> | V    |
| I <sub>OH</sub>                        | HIGH-level output current               | V <sub>OH</sub> = V <sub>DD(10)</sub> - 0.4 V;<br>2.6 V ≤ V <sub>DD(10)</sub> ≤ 3.6 V                | -4                        | -                  | -                       | mA   |
| I <sub>OL</sub>                        | LOW-level output current                | V <sub>OL</sub> = 0.4 V<br>2.6 V ≤ V <sub>DD(10)</sub> ≤ 3.6 V                                       | 4                         | -                  | -                       | mA   |
| I <sub>OHS</sub>                       | HIGH-level short-circuit output current | V <sub>OH</sub> = 0 V  | [9] -                     | -                  | -45                     | mA   |
| I <sub>OLS</sub>                       | LOW-level short-circuit output current  | V <sub>OL</sub> = V <sub>DD(10)</sub>  | [9] -                     | -                  | 50                      | mA   |
| I <sub>pd</sub>                        | pull-down current                       | V <sub>I</sub> = 5 V   | [10] 10                   | 50                 | 150                     | μA   |
| I <sub>pu</sub>                        | pull-up current                         | V <sub>I</sub> = 0 V;<br>2.6 V ≤ V <sub>DD(10)</sub> ≤ 3.6 V   | -15                       | -50                | -85                     | μA   |
|  |   | V <sub>DD(10)</sub> < V <sub>I</sub> < 5 V   | 0                         | 0                  | 0                       | μA   |
| <b>High-drive output pin (PIO0_21)</b> |   |  |                           |                    |                         |      |
| I <sub>IL</sub>                        | LOW-level input current                 | V <sub>I</sub> = 0 V; on-chip pull-up resistor disabled  | -                         | 0.5                | 10                      | nA   |
| I <sub>IH</sub>                        | HIGH-level input current                | V <sub>I</sub> = V <sub>DD(10)</sub> ; on-chip pull-down resistor disabled                           | -                         | 0.5                | 10                      | nA   |
| I <sub>OZ</sub>                        | OFF-state output current                | V <sub>O</sub> = 0 V; V <sub>O</sub> = V <sub>DD(10)</sub> ; on-chip pull-up/down resistors disabled | -                         | 0.5                | 10                      | nA   |
| V <sub>I</sub>                         | input voltage                           | pin configured to provide a digital function   | [7][8] 0                  | -                  | 5.0                     | V    |
| V <sub>O</sub>                         | output voltage                          | output active  | 0                         | -                  | V <sub>DD(10)</sub>     | V    |
| V <sub>IH</sub>                        | HIGH-level input voltage                |  | 0.7V <sub>DD(10)</sub>    | -                  | -                       | V    |
| V <sub>IL</sub>                        | LOW-level input voltage                 |  | -                         | -                  | 0.3V <sub>DD(10)</sub>  | V    |
| V <sub>hys</sub>                       | hysteresis voltage                      |  | 0.4                       | -                  | -                       | V    |
| V <sub>OH</sub>                        | HIGH-level output voltage               | 2.6 V ≤ V <sub>DD(10)</sub> ≤ 3.6 V;<br>I <sub>OH</sub> = -20 mA                                     | V <sub>DD(10)</sub> - 0.4 | -                  | -                       | V    |
|  |   | 2.6 V ≤ V <sub>DD(10)</sub> < 2.5 V;<br>I <sub>OH</sub> = -12 mA                                     | V <sub>DD(10)</sub> - 0.4 | -                  | -                       | V    |
| V <sub>OL</sub>                        | LOW-level output voltage                | 2.6 V ≤ V <sub>DD(10)</sub> ≤ 3.6 V;<br>I <sub>OL</sub> = 4 mA                                       | -                         | -                  | 0.4                     | V    |
| I <sub>OH</sub>                        | HIGH-level output current               | V <sub>OH</sub> = V <sub>DD(10)</sub> - 0.4 V;<br>2.6 V ≤ V <sub>DD(10)</sub> ≤ 3.6 V                | 20                        | -                  | -                       | mA   |
| I <sub>OL</sub>                        | LOW-level output current                | V <sub>OL</sub> = 0.4 V<br>2.6 V ≤ V <sub>DD(10)</sub> ≤ 3.6 V                                       | 4                         | -                  | -                       | mA   |

**Table 6. Static characteristics ...continued**  
 $T_{amb} = -40\text{ }^{\circ}\text{C}$  to  $+85\text{ }^{\circ}\text{C}$ , unless otherwise specified.

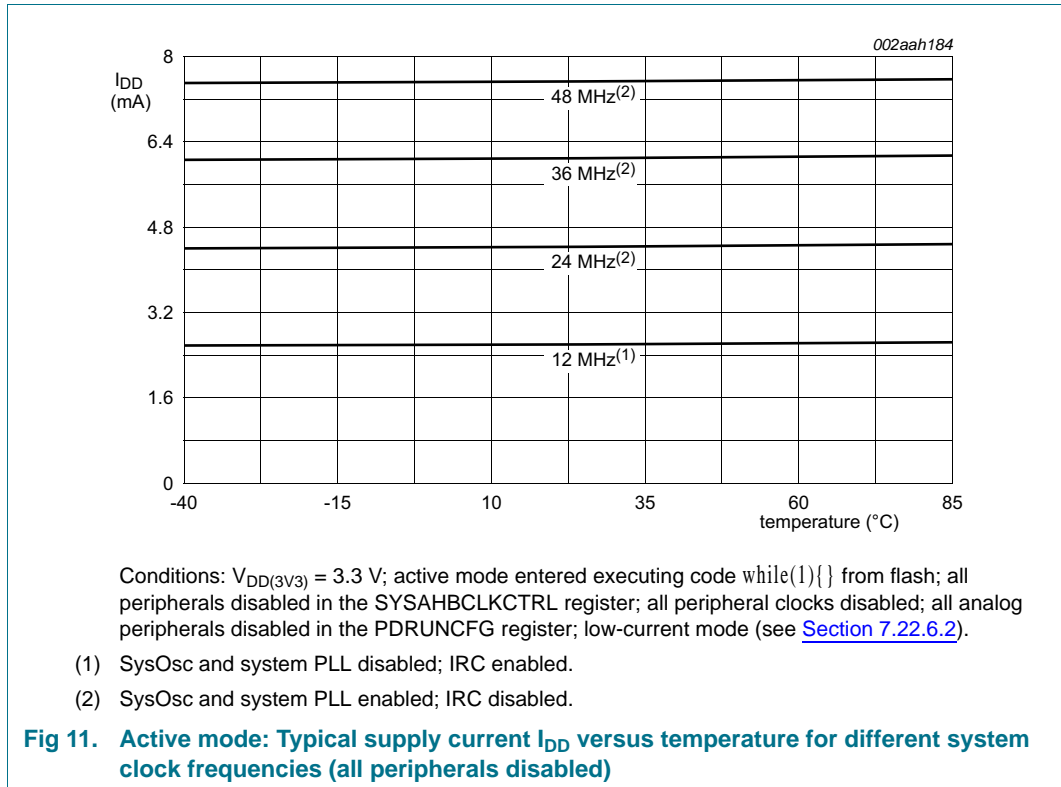
| Symbol   | Parameter                               | Conditions   | Min             | Typ <sup>[1]</sup> | Max             | Unit          |
|--|---|--|-----------------|--------------------|-----------------|---------------|
| $I_{OHS}$  | HIGH-level short-circuit output current | $V_{OH} = 0\text{ V}$  | [9] -           | -                  | -160            | mA            |
| $I_{OLS}$  | LOW-level short-circuit output current  | $V_{OL} = V_{DD(IO)}$  | [9] -           | -                  | 50              | mA            |
| $I_{pd}$   | pull-down current                       | $V_I = 5\text{ V}$   | 10              | 50                 | 150             | $\mu\text{A}$ |
| $I_{pu}$   | pull-up current                         | $V_I = 0\text{ V}$<br>$2.6\text{ V} \leq V_{DD(IO)} \leq 3.6\text{ V}$   | -15             | -50                | -85             | $\mu\text{A}$ |
|  |   | $V_{DD(IO)} < V_I < 5\text{ V}$  | 0               | 0                  | 0               | $\mu\text{A}$ |
| <b>I<sup>2</sup>C-bus pins (PIO0_2 and PIO0_3)</b> |   |  |                 |                    |                 |               |
| $V_{IH}$   | HIGH-level input voltage                |  | $0.7V_{DD(IO)}$ | -                  | -               | V             |
| $V_{IL}$   | LOW-level input voltage                 |  | -               | -                  | $0.3V_{DD(IO)}$ | V             |
| $V_{hys}$  | hysteresis voltage                      |  | -               | $0.05V_{DD(IO)}$   | -               | V             |
| $I_{OL}$   | LOW-level output current                | $V_{OL} = 0.4\text{ V}$ ; I <sup>2</sup> C-bus pins configured as standard mode pins<br>$2.6\text{ V} \leq V_{DD(IO)} \leq 3.6\text{ V}$     | 4               | -                  | -               | mA            |
| $I_{OL}$   | LOW-level output current                | $V_{OL} = 0.4\text{ V}$ ; I <sup>2</sup> C-bus pins configured as high-current sink pins<br>$2.6\text{ V} \leq V_{DD(IO)} \leq 3.6\text{ V}$ | 20              | -                  | -               | mA            |
| $I_{LI}$   | input leakage current                   | $V_I = V_{DD(IO)}$   | [11] -          | 2                  | 4               | $\mu\text{A}$ |
|  |   | $V_I = 5\text{ V}$   | -               | 10                 | 22              | $\mu\text{A}$ |
| <b>Oscillator pins</b>                             |   |  |                 |                    |                 |               |
| $V_{i(xtal)}$                                      | crystal input voltage                   |  | -0.5            | 1.8                | 1.95            | V             |
| $V_{o(xtal)}$                                      | crystal output voltage                  |  | -0.5            | 1.8                | 1.95            | V             |

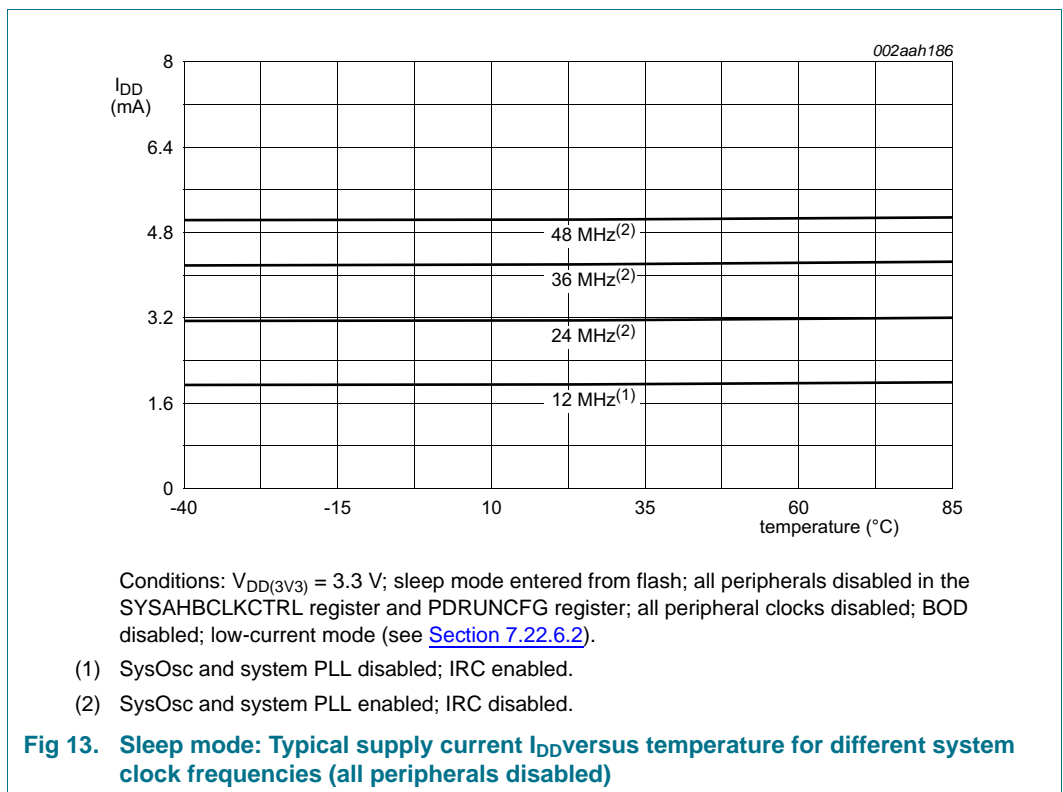
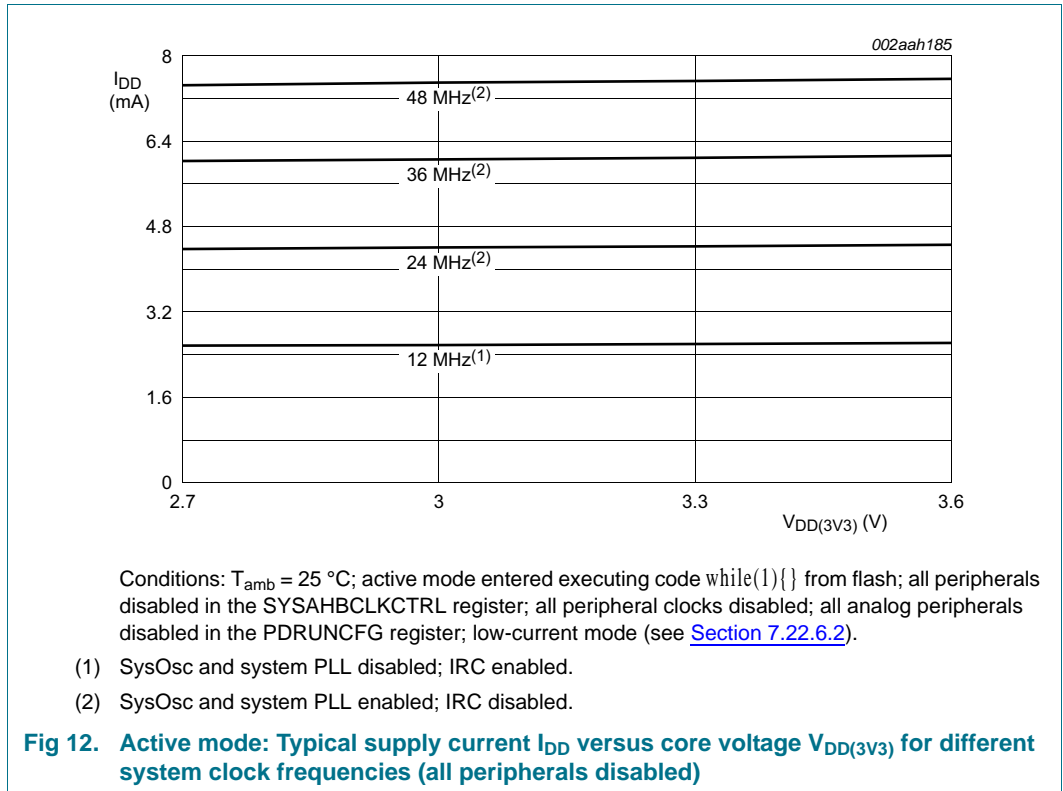
- [1] Typical ratings are not guaranteed. The values listed are at room temperature (25 °C), nominal supply voltages.
- [2]  $T_{amb} = 25\text{ }^{\circ}\text{C}$ .
- [3]  $I_{DD}$  measurements were performed with all pins configured as GPIO outputs driven LOW and pull-up resistors disabled.
- [4] IRC enabled; SysOsc disabled; system PLL disabled.
- [5] All digital peripherals disabled in the SYSCLKCTRL register except ROM, RAM, and flash. Peripheral clocks to USART and SSP0/1 disabled in system configuration block. Analog peripherals disabled in the PDRUNCFG register except flash memory.
- [6] IRC disabled; SysOsc enabled; system PLL enabled.
- [7] Including voltage on outputs in 3-state mode.
- [8] All supply voltages must be present.
- [9] Allowed as long as the current limit does not exceed the maximum current allowed by the device.
- [10] Does not apply to 3 V tolerant pins PIO0\_4 and PIO0\_14 (LQFP and HVQFN packages) or PIO0\_5 (HVQFN package).
- [11] To  $V_{SS}$ .

9.1 Power consumption

Power measurements in Active and Sleep modes were performed under the following conditions (see *LPC11Axx user manual*):

- Configure all pins as GPIO with pull-up resistor disabled in the IOCON block.
- Configure GPIO pins as outputs using the GPIO nDIR registers.
- Write 0 to all GPIO DIR registers to drive the outputs LOW.





### 9.2 Peripheral power consumption

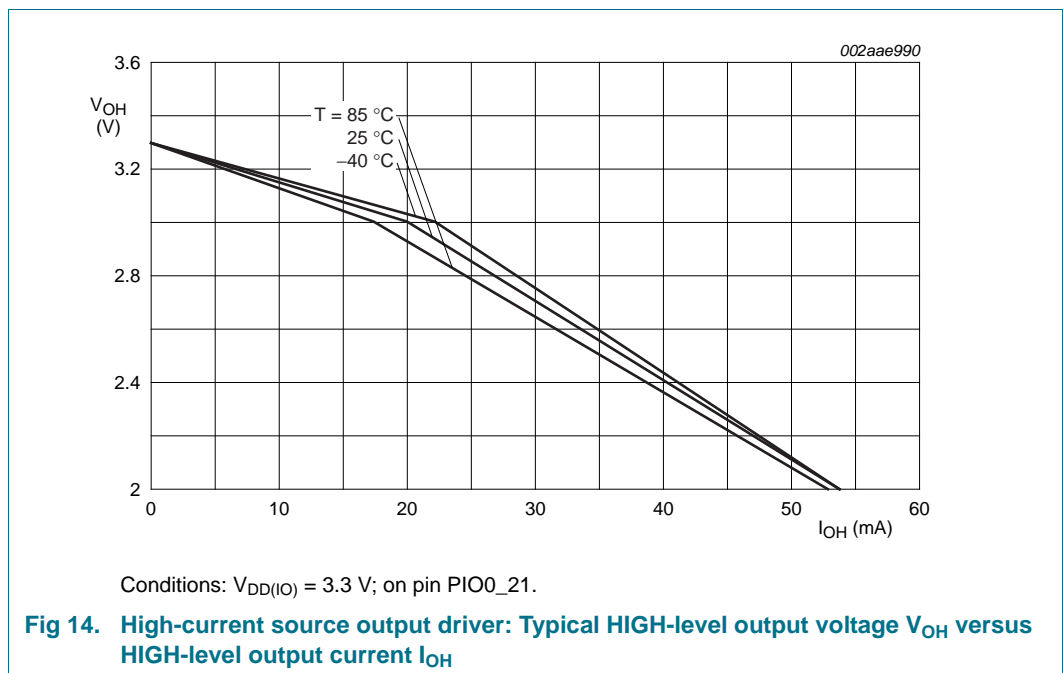
The supply current per peripheral is measured as the difference in supply current between the peripheral block enabled and the peripheral block disabled in the SYSAHBCLKCFG and PDRUNCFG (for analog blocks) registers. All other blocks are disabled in both registers and no code is executed. Measured on a typical sample at  $T_{amb} = 25\text{ }^{\circ}\text{C}$ .

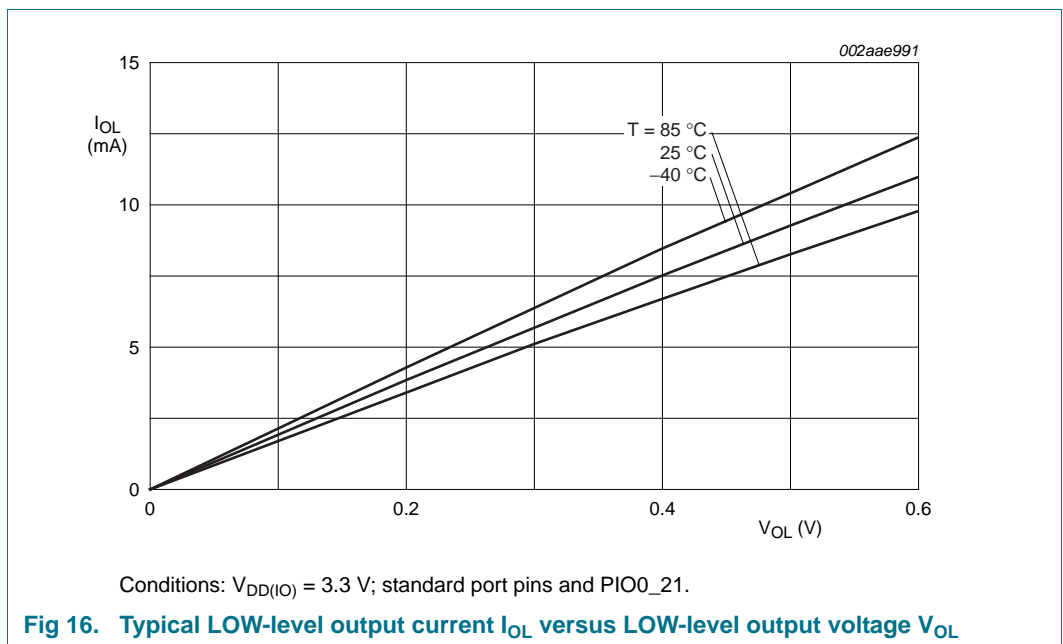
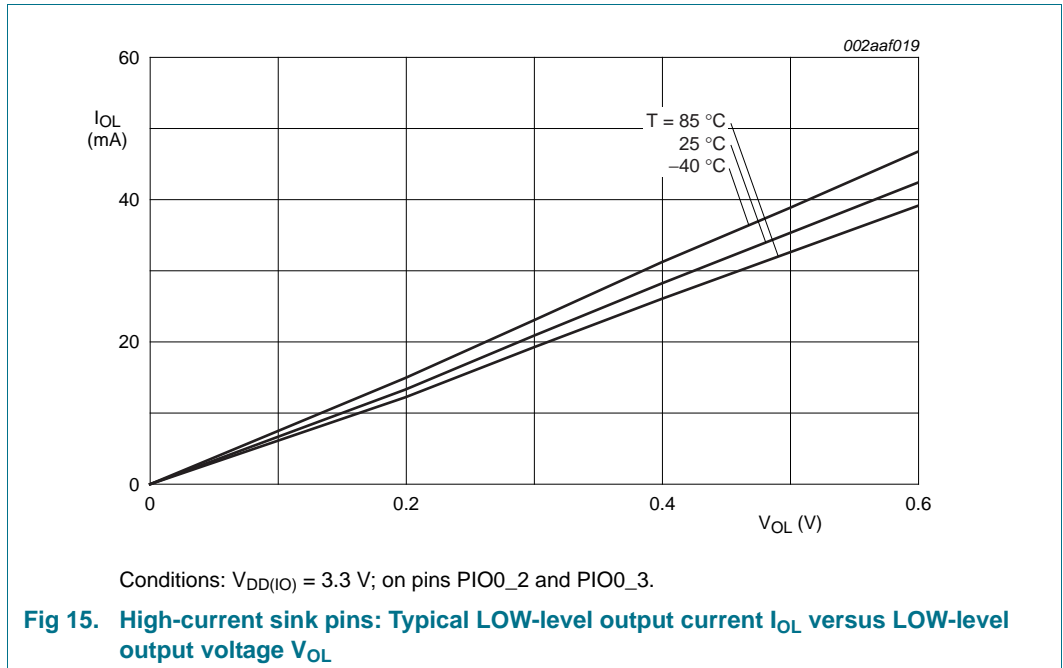
**Table 7. Power consumption for individual analog and digital blocks**

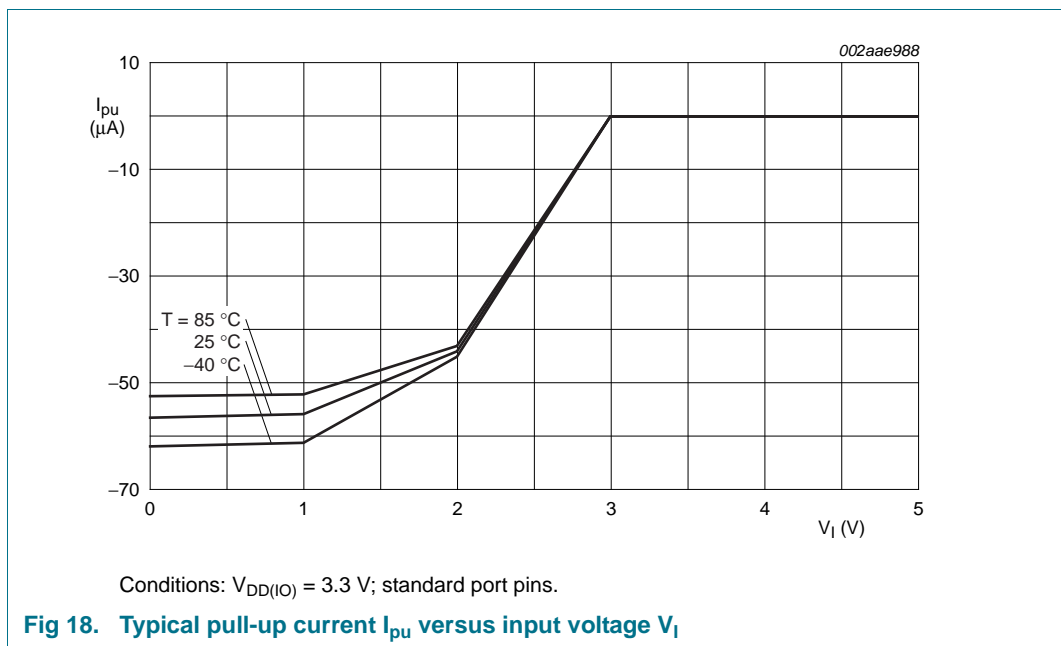
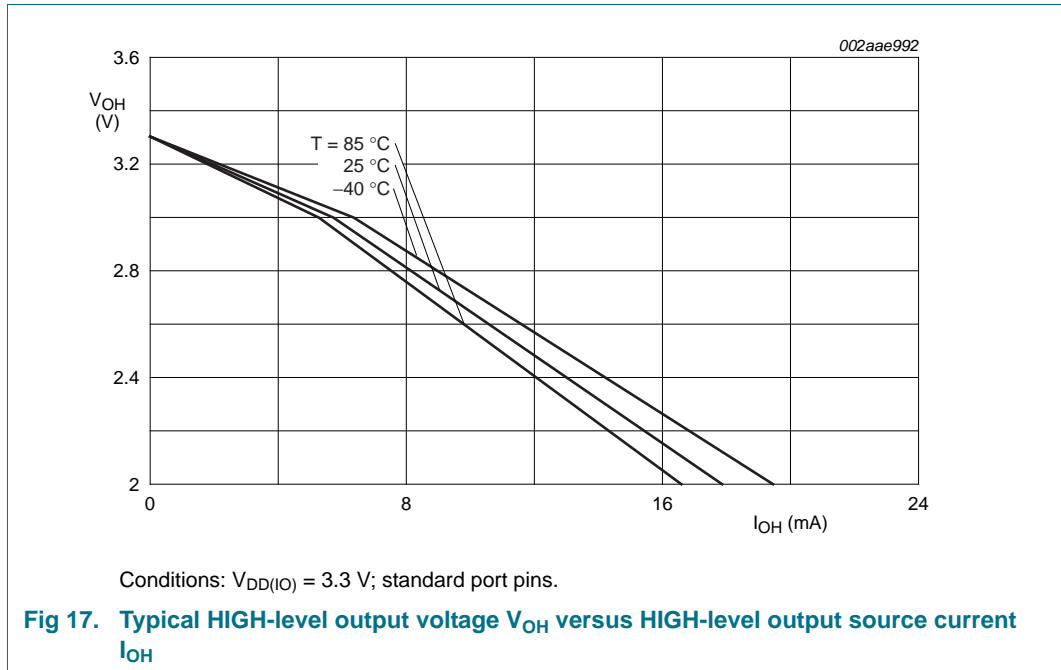
| Peripheral                                    | Typical supply current in mA |                                  |
|---|------------------------------|----------------------------------|
|   | 12 MHz <sup>[1]</sup>        | Average $\mu\text{A}/\text{MHz}$ |
| <b>Analog peripherals</b>                     |                              |                                  |
| BOD   | 0.05                         | -                                |
| BOD, comparator                               | 0.14                         | -                                |
| BOD, comparator, ADC, DAC, temperature sensor | 0.40                         | -                                |
| DAC   | 0.26                         | -                                |
| ADC   | 0.01                         | -                                |
| Temperature sensor, ADC                       | 0.01                         | -                                |
| <b>Digital peripherals</b>                    |                              |                                  |
| USART   | 0.15                         | 12                               |
| I2C   | 0.02                         | 2                                |
| 16-bit counter/timer 0/1                      | 0.02                         | 2                                |
| 32-bit counter/timer 0/1                      | 0.02                         | 2                                |
| WWDT  | 0.02                         | 2                                |

[1] IRC on; PLL off.

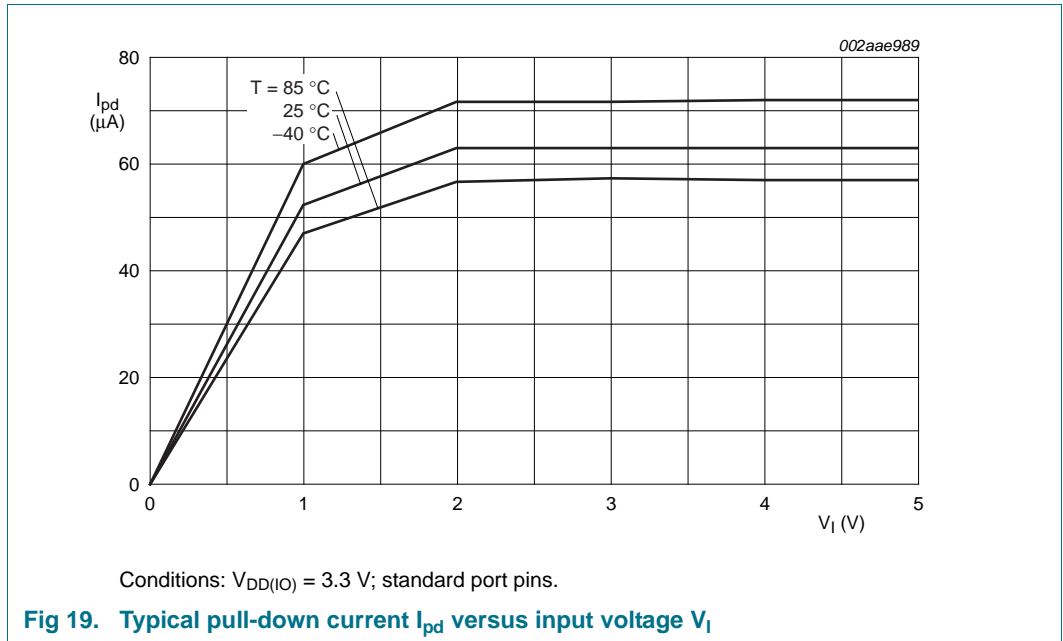
### 9.3 Electrical pin characteristics











## 10. Dynamic characteristics

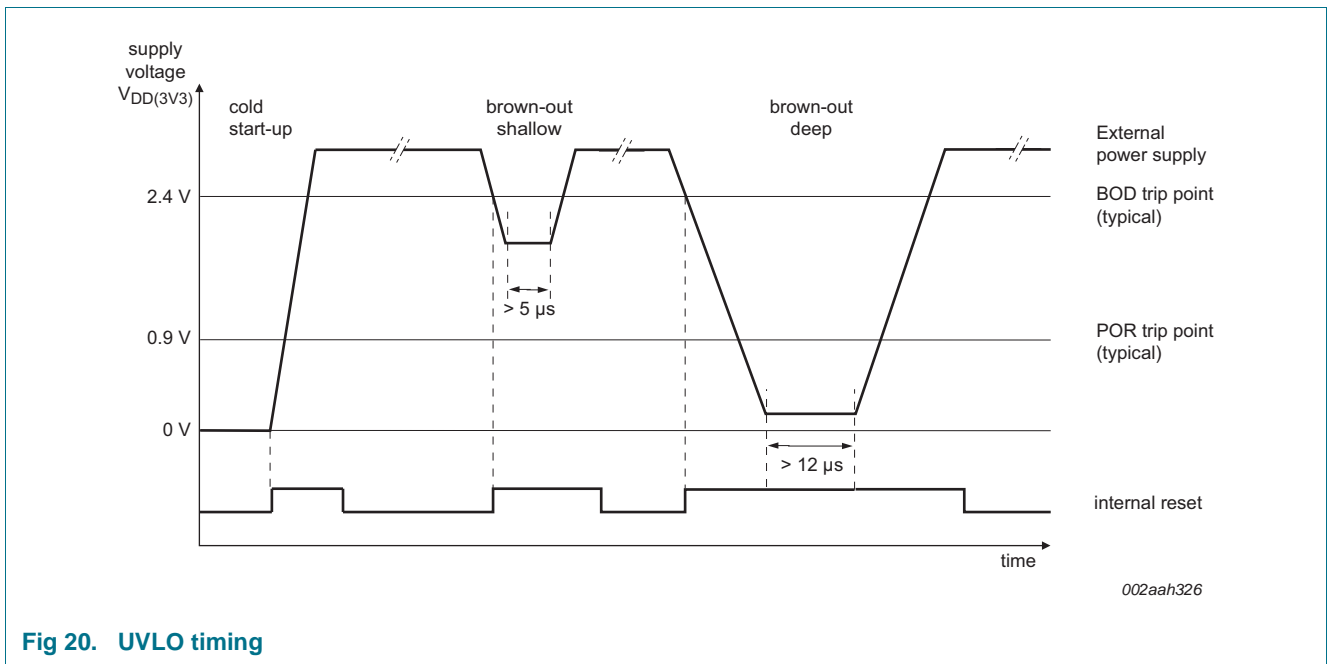
### 10.1 Power supply fluctuations

If the input voltage ( $V_{DD(3V3)}$ ) to the internal regulator fluctuates, the LPC11Axx is held in reset during a brown-out condition as long as the UVLO circuit is operating. The settling times of the BOD and POR circuits, which constitute the UVLO, determine the minimum time the supply level must remain in the shallow or deep brown-out condition to ensure that the internal reset is asserted properly.

See also [Section 7.23.1](#), [Section 12.7](#), and [Section 12.8](#).

**Table 8. UVLO circuits settling characteristics**

| Symbol | Parameter     | Conditions  | Min | Typ | Max | Unit          |
|--------|---------------|---|-----|-----|-----|---------------|
| $t_s$  | settling time | power droop:<br>from active level to shallow brown-out level<br>( $0.9\text{ V} \leq V_{DD(3V3)} \leq 2.4\text{ V}$ ) | 5   | -   | -   | $\mu\text{s}$ |
|        |               | from active level to deep brown-out level<br>( $0 < V_{DD(3V3)} < 0.9\text{ V}$ )                                     | 12  | -   | -   | $\mu\text{s}$ |



**Fig 20. UVLO timing**

### 10.2 Flash/EEPROM memory

**Table 9. Flash characteristics**

$T_{amb} = -40\text{ }^{\circ}\text{C}$  to  $+85\text{ }^{\circ}\text{C}$ . Based on JEDEC NVM qualification. Failure rate  $< 10\text{ ppm}$  for parts as specified below.

| Symbol     | Parameter | Conditions | Min                     | Typ    | Max | Unit   |
|------------|-----------|------------|-------------------------|--------|-----|--------|
| $N_{endu}$ | endurance |            | <a href="#">1</a> 10000 | 100000 | -   | cycles |

**Table 9. Flash characteristics**

$T_{amb} = -40\text{ }^{\circ}\text{C}$  to  $+85\text{ }^{\circ}\text{C}$ . Based on JEDEC NVM qualification. Failure rate < 10 ppm for parts as specified below.

| Symbol     | Parameter        | Conditions                             | Min      | Typ | Max  | Unit  |
|------------|------------------|--|----------|-----|------|-------|
| $t_{ret}$  | retention time   | powered                                | 10       | 20  | -    | years |
|            |                  | unpowered                              | 20       | 40  | -    | years |
| $t_{er}$   | erase time       | sector or multiple consecutive sectors | [2] 95   | 100 | 105  | ms    |
| $t_{prog}$ | programming time |  | [3] 0.95 | 1   | 1.05 | ms    |

[1] Number of program/erase cycles.

[2] Min and max values are valid for  $T_{amb} = -40\text{ }^{\circ}\text{C}$  to  $+85\text{ }^{\circ}\text{C}$  only.

[3] Programming times are given for writing 256 bytes to the flash. Data must be written to the flash in blocks of 256 bytes. Flash programming is accomplished via IAP calls (see *LPC11Axx user manual*). Execution time of IAP calls depends on the system clock and is typically between 1.5 and 2 ms per 256 bytes.

**Table 10. EEPROM characteristics**

$T_{amb} = -40\text{ }^{\circ}\text{C}$  to  $+85\text{ }^{\circ}\text{C}$ ;  $V_{DD(3V3)} = 2.7\text{ V}$  to  $3.6\text{ V}$ . Based on JEDEC NVM qualification. Failure rate < 10 ppm for parts as specified below.

| Symbol     | Parameter        | Conditions | Min    | Typ     | Max | Unit   |
|------------|------------------|------------|--------|---------|-----|--------|
| $N_{endu}$ | endurance        |            | 100000 | 1000000 | -   | cycles |
| $t_{ret}$  | retention time   | powered    | 100    | 200     | -   | years  |
|            |                  | unpowered  | 150    | 300     | -   | years  |
| $t_{prog}$ | programming time | 64 bytes   | -      | 1.1     | -   | ms     |

### 10.3 External clock for oscillator in slave mode

**Remark:** The input voltage on the XTALIN/XTALOUT pin must be  $\leq 1.95\text{ V}$  (see [Table 6](#)). For connecting the oscillator to the XTALIN/XTALOUT pins also see [Section 12.3](#).

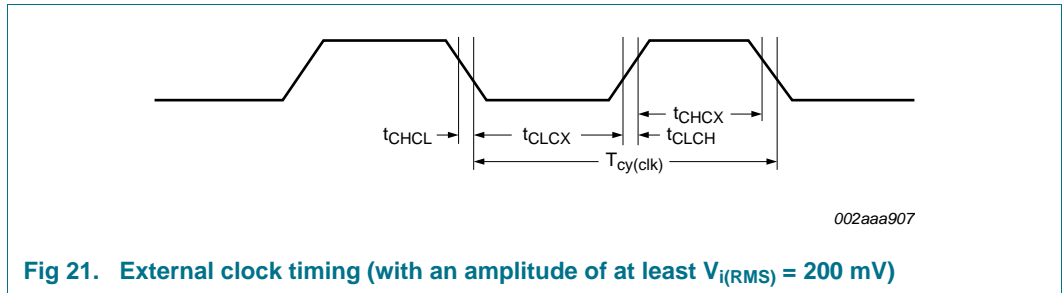
**Table 11. Dynamic characteristic: external clock (XTALIN pin)**

$T_{amb} = -40\text{ }^{\circ}\text{C}$  to  $+85\text{ }^{\circ}\text{C}$ ;  $V_{DD(3V3)}$  over specified ranges.[1]

| Symbol        | Parameter            | Conditions | Min                      | Typ[2] | Max  | Unit |
|---------------|----------------------|------------|--------------------------|--------|------|------|
| $f_{osc}$     | oscillator frequency |            | 1                        | -      | 25   | MHz  |
| $T_{cy(clk)}$ | clock cycle time     |            | 40                       | -      | 1000 | ns   |
| $t_{CHCX}$    | clock HIGH time      |            | $T_{cy(clk)} \times 0.4$ | -      | -    | ns   |
| $t_{CLCX}$    | clock LOW time       |            | $T_{cy(clk)} \times 0.4$ | -      | -    | ns   |
| $t_{CLCH}$    | clock rise time      |            | -                        | -      | 5    | ns   |
| $t_{CHCL}$    | clock fall time      |            | -                        | -      | 5    | ns   |

[1] Parameters are valid over operating temperature range unless otherwise specified.

[2] Typical ratings are not guaranteed. The values listed are at room temperature ( $25\text{ }^{\circ}\text{C}$ ), nominal supply voltages.



### 10.4 Internal oscillators

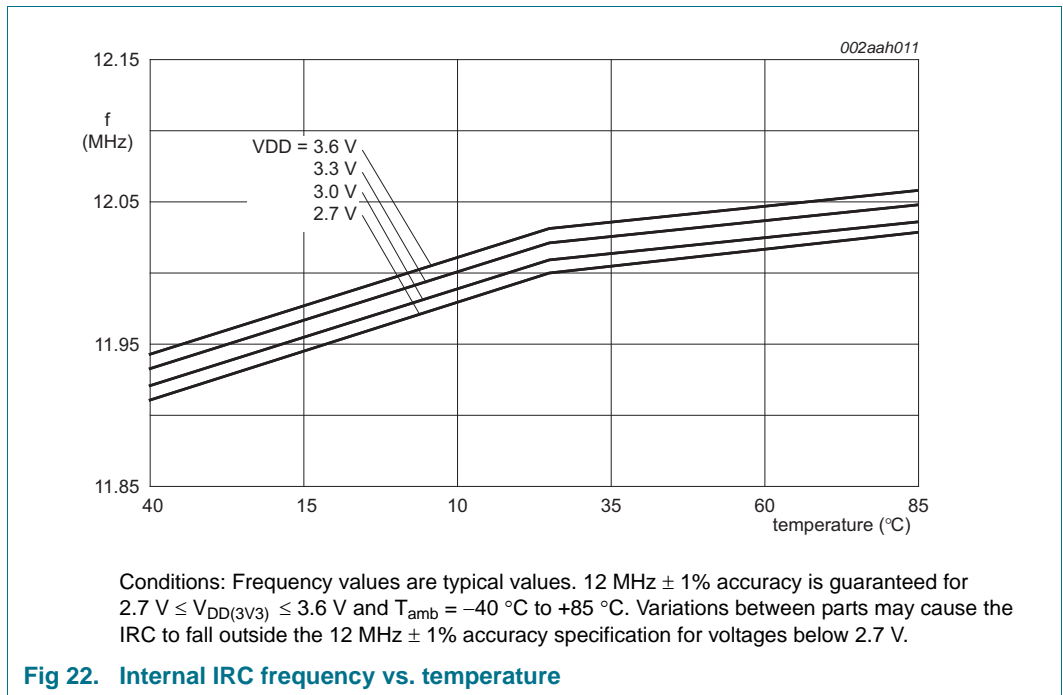
**Table 12. Dynamic characteristic: IRC**

$T_{amb} = -40\text{ }^{\circ}\text{C to } +85\text{ }^{\circ}\text{C}$ ;  $2.7\text{ V} \leq V_{DD(3V3)} \leq 3.6\text{ V}$  [1]

| Symbol        | Parameter                        | Conditions | Min   | Typ[2] | Max   | Unit |
|---------------|----------------------------------|------------|-------|--------|-------|------|
| $f_{osc(RC)}$ | internal RC oscillator frequency | -          | 11.88 | 12     | 12.12 | MHz  |

[1] Parameters are valid over operating temperature range unless otherwise specified.

[2] Typical ratings are not guaranteed. The values listed are at room temperature (25 °C), nominal supply voltages.



**Table 13. Dynamic characteristics: WDOsc and LFOsc**

| Symbol    | Parameter                     | Conditions   | Min      | Typ[1] | Max | Unit |
|-----------|-------------------------------|--|----------|--------|-----|------|
| $f_{osc}$ | internal oscillator frequency | DIVSEL = 0x1F, FREQSEL = 0x1 in the WDTOSCCTRL register; | [2][3] - | 9.4    | -   | kHz  |
|           |                               | DIVSEL = 0x00, FREQSEL = 0xF in the WDTOSCCTRL register  | [2][3] - | 2300   | -   | kHz  |

[1] Typical ratings are not guaranteed. The values listed are at room temperature (25 °C), nominal supply voltages.

- [2] The typical frequency spread over processing and temperature ( $T_{amb} = -40\text{ }^{\circ}\text{C}$  to  $+85\text{ }^{\circ}\text{C}$ ) is  $\pm 40\%$ .
- [3] See the LPC11Axx user manual.

## 10.5 I/O pins

**Table 14. Dynamic characteristic: digital I/O pins<sup>[1]</sup>**

$T_{amb} = -40\text{ }^{\circ}\text{C}$  to  $+85\text{ }^{\circ}\text{C}$ ;  $3.0\text{ V} \leq V_{DD(I/O)} \leq 3.6\text{ V}$ ; load capacitor =  $30\text{ pF}$ .

| Symbol | Parameter | Conditions               | Min        | Typ | Max | Unit |
|--------|-----------|--------------------------|------------|-----|-----|------|
| $t_r$  | rise time | pin configured as output |            |     |     |      |
|        |           | SSO = 1                  | [2][3] 2.5 | -   | 5.0 | ns   |
|        |           | SSO = 6                  | [2][3] 2.5 | -   | 4.5 | ns   |
|        |           | SSO = 16                 | [2][4] 3.0 | -   | 5.0 | ns   |
| $t_f$  | fall time | pin configured as output | [2][3]     |     |     |      |
|        |           | SSO = 1                  | 2.0        | -   | 4.5 | ns   |
|        |           | SSO = 6                  | [2][3] 2.0 | -   | 4.5 | ns   |
|        |           | SSO = 16                 | [2][4] 2.5 | -   | 5.0 | ns   |

- [1] Applies to standard port pins and  $\overline{\text{RESET}}$  pin. Simulated results.
- [2] SSO indicates maximum number of simultaneously switching digital output pins. The pins are optimized for half of the maximum SSO.
- [3] Set SLEW bit in the IOCON register to 1.
- [4] Set SLEW bit in the IOCON register to 0.

## 10.6 I<sup>2</sup>C-bus

**Remark:** All I<sup>2</sup>C modes (Standard-mode, Fast-mode, Fast-mode Plus) can be configured for the true open-drain pins PIO0\_2 and PIO0\_3. If the limited-performance I<sup>2</sup>C-bus pins are used (I<sup>2</sup>C-bus functions on standard I/O pins), only Standard-mode with internal pull-up enabled or Fast-mode with external pull-up resistor are supported.

**Table 15. Dynamic characteristic: I<sup>2</sup>C-bus pins<sup>[1]</sup>**

$T_{amb} = -40\text{ }^{\circ}\text{C}$  to  $+85\text{ }^{\circ}\text{C}$ .<sup>[2]</sup>

| Symbol    | Parameter                   | Conditions                               | Min                   | Max | Unit          |
|-----------|-----------------------------|--|-----------------------|-----|---------------|
| $f_{SCL}$ | SCL clock frequency         | Standard-mode                            | 0                     | 100 | kHz           |
|           |                             | Fast-mode                                | 0                     | 400 | kHz           |
|           |                             | Fast-mode Plus                           | 0                     | 1   | MHz           |
| $t_f$     | fall time                   | [4][5][6][7] of both SDA and SCL signals | -                     | 300 | ns            |
|           |                             | Standard-mode                            |                       |     |               |
|           |                             | Fast-mode                                | $20 + 0.1 \times C_b$ | 300 | ns            |
|           |                             | Fast-mode Plus                           | -                     | 120 | ns            |
| $t_{LOW}$ | LOW period of the SCL clock | Standard-mode                            | 4.7                   | -   | $\mu\text{s}$ |
|           |                             | Fast-mode                                | 1.3                   | -   | $\mu\text{s}$ |
|           |                             | Fast-mode Plus                           | 0.5                   | -   | $\mu\text{s}$ |

**Table 15. Dynamic characteristic: I<sup>2</sup>C-bus pins<sup>[1]</sup>** $T_{amb} = -40\text{ }^{\circ}\text{C}$  to  $+85\text{ }^{\circ}\text{C}$ .<sup>[2]</sup>

| Symbol              | Parameter                           | Conditions     | Min  | Max | Unit |
|---------------------|-------------------------------------|----------------|------|-----|------|
| t <sub>HIGH</sub>   | HIGH period of the SCL clock        | Standard-mode  | 4.0  | -   | μs   |
|                     |                                     | Fast-mode      | 0.6  | -   | μs   |
|                     |                                     | Fast-mode Plus | 0.26 | -   | μs   |
| t <sub>HD;DAT</sub> | data hold time <sup>[3][4][8]</sup> | Standard-mode  | 0    | -   | μs   |
|                     |                                     | Fast-mode      | 0    | -   | μs   |
|                     |                                     | Fast-mode Plus | 0    | -   | μs   |
| t <sub>SU;DAT</sub> | data set-up time <sup>[9][10]</sup> | Standard-mode  | 250  | -   | ns   |
|                     |                                     | Fast-mode      | 100  | -   | ns   |
|                     |                                     | Fast-mode Plus | 50   | -   | ns   |

[1] See the I<sup>2</sup>C-bus specification *UM10204* for details.

[2] Parameters are valid over operating temperature range unless otherwise specified.

[3] t<sub>HD;DAT</sub> is the data hold time that is measured from the falling edge of SCL; applies to data in transmission and the acknowledge.

[4] A device must internally provide a hold time of at least 300 ns for the SDA signal (with respect to the V<sub>IH(min)</sub> of the SCL signal) to bridge the undefined region of the falling edge of SCL.

[5] C<sub>b</sub> = total capacitance of one bus line in pF.

[6] The maximum t<sub>f</sub> for the SDA and SCL bus lines is specified at 300 ns. The maximum fall time for the SDA output stage t<sub>f</sub> is specified at 250 ns. This allows series protection resistors to be connected in between the SDA and the SCL pins and the SDA/SCL bus lines without exceeding the maximum specified t<sub>f</sub>.

[7] In Fast-mode Plus, fall time is specified the same for both output stage and bus timing. If series resistors are used, designers should allow for this when considering bus timing.

[8] The maximum t<sub>HD;DAT</sub> could be 3.45 μs and 0.9 μs for Standard-mode and Fast-mode but must be less than the maximum of t<sub>VD;DAT</sub> or t<sub>VD;ACK</sub> by a transition time (see *UM10204*). This maximum must only be met if the device does not stretch the LOW period (t<sub>LOW</sub>) of the SCL signal. If the clock stretches the SCL, the data must be valid by the set-up time before it releases the clock.

[9] t<sub>SU;DAT</sub> is the data set-up time that is measured with respect to the rising edge of SCL; applies to data in transmission and the acknowledge.

[10] A Fast-mode I<sup>2</sup>C-bus device can be used in a Standard-mode I<sup>2</sup>C-bus system but the requirement t<sub>SU;DAT</sub> = 250 ns must then be met. This will automatically be the case if the device does not stretch the LOW period of the SCL signal. If such a device does stretch the LOW period of the SCL signal, it must output the next data bit to the SDA line t<sub>r(max)</sub> + t<sub>SU;DAT</sub> = 1000 + 250 = 1250 ns (according to the Standard-mode I<sup>2</sup>C-bus specification) before the SCL line is released. Also the acknowledge timing must meet this set-up time.

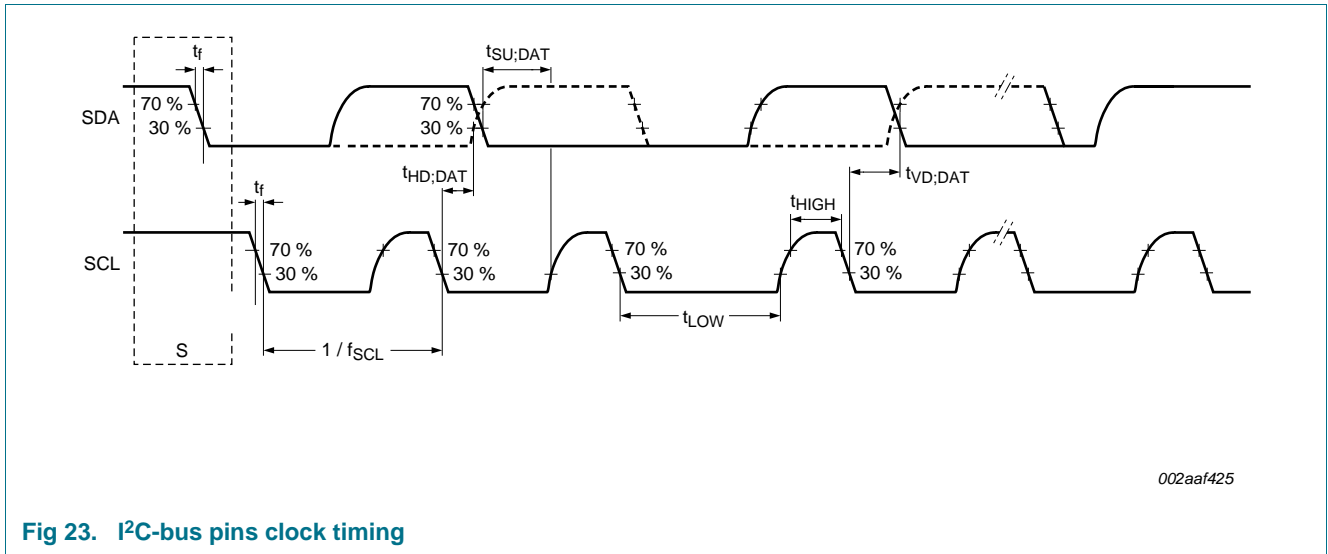


Fig 23. I<sup>2</sup>C-bus pins clock timing

### 10.7 SSP interfaces

Table 16. Dynamic characteristics of SSP pins in SPI mode

2.6 V ≤ V<sub>DD(3V3)</sub> = V<sub>DD(I/O)</sub> ≤ 3.6 V.

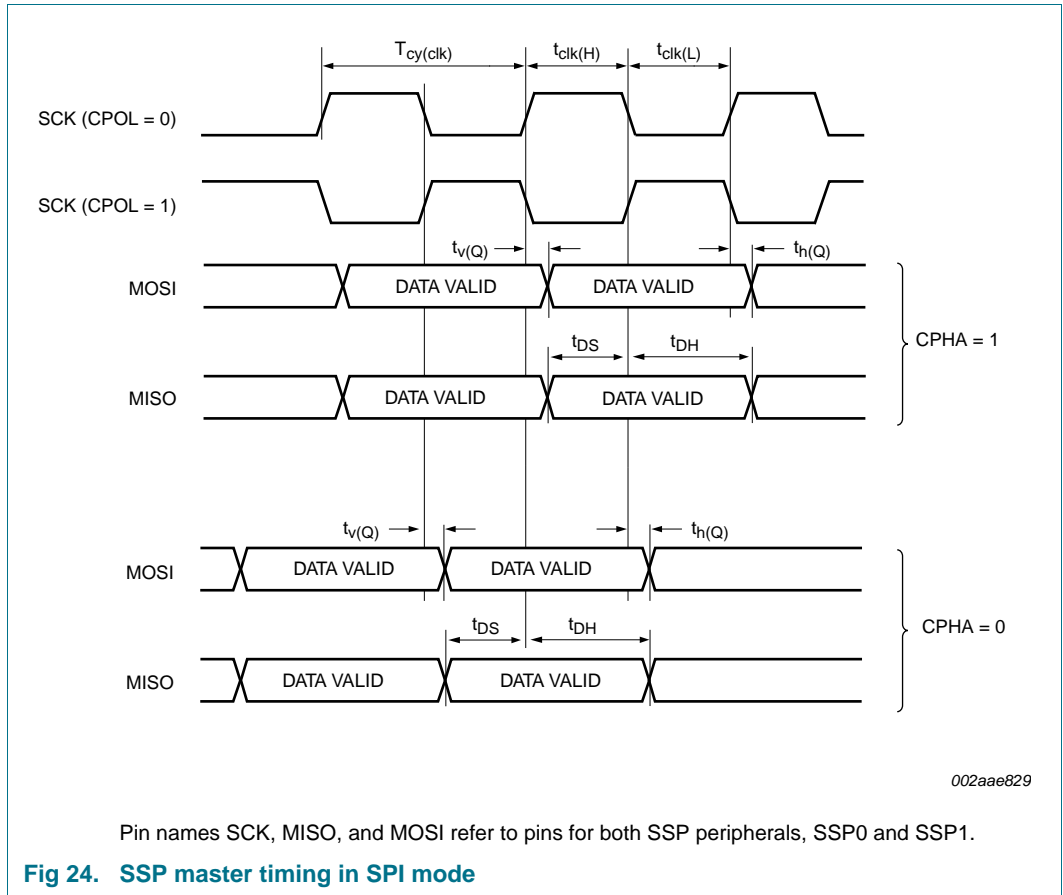
| Symbol                          | Parameter              | Conditions             | Min    | Typ                           | Max | Unit                           |    |
|---------------------------------|------------------------|------------------------|--------|-------------------------------|-----|--------------------------------|----|
| <b>SPI master (in SPI mode)</b> |                        |                        |        |                               |     |                                |    |
| T <sub>cy(clk)</sub>            | clock cycle time       | full-duplex mode       | [1]    | 50                            | -   | -                              | ns |
|                                 |                        | when only transmitting | [1]    | 40                            | -   | -                              | ns |
| t <sub>DS</sub>                 | data set-up time       | in SPI mode            | [2]    | 15                            | -   | -                              | ns |
| t <sub>DH</sub>                 | data hold time         | in SPI mode            | [2]    | 0                             | -   | -                              | ns |
| t <sub>v(Q)</sub>               | data output valid time | in SPI mode            | [2]    | -                             | -   | 10                             | ns |
| t <sub>h(Q)</sub>               | data output hold time  | in SPI mode            | [2]    | 0                             | -   | -                              | ns |
| <b>SPI slave (in SPI mode)</b>  |                        |                        |        |                               |     |                                |    |
| T <sub>cy(PCLK)</sub>           | PCLK cycle time        |                        |        | 20                            | -   | -                              | ns |
| t <sub>DS</sub>                 | data set-up time       | in SPI mode            | [3][4] | 0                             | -   | -                              | ns |
| t <sub>DH</sub>                 | data hold time         | in SPI mode            | [3][4] | 3 × T <sub>cy(PCLK)</sub> + 4 | -   | -                              | ns |
| t <sub>v(Q)</sub>               | data output valid time | in SPI mode            | [3][4] | -                             | -   | 3 × T <sub>cy(PCLK)</sub> + 11 | ns |
| t <sub>h(Q)</sub>               | data output hold time  | in SPI mode            | [3][4] | -                             | -   | 2 × T <sub>cy(PCLK)</sub> + 5  | ns |

[1] T<sub>cy(clk)</sub> = (SSPCLKDIV × (1 + SCR) × CPSDVSR) / f<sub>main</sub>. The clock cycle time derived from the SPI bit rate T<sub>cy(clk)</sub> is a function of the main clock frequency f<sub>main</sub>, the SPI peripheral clock divider (SSPCLKDIV), the SPI SCR parameter (specified in the SSP0CR0 register), and the SPI CPSDVSR parameter (specified in the SPI clock prescale register).

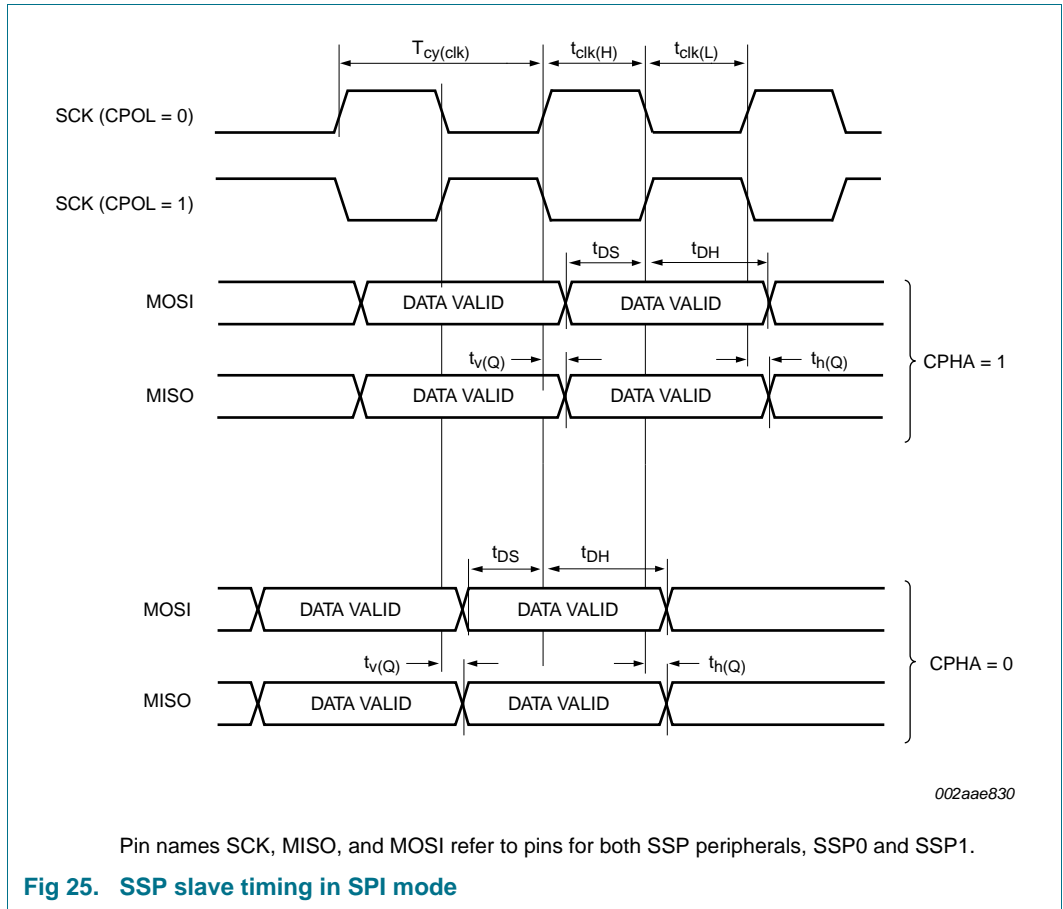
[2] T<sub>amb</sub> = -40 °C to 85 °C.

[3] T<sub>cy(clk)</sub> = 12 × T<sub>cy(PCLK)</sub>.

[4] T<sub>amb</sub> = 25 °C; for normal voltage supply range: V<sub>DD(I/O)</sub> = v<sub>dd(3v3)</sub> = 3.3 V.







## 11. Characteristics of analog peripherals

**Table 17. BOD static characteristics<sup>[1]</sup>**

$T_{amb} = 25\text{ }^{\circ}\text{C}$ .

| Symbol   | Parameter         | Conditions        | Min | Typ  | Max | Unit |
|----------|-------------------|-------------------|-----|------|-----|------|
| $V_{th}$ | threshold voltage | interrupt level 2 |     |      |     |      |
|          |                   | assertion         | -   | 2.52 | -   | V    |
|          |                   | de-assertion      | -   | 2.66 | -   | V    |
|          |                   | interrupt level 3 |     |      |     |      |
|          |                   | assertion         | -   | 2.80 | -   | V    |
|          |                   | de-assertion      | -   | 2.90 | -   | V    |

[1] Interrupt levels are selected by writing the level value to the BOD control register BODCTRL, see *LPC11Axx user manual*.

**Table 18. ADC static characteristics**

$T_{amb} = -40\text{ }^{\circ}\text{C}$  to  $+85\text{ }^{\circ}\text{C}$  unless otherwise specified; ADC frequency 4.5 MHz,  $V_{DD(3V3)} = 2.7\text{ V}$  to  $3.6\text{ V}$ ;  $V_{SS} = 0\text{ V}$ .

| Symbol        | Parameter                    | Conditions | Min | Typ | Max           | Unit      |
|---------------|------------------------------|------------|-----|-----|---------------|-----------|
| $V_{IA}$      | analog input voltage         |            | 0   | -   | $V_{DD(3V3)}$ | V         |
| $C_{ia}$      | analog input capacitance     |            | -   | -   | 4             | pF        |
| $E_D$         | differential linearity error | [1][2]     | -   | -   | $\pm 1$       | LSB       |
| $E_{L(adj)}$  | integral non-linearity       | [3]        | -   | -   | $\pm 1.5$     | LSB       |
| $E_O$         | offset error                 | [4]        | -   | -   | $\pm 20$      | mV        |
| $V_{err(FS)}$ | full-scale error voltage     | [5]        | -   | -   | $\pm 20$      | mV        |
| $E_T$         | absolute error               | [6]        | -   | -   | $\pm 4$       | LSB       |
| $R_i$         | input resistance             | [7][8]     | -   | -   | 2.5           | $M\Omega$ |

[1] The ADC is monotonic, there are no missing codes.

[2] The differential linearity error ( $E_D$ ) is the difference between the actual step width and the ideal step width. See [Figure 26](#).

[3] The integral non-linearity ( $E_{L(adj)}$ ) is the peak difference between the center of the steps of the actual and the ideal transfer curve after appropriate adjustment of gain and offset errors. See [Figure 26](#).

[4] The offset error ( $E_O$ ) is the absolute difference between the straight line which fits the actual curve and the straight line which fits the ideal curve. See [Figure 26](#).

[5] The full-scale error voltage or gain error ( $E_G$ ) is the difference between the straight line fitting the actual transfer curve after removing offset error, and the straight line which fits the ideal transfer curve. See [Figure 26](#).

[6] The absolute error ( $E_T$ ) is the maximum difference between the center of the steps of the actual transfer curve of the non-calibrated ADC and the ideal transfer curve. See [Figure 26](#).

[7]  $T_{amb} = 25\text{ }^{\circ}\text{C}$ ; maximum sampling frequency  $f_s = 400\text{ kSamples/s}$  and analog input capacitance  $C_{ia} = 1\text{ pF}$ .

[8] Input resistance  $R_i$  depends on the sampling frequency  $f_s$ :  $R_i = 1 / (f_s \times C_{ia})$ .

**Table 19. DAC static and dynamic characteristics**

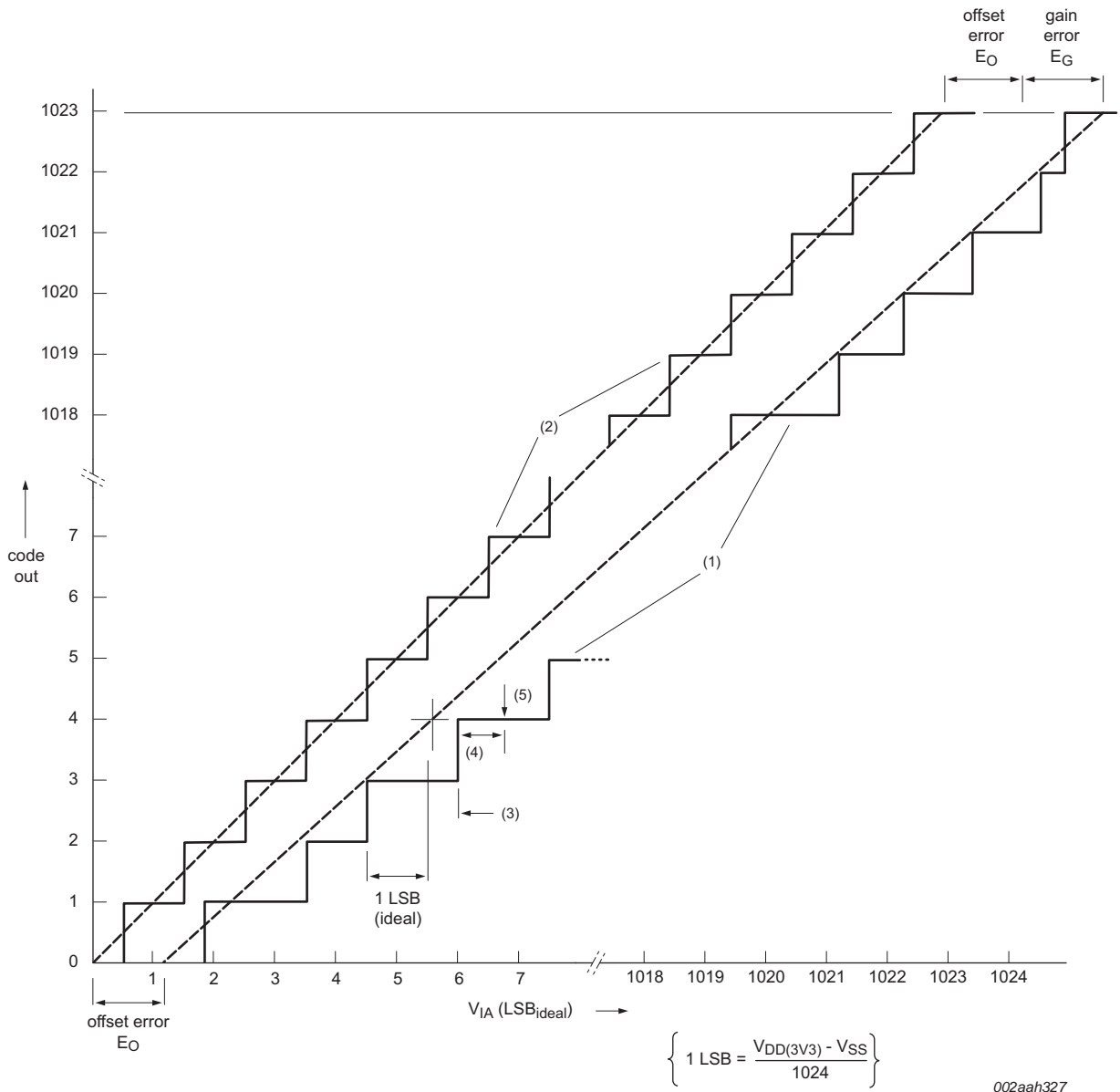
$V_{DD(3V3)} = 2.7\text{ V to }3.6\text{ V}$ ;  $T_{amb} = -40\text{ }^{\circ}\text{C to }+85\text{ }^{\circ}\text{C}$  unless otherwise specified

| Symbol       | Parameter                    | Conditions  | Min   | Typ | Max                   | Unit          |
|--------------|------------------------------|---|-------|-----|-----------------------|---------------|
| $E_D$        | differential linearity error |   | -     | -   | $\pm 1$               | LSB           |
| $E_{L(adj)}$ | integral non-linearity       |   | -     | -   | $\pm 1.5$             | LSB           |
| $E_O$        | offset error                 |   | -     | -   | 0.6                   | %             |
| $E_G$        | gain error                   |   | -     | -   | 0.6                   | %             |
| $C_L$        | load capacitance             |   | -     | -   | 200                   | pF            |
| $R_L$        | load resistance              |   | 1     | -   | -                     | k $\Omega$    |
| $R_O$        | output resistance            |   | [1]   | -   | < 40                  | $\Omega$      |
| $f_{c(DAC)}$ | DAC conversion frequency     |   | -     | 0.4 | 1                     | MHz           |
| $t_s$        | settling time                |   | -     | -   | 1                     | $\mu\text{s}$ |
| $V_O$        | output voltage               | Output voltage range with less than 1 LSB deviation; with minimum $R_L$ connected to ground or power supply | 0.3   | -   | $V_{DD(3V3)} - 0.3$   | V             |
|              |                              | with minimum $R_L$ connected to ground or power supply  | 0.175 | -   | $V_{DD(3V3)} - 0.175$ | V             |

[1] Measured on typical samples.

**Table 20. DAC sampling frequency range and power consumption**

| Bias bit | Maximum current   | DAC sampling frequency range |
|----------|-------------------|------------------------------|
| 0        | 700 $\mu\text{A}$ | 0 MHz to 1 MHz               |
| 1        | 350 $\mu\text{A}$ | 0 MHz to 400 kHz             |



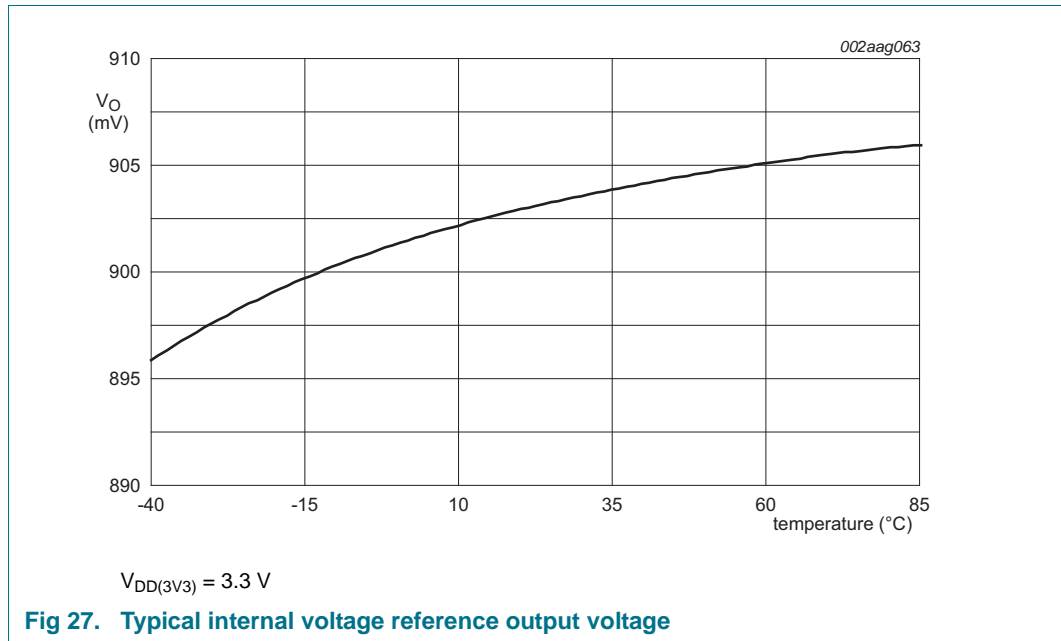
- (1) Example of an actual transfer curve.
- (2) The ideal transfer curve.
- (3) Differential linearity error ( $E_D$ ).
- (4) Integral non-linearity ( $E_{L(adj)}$ ).
- (5) Center of a step of the actual transfer curve.

**Fig 26. ADC characteristics**

**Table 21. Internal voltage reference static and dynamic characteristics**

| Symbol         | Parameter      | Conditions                          | Min       | Typ   | Max   | Unit |
|----------------|----------------|-------------------------------------|-----------|-------|-------|------|
| V <sub>O</sub> | output voltage | T <sub>amb</sub> = -40 °C to +85 °C | [1] 0.855 | 0.900 | 0.945 | V    |
|                |                | T <sub>amb</sub> = 70 °C to 85 °C   | [2] -     | 0.906 | -     | V    |
|                |                | T <sub>amb</sub> = 50 °C            | [2] -     | 0.905 | -     | V    |
|                |                | T <sub>amb</sub> = 25 °C            | [3] 0.893 | 0.903 | 0.913 | V    |
|                |                | T <sub>amb</sub> = 0 °C             | [2] -     | 0.902 | -     | V    |
|                |                | T <sub>amb</sub> = -20 °C           | [2] -     | 0.899 | -     | V    |
|                |                | T <sub>amb</sub> = -40 °C           | [2] -     | 0.896 | -     | V    |

- [1] Characterized through simulation.
- [2] Characterized on a typical silicon sample.
- [3] Measured over process variations.



**Fig 27. Typical internal voltage reference output voltage**

**Table 22. Temperature sensor static and dynamic characteristics**

V<sub>DD(3V3)</sub> = 2.6 V to 3.6 V

| Symbol             | Parameter                   | Conditions                                | Min      | Typ | Max  | Unit |
|--------------------|-----------------------------|---|----------|-----|------|------|
| DT <sub>sen</sub>  | sensor temperature accuracy | T <sub>amb</sub> = -40 °C to +85 °C       | [1] -    | -   | ±3   | °C   |
| E <sub>L</sub>     | linearity error             | T <sub>amb</sub> = -40 °C to +85 °C       | -        | -   | ±1.1 | °C   |
| t <sub>s(pu)</sub> | power-up settling time      | to 99% of temperature sensor output value | [2] -    | 81  | 85   | µs   |
| t <sub>s(sw)</sub> | switching settling time     | to 99% of temperature sensor output value | [2][3] - | 1.5 | 2    | µs   |

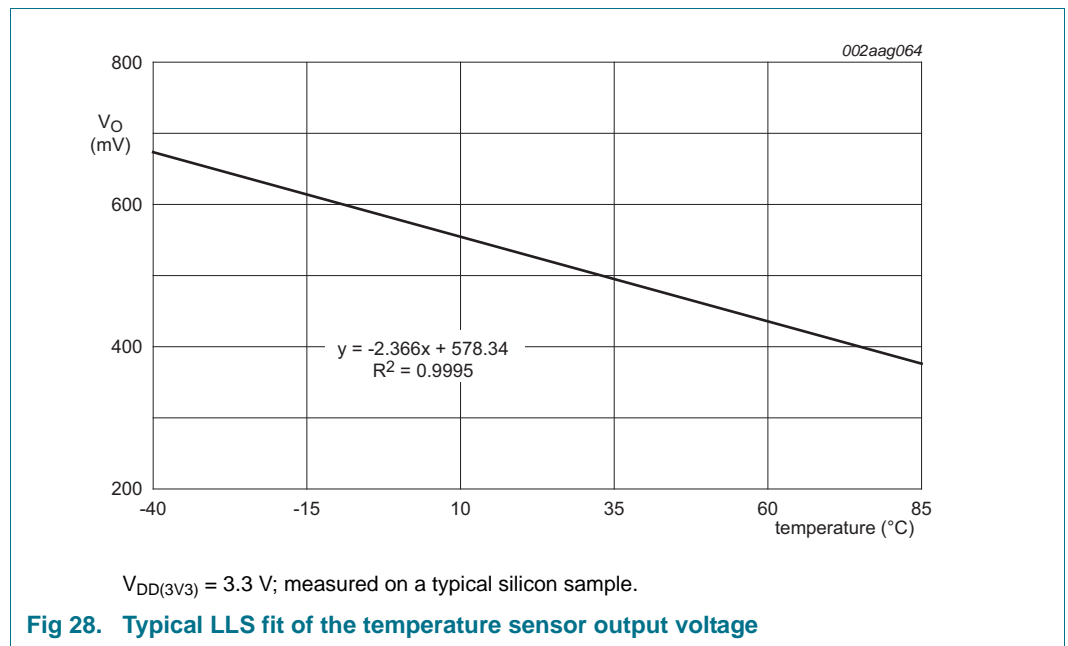
- [1] Absolute temperature accuracy.
- [2] Typical values are derived from nominal simulation (V<sub>DD(3V3)</sub> = 3.3 V; T<sub>amb</sub> = 27 °C; nominal process models). Maximum values are derived from worst case simulation (V<sub>DD(3V3)</sub> = 2.6 V; T<sub>amb</sub> = 85 °C; slow process models).

[3] Settling time applies to switching between comparator and ADC channels.

**Table 23. Temperature sensor Linear-Least-Square (LLS) fit parameters**

$V_{DD(3V3)} = 2.6\text{ V to }3.6\text{ V}$

| Fit parameter | Range  | Min | Typ   | Max | Unit  |
|---------------|--|-----|-------|-----|-------|
| LLS slope     | $T_{amb} = 0\text{ }^{\circ}\text{C to }85\text{ }^{\circ}\text{C}$    | -   | -2.36 | -   | mV/°C |
|               | $T_{amb} = -40\text{ }^{\circ}\text{C to }+85\text{ }^{\circ}\text{C}$ | -   | -2.36 | -   | mV/°C |
| LLS intercept | $T_{amb} = 0\text{ }^{\circ}\text{C to }85\text{ }^{\circ}\text{C}$    | -   | 577   | -   | mV    |
|               | $T_{amb} = -40\text{ }^{\circ}\text{C to }+85\text{ }^{\circ}\text{C}$ | -   | 576   | -   | mV    |



**Table 24. Comparator characteristics**

$V_{DD(3V3)} = 3.0\text{ V}$  and  $T_{amb} = 25\text{ °C}$  unless noted otherwise.

| Symbol                         | Parameter                 | Conditions   | Min | Typ        | Max           | Unit             |    |
|--------------------------------|---------------------------|--|-----|------------|---------------|------------------|----|
| <b>Static characteristics</b>  |                           |  |     |            |               |                  |    |
| $I_{DD}$                       | supply current            |  | -   | 55         | -             | $\mu\text{A}$    |    |
| $V_{IC}$                       | common-mode input voltage |  | 0   | -          | $V_{DD(3V3)}$ | V                |    |
| $DV_O$                         | output voltage variation  |  | 0   | -          | $V_{DD(3V3)}$ | V                |    |
| $V_{offset}$                   | offset voltage            | $V_{IC} = 0.1\text{ V}$  | -   | -4 to +4.2 | -             | mV               |    |
|                                |                           | $V_{IC} = 1.5\text{ V}$  | -   | $\pm 2$    | -             | mV               |    |
|                                |                           | $V_{IC} = 2.8\text{ V}$  | -   | $\pm 2.5$  | -             | mV               |    |
| <b>Dynamic characteristics</b> |                           |  |     |            |               |                  |    |
| $t_{startup}$                  | start-up time             | nominal process  | -   | 4          | -             | $\mu\text{s}$    |    |
| $t_{PD}$                       | propagation delay         | HIGH to LOW; $V_{DD(3V3)} = 3.3\text{ V}$ ;<br>$V_{IC} = 0.1\text{ V}$ ; 50 mV overdrive input | [1] | 122        | 130           | 142              | ns |
|                                |                           | $V_{IC} = 0.1\text{ V}$ ; rail-to-rail input   | [1] | 173        | 189           | 233              | ns |
|                                |                           | $V_{IC} = 1.5\text{ V}$ ; 50 mV overdrive input  | [1] | 101        | 108           | 119              | ns |
|                                |                           | $V_{IC} = 1.5\text{ V}$ ; rail-to-rail input   | [1] | 114        | 127           | 162              | ns |
|                                |                           | $V_{IC} = 2.9\text{ V}$ ; 50 mV overdrive input  | [1] | 123        | 134           | 143              | ns |
|                                |                           | $V_{IC} = 2.9\text{ V}$ ; rail-to-rail input   | [1] | 79         | 91            | 120              | ns |
| $t_{PD}$                       | propagation delay         | LOW to HIGH; $V_{DD(3V3)} = 3.3\text{ V}$ ;<br>$V_{IC} = 0.1\text{ V}$ ; 50 mV overdrive input | [1] | 221        | 232           | 254              | ns |
|                                |                           | $V_{IC} = 0.1\text{ V}$ ; rail-to-rail input   | [1] | 59         | 63            | 68               | ns |
|                                |                           | $V_{IC} = 1.5\text{ V}$ ; 50 mV overdrive input  | [1] | 183        | 229           | 249              | ns |
|                                |                           | $V_{IC} = 1.5\text{ V}$ ; rail-to-rail input   | [1] | 147        | 174           | 213              | ns |
|                                |                           | $V_{IC} = 2.9\text{ V}$ ; 50 mV overdrive input  | [1] | 171        | 192           | 216              | ns |
|                                |                           | $V_{IC} = 2.9\text{ V}$ ; rail-to-rail input   | [1] | 235        | 305           | 450              | ns |
| $V_{hys}$                      | hysteresis voltage        | positive hysteresis; $V_{DD(3V3)} = 3.0\text{ V}$ ;<br>$V_{IC} = 1.5\text{ V}$                 | [2] | -          | 5, 10, 20     | -                | mV |
| $V_{hys}$                      | hysteresis voltage        | negative hysteresis; $V_{DD(3V3)} = 3.0\text{ V}$ ;<br>$V_{IC} = 1.5\text{ V}$                 | [2] | -          | 5, 10, 20     | -                | mV |
| $R_{lad}$                      | ladder resistance         | -  | -   | 1.034      | -             | $\text{M}\Omega$ |    |

[1]  $C_L = 10\text{ pF}$ ; results from measurements on silicon samples over process corners and over the full temperature range  $T_{amb} = -40\text{ °C}$  to  $+85\text{ °C}$ .

[2] Input hysteresis is relative to the reference input channel and is software programmable.

**Table 25. Comparator voltage ladder dynamic characteristics**

| Symbol      | Parameter               | Conditions                            | Min          | Typ | Max | Unit    |
|-------------|-------------------------|---------------------------------------|--------------|-----|-----|---------|
| $t_{s(pu)}$ | power-up settling time  | to 99% of voltage ladder output value | [1] -        | -   | 30  | $\mu$ s |
| $t_{s(sw)}$ | switching settling time | to 99% of voltage ladder output value | [1] -<br>[2] | -   | 15  | $\mu$ s |

[1] Maximum values are derived from worst case simulation ( $V_{DD(3V3)} = 2.6$  V;  $T_{amb} = 85$  °C; slow process models).

[2] Settling time applies to switching between comparator and ADC channels.

**Table 26. Comparator voltage ladder reference static characteristics**

$V_{DD(3V3)} = 3.3$  V;  $T_{amb} = -40$  °C to  $+85$  °C.

| Symbol     | Parameter            | Conditions                    | Min   | Typ  | Max[1] | Unit |
|------------|----------------------|-------------------------------|-------|------|--------|------|
| $E_{V(O)}$ | output voltage error | Internal $V_{DD(3V3)}$ supply |       |      |        |      |
|            |                      | decimal code = 00             | 0     | 0    | 0      | %    |
|            |                      | decimal code = 08             | -0.45 | -0.5 | -0.55  | %    |
|            |                      | decimal code = 16             | -0.99 | -1.1 | -1.21  | %    |
|            |                      | decimal code = 24             | -1.26 | -1.4 | -1.54  | %    |
|            |                      | decimal code = 30             | -1.35 | -1.5 | -1.65  | %    |
| $E_{V(O)}$ | output voltage error | External VDDCMP supply        |       |      |        |      |
|            |                      | decimal code = 00             | 0     | 0    | 0      | %    |
|            |                      | decimal code = 08             | 0.44  | 0.4  | 0.36   | %    |
|            |                      | decimal code = 16             | -0.18 | -0.2 | -0.22  | %    |
|            |                      | decimal code = 24             | -0.45 | -0.5 | -0.55  | %    |
|            |                      | decimal code = 30             | -0.54 | -0.6 | -0.66  | %    |
|            |                      | decimal code = 31             | -0.45 | -0.5 | -0.55  | %    |

[1] Measured on typical silicon samples with a 2 kHz input signal and overdrive < 100  $\mu$ V. Power switched off to all analog peripherals except the comparator.



## 12. Application information

### 12.1 ADC usage notes

The following guidelines show how to increase the performance of the ADC in a noisy environment beyond the ADC specifications listed in [Table 18](#):

- The ADC input trace must be short and as close as possible to the LPC11Axx chip.
- The ADC input traces must be shielded from fast switching digital signals and noisy power supply lines.
- Because the ADC and the digital core share the same power supply, the power supply line must be adequately filtered.
- To improve the ADC performance in a very noisy environment, put the device in Sleep mode during the ADC conversion.

### 12.2 Use of ADC input trigger signals

For applications that use trigger signals to start conversions and require a precise sample frequency, ensure that the period of the trigger signal is an integral multiple of the period of the ADC clock.

### 12.3 XTAL input

The input voltage to the on-chip oscillators is limited to 1.8 V. If the oscillator is driven by a clock in slave mode, it is recommended that the input be coupled through a capacitor with  $C_i = 100$  pF. To limit the input voltage to the specified range, choose an additional capacitor to ground  $C_g$  which attenuates the input voltage by a factor  $C_i / (C_i + C_g)$ . In slave mode, a minimum of 200 mV(RMS) is needed.

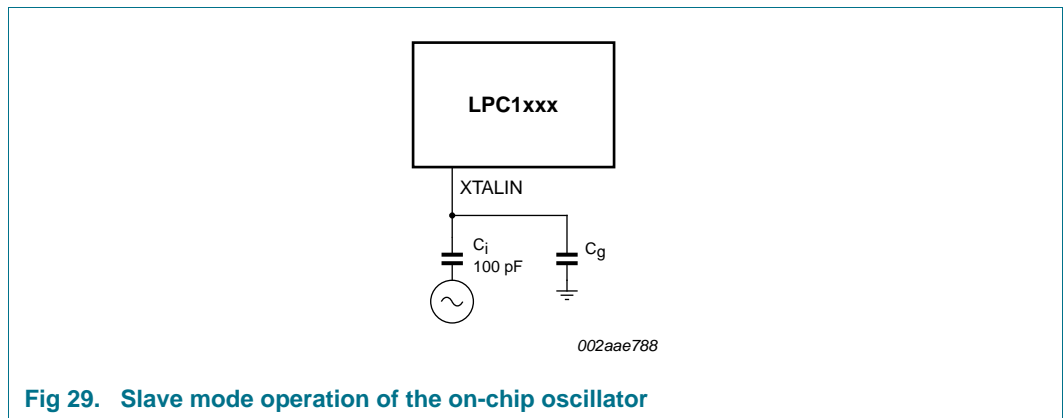
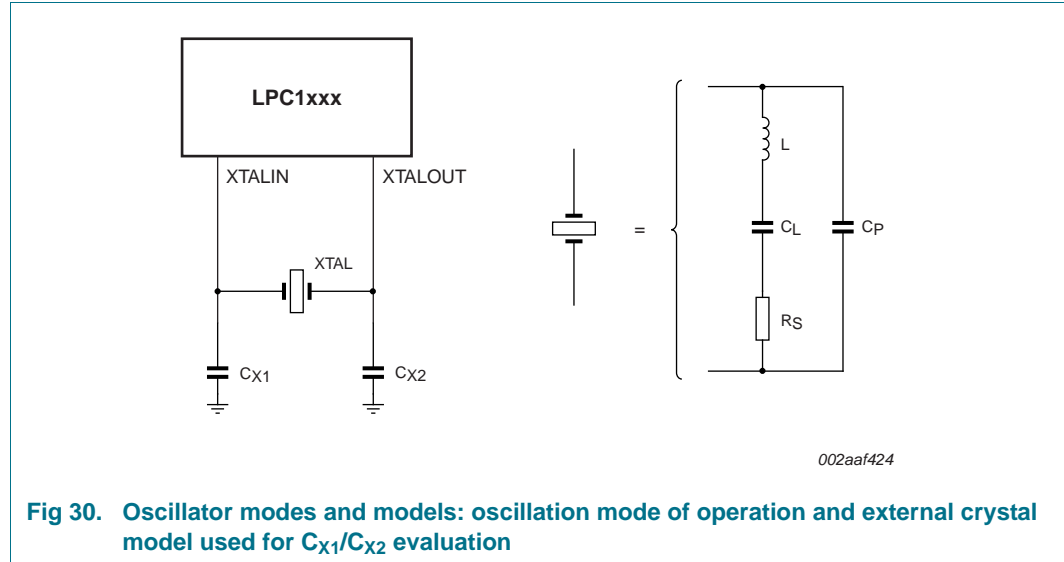


Fig 29. Slave mode operation of the on-chip oscillator

In slave mode the input clock signal should be coupled by means of a capacitor of 100 pF ([Figure 29](#)), with an amplitude between 200 mV (RMS) and 1000 mV (RMS). This corresponds to a square wave signal with a signal swing of between 280 mV and 1.4 V. The XTALOUT pin in this configuration can be left unconnected.

External components and models used in oscillation mode are shown in [Figure 30](#) and in [Table 27](#) and [Table 28](#). Since the feedback resistance is integrated on chip, only a crystal and the capacitances  $C_{X1}$  and  $C_{X2}$  need to be connected externally in case of fundamental mode oscillation (the fundamental frequency is represented by  $L$ ,  $C_L$  and

$R_S$ ). Capacitance  $C_P$  in [Figure 30](#) represents the parallel package capacitance and should not be larger than 7 pF. Parameters  $F_{OSC}$ ,  $C_L$ ,  $R_S$  and  $C_P$  are supplied by the crystal manufacturer (see [Table 27](#)).



**Fig 30. Oscillator modes and models: oscillation mode of operation and external crystal model used for  $C_{X1}/C_{X2}$  evaluation**

**Table 27. Recommended values for  $C_{X1}/C_{X2}$  in oscillation mode (crystal and external components parameters) low frequency mode**

| Fundamental oscillation frequency $F_{OSC}$ | Crystal load capacitance $C_L$ | Maximum crystal series resistance $R_S$ | External load capacitors $C_{X1}, C_{X2}$ |
|---|--------------------------------|---|---|
| 1 MHz - 5 MHz                               | 10 pF                          | < 300 $\Omega$                          | 18 pF, 18 pF                              |
|   | 20 pF                          | < 300 $\Omega$                          | 39 pF, 39 pF                              |
|   | 30 pF                          | < 300 $\Omega$                          | 57 pF, 57 pF                              |
| 5 MHz - 10 MHz                              | 10 pF                          | < 300 $\Omega$                          | 18 pF, 18 pF                              |
|   | 20 pF                          | < 200 $\Omega$                          | 39 pF, 39 pF                              |
|   | 30 pF                          | < 100 $\Omega$                          | 57 pF, 57 pF                              |
| 10 MHz - 15 MHz                             | 10 pF                          | < 160 $\Omega$                          | 18 pF, 18 pF                              |
|   | 20 pF                          | < 60 $\Omega$                           | 39 pF, 39 pF                              |
| 15 MHz - 20 MHz                             | 10 pF                          | < 80 $\Omega$                           | 18 pF, 18 pF                              |

**Table 28. Recommended values for  $C_{X1}/C_{X2}$  in oscillation mode (crystal and external components parameters) high frequency mode**

| Fundamental oscillation frequency $F_{OSC}$ | Crystal load capacitance $C_L$ | Maximum crystal series resistance $R_S$ | External load capacitors $C_{X1}, C_{X2}$ |
|---|--------------------------------|---|---|
| 15 MHz - 20 MHz                             | 10 pF                          | < 180 $\Omega$                          | 18 pF, 18 pF                              |
|   | 20 pF                          | < 100 $\Omega$                          | 39 pF, 39 pF                              |
| 20 MHz - 25 MHz                             | 10 pF                          | < 160 $\Omega$                          | 18 pF, 18 pF                              |
|   | 20 pF                          | < 80 $\Omega$                           | 39 pF, 39 pF                              |

### 12.4 XTAL Printed Circuit Board (PCB) layout guidelines

The crystal should be connected on the PCB as close as possible to the oscillator input and output pins of the chip. Take care that the load capacitors  $C_{x1}$ ,  $C_{x2}$ , and  $C_{x3}$  in case of third overtone crystal usage have a common ground plane. The external components must also be connected to the ground plain. Loops must be made as small as possible in order to keep the noise coupled in via the PCB as small as possible. Also parasitics should stay as small as possible. Values of  $C_{x1}$  and  $C_{x2}$  should be chosen smaller accordingly to the increase in parasitics of the PCB layout.

### 12.5 Standard I/O pad configuration

Figure 31 shows the possible pin modes for standard I/O pins with analog input function:

- Digital output driver with configurable open-drain output
- Digital input: Pull-up enabled/disabled
- Digital input: Pull-down enabled/disabled
- Digital input: Repeater mode enabled/disabled
- Digital input: Input glitch filter selectable on 17 pins.
- Analog input

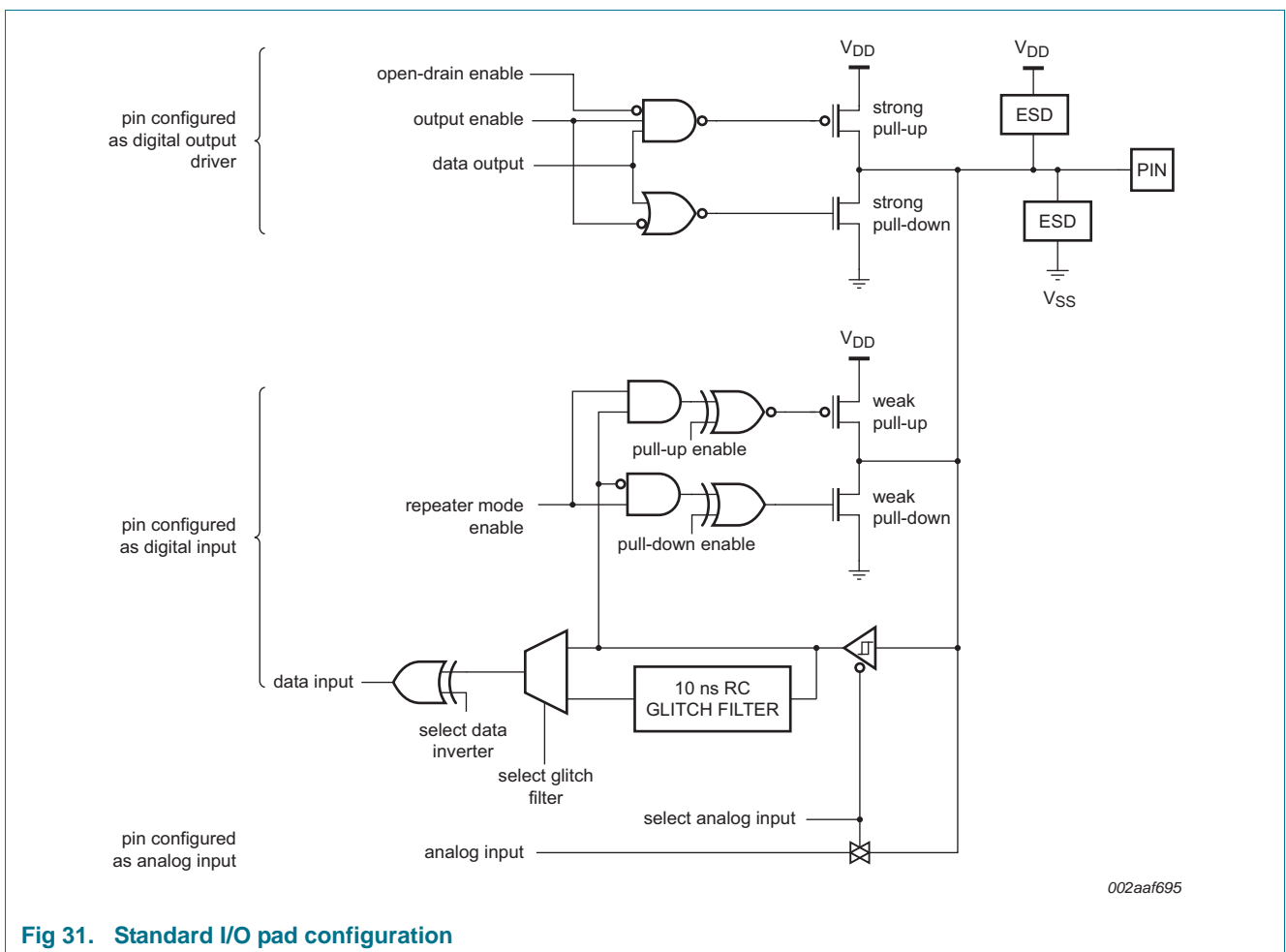


Fig 31. Standard I/O pad configuration

12.6 Reset pad configuration

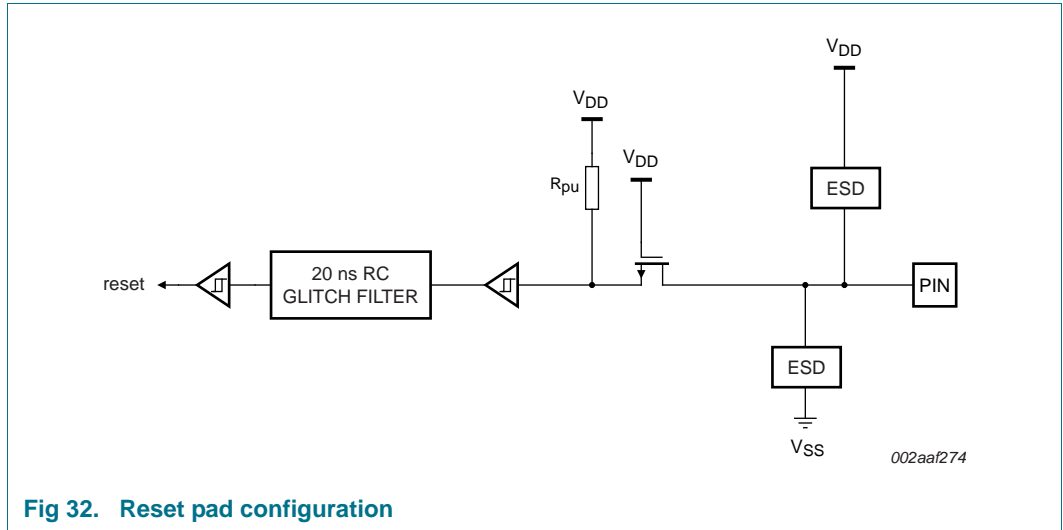


Fig 32. Reset pad configuration

12.7 UVLO protection and reset timer circuit

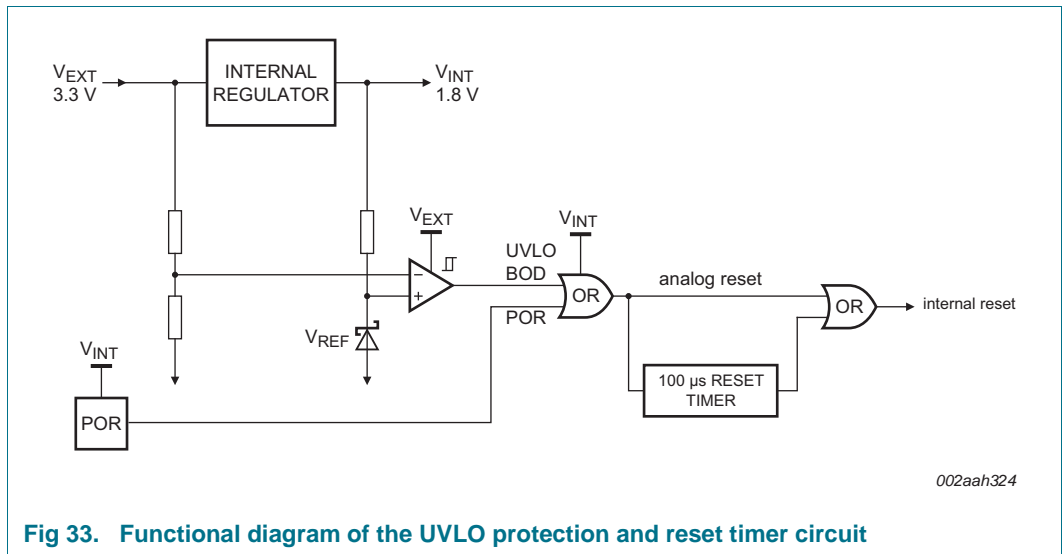


Fig 33. Functional diagram of the UVLO protection and reset timer circuit

12.8 Guidelines for selecting a power supply filter for UVLO protection

For the UVLO circuits to hold the part in reset during shallow and deep brown-out conditions, you must filter the power supply line to allow for the BOD and POR circuits to settle when short voltage drops occur (see [Section 10.1 “Power supply fluctuations”](#)).

Select the capacitance of the decoupling/bypass capacitor according to the following guidelines:

$$C \gg I_{DD} \times t_s / \Delta V_{DD(3V3)} \text{ with}$$

- $\Delta V_{DD(3V3)} \approx 100 \text{ mV}$  for the voltage drop below the BOD or POR trip points.
- $I_{DD} \approx 3 \text{ mA}$  with the IRC running and PLL/SysOsc off (see [Figure 12](#)).

- $t_s = 5 \mu\text{s}$  for shallow brown-out (see [Table 8](#)).
- $t_s = 12 \mu\text{s}$  for deep brown-out (see [Table 8](#)).

With these parameters, the decoupling/bypass capacitor to add to the supply line is:

- $C \gg 0.15 \mu\text{F}$  for shallow brown-out
- $C \gg 0.36 \mu\text{F}$  for deep brown-out

13. Package outline

LQFP48: plastic low profile quad flat package; 48 leads; body 7 x 7 x 1.4 mm

SOT313-2

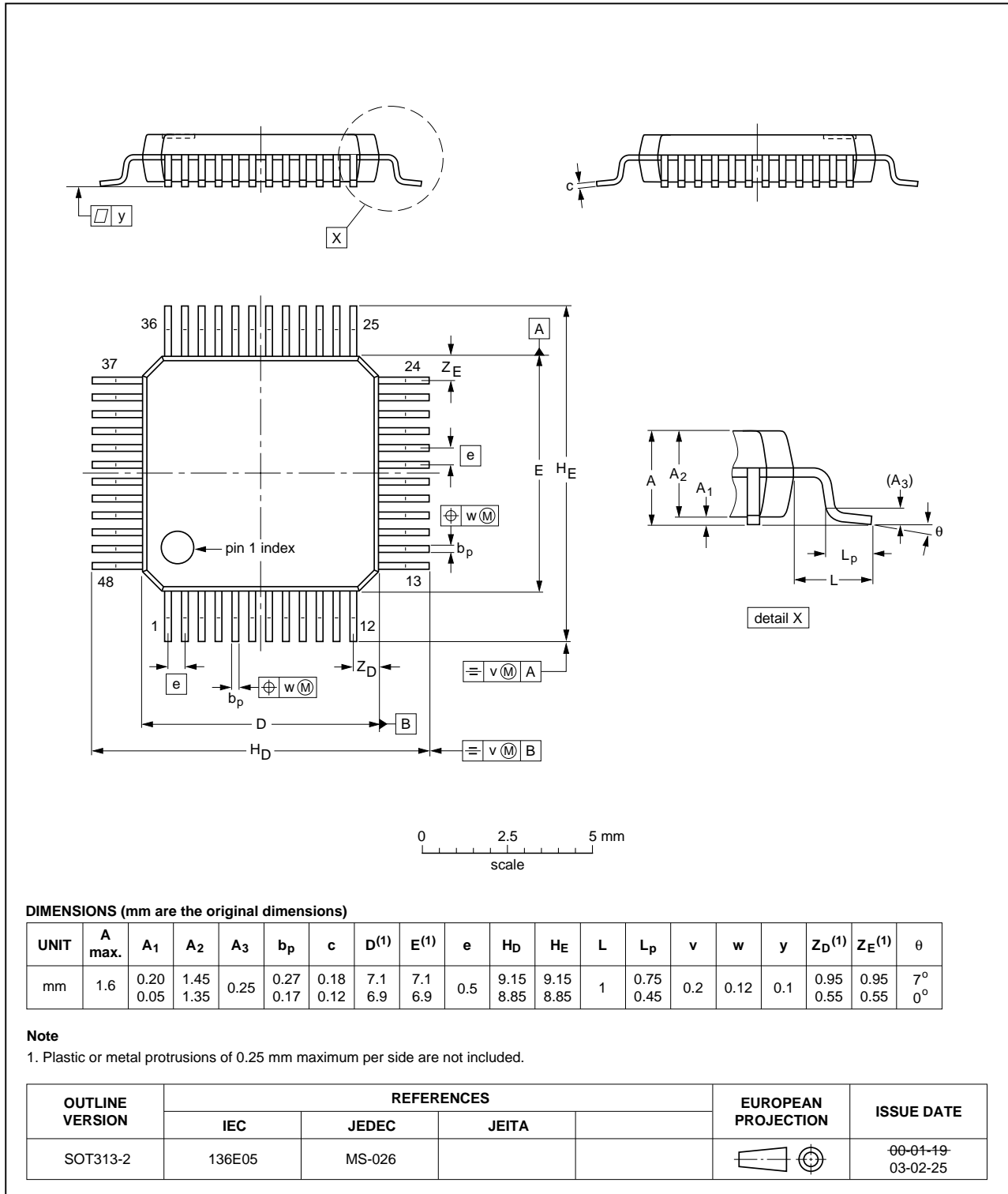
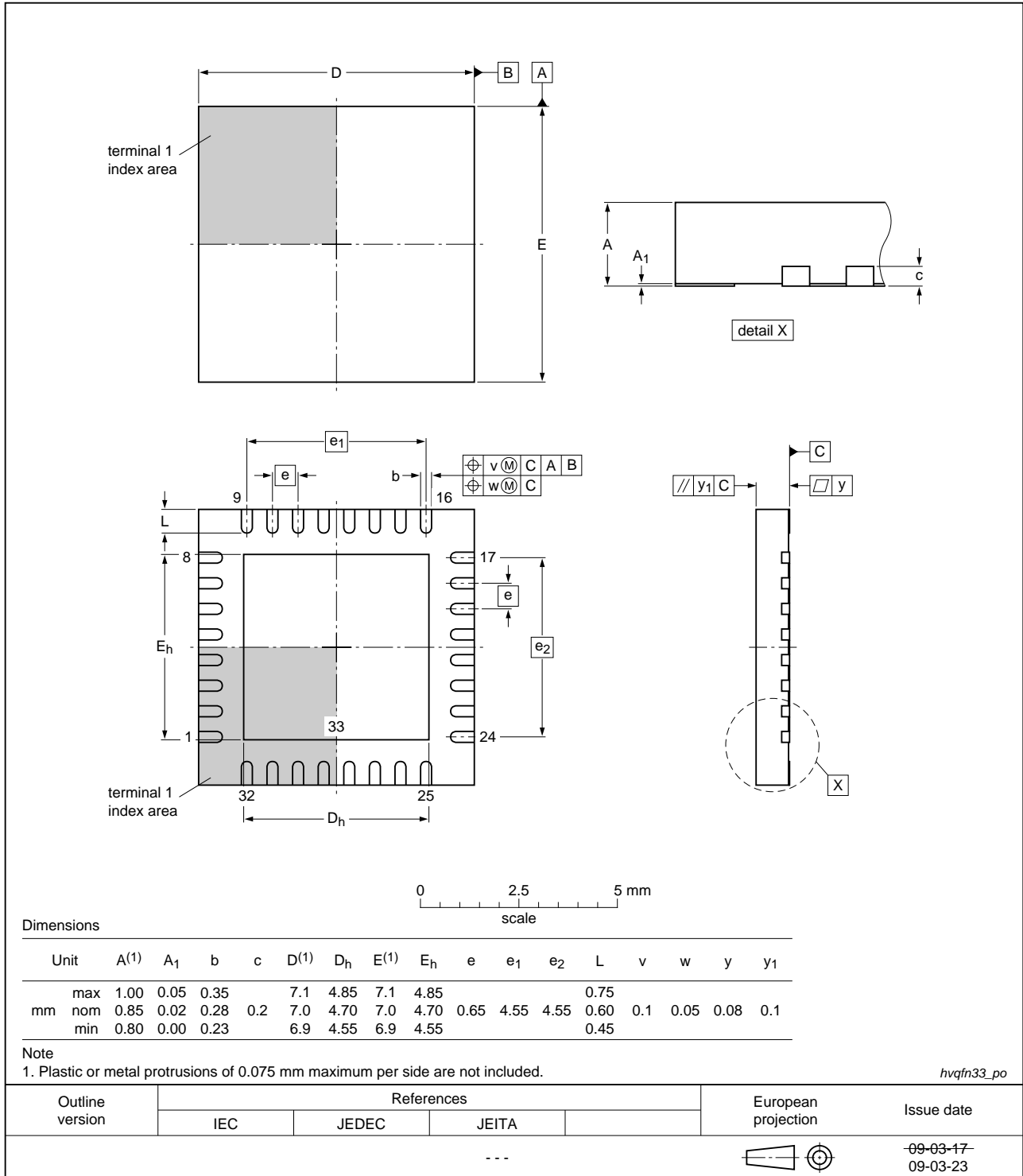


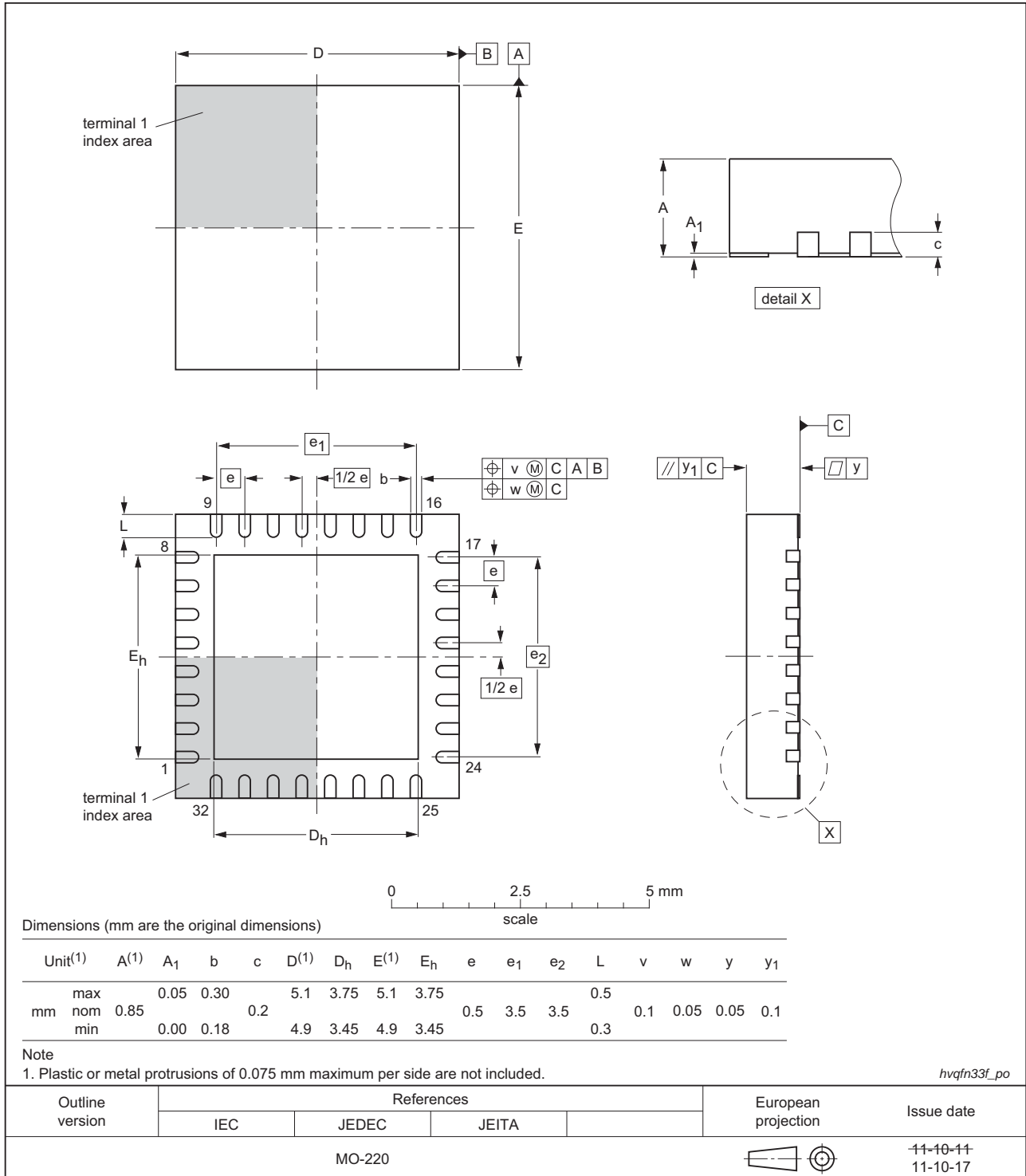
Fig 34. Package outline LQFP48

**HVQFN33: plastic thermal enhanced very thin quad flat package; no leads;  
33 terminals; body 7 x 7 x 0.85 mm**



**Fig 35. Package outline HVQFN33 (7x7)**

**HVQFN33: plastic thermal enhanced very thin quad flat package; no leads;**  
**32 terminals; body 5 x 5 x 0.85 mm**



**Fig 36. Package outline HVQFN33 (5x5)**



WLCSP20: wafer level chip-size package; 20 bumps; 2.5 x 2.5 x 0.6 mm

LPC11AxxUK

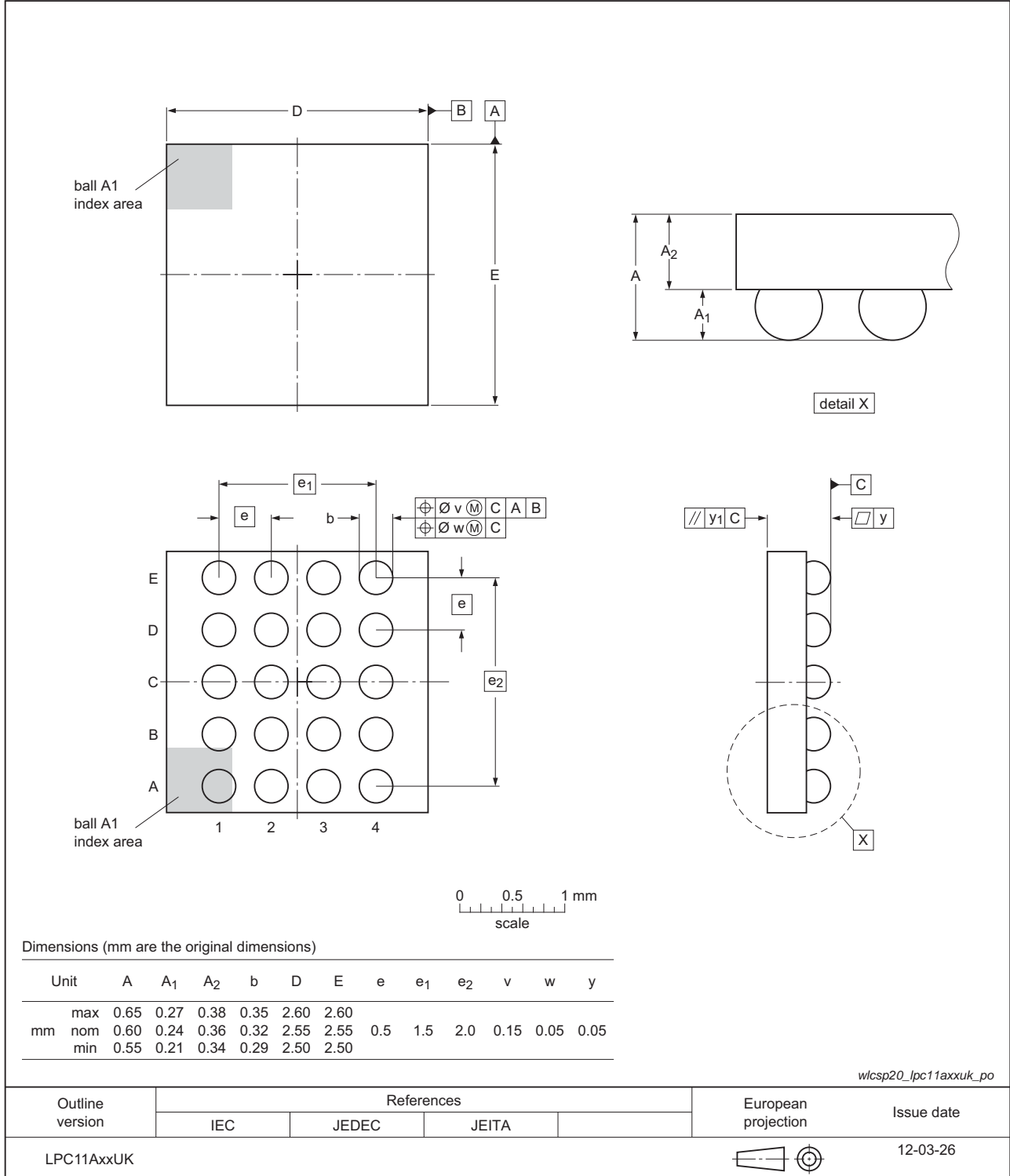


Fig 37. Package outline (WLCSP20)

14. Soldering

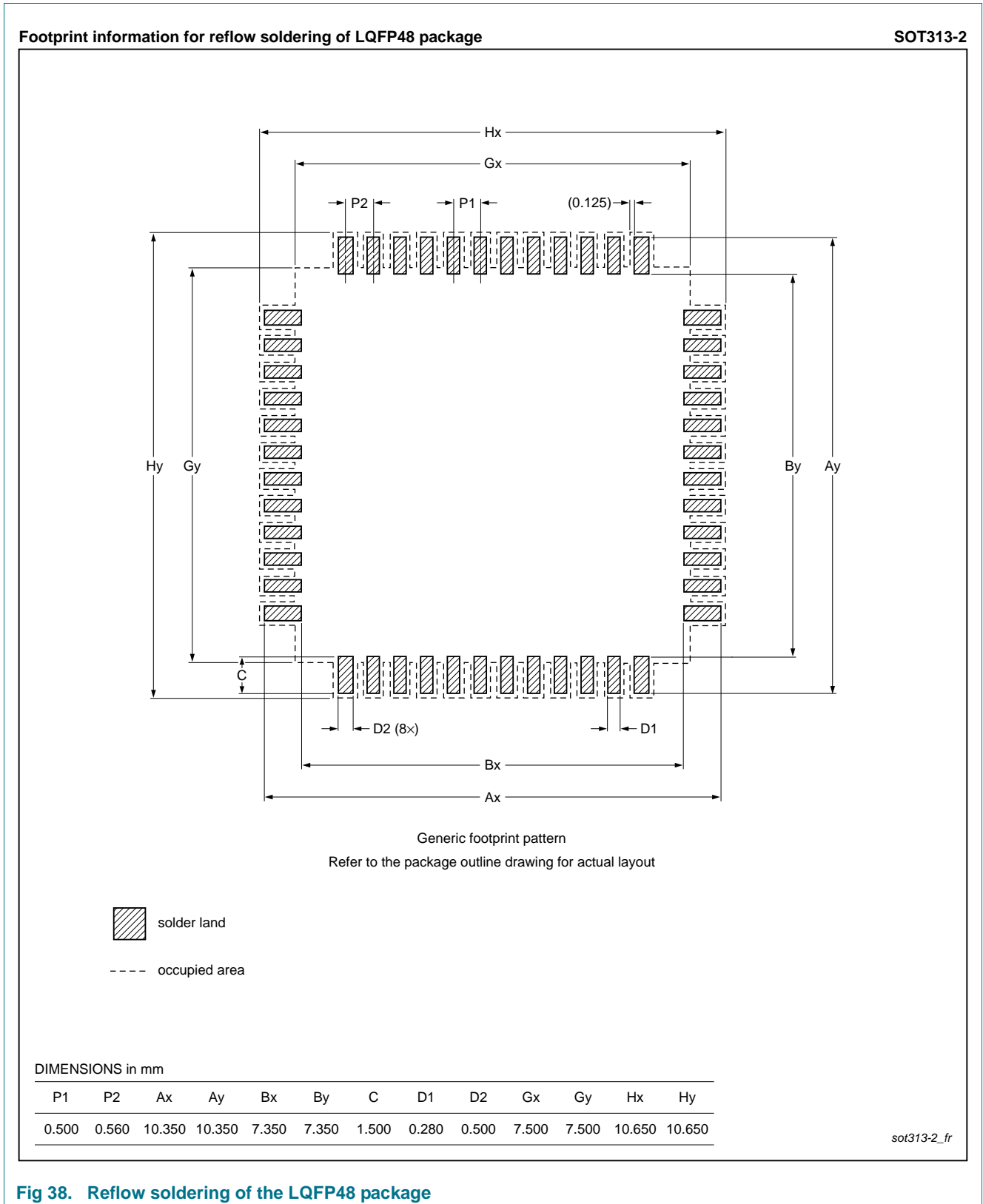


Fig 38. Reflow soldering of the LQFP48 package

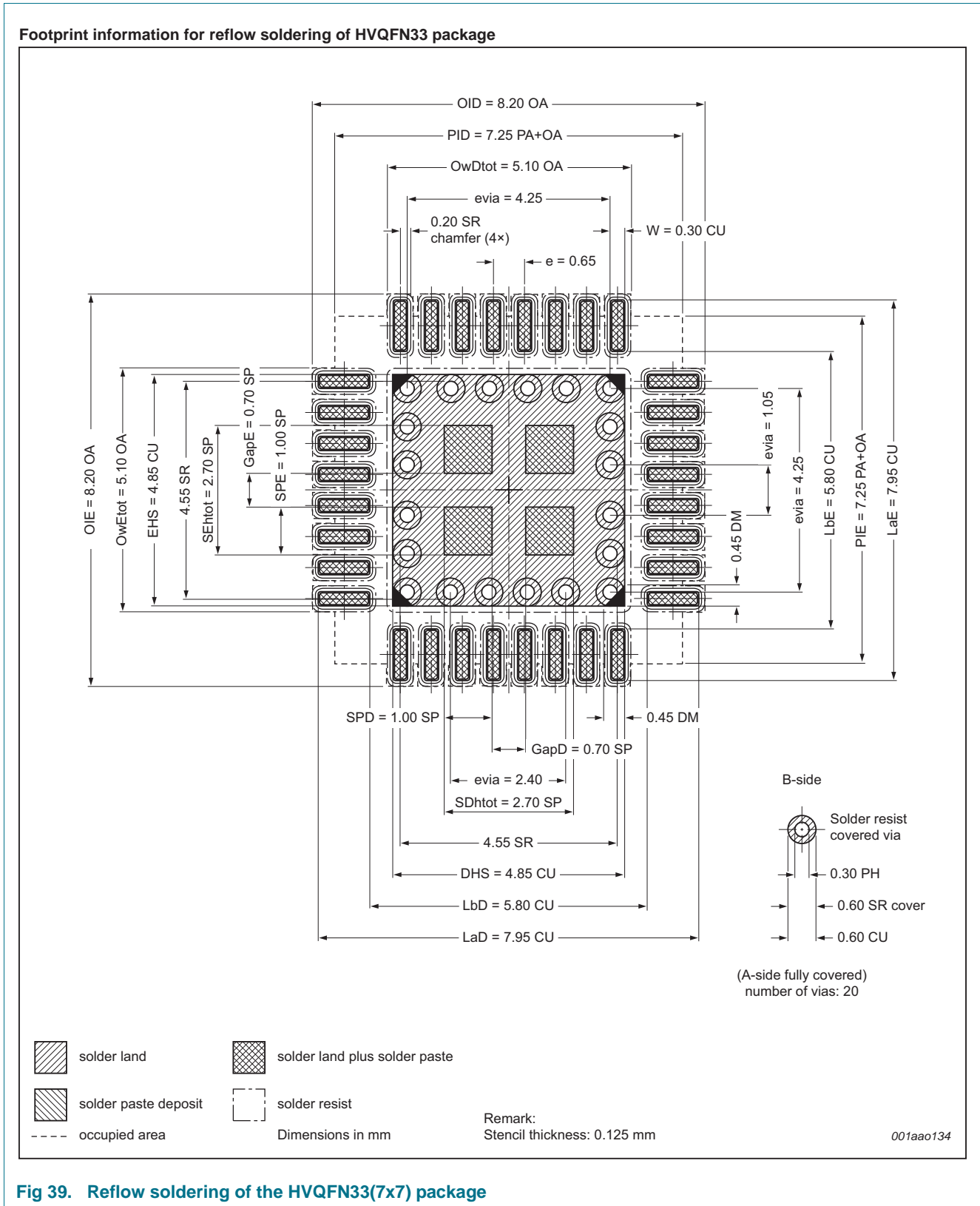
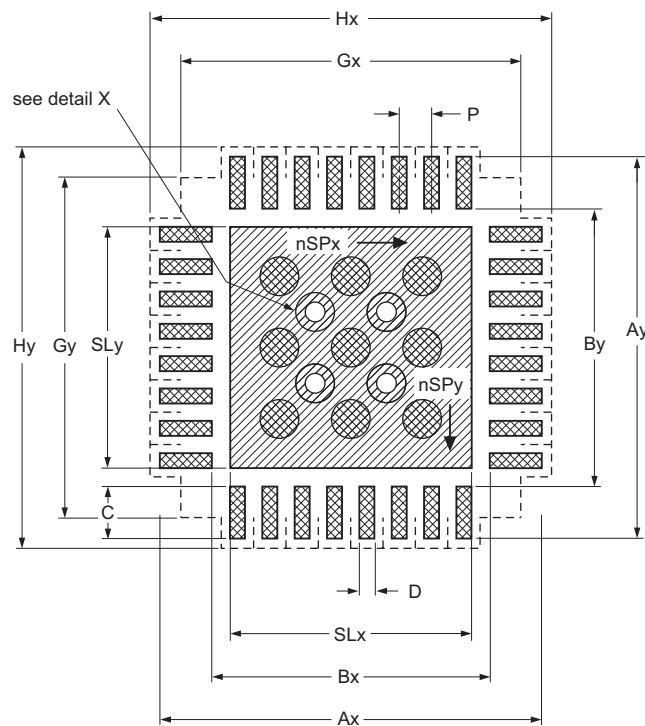


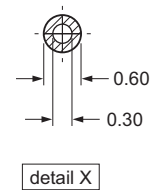


Fig 39. Reflow soldering of the HVQFN33(7x7) package

Footprint information for reflow soldering of HVQFN33 package



-  solder land
-  solder paste
- occupied area



Dimensions in mm

| P   | Ax   | Ay   | Bx   | By   | C    | D    | Gx   | Gy   | Hx  | Hy  | SLx  | SLy  | nSPx | nSPy |
|-----|------|------|------|------|------|------|------|------|-----|-----|------|------|------|------|
| 0.5 | 5.95 | 5.95 | 4.25 | 4.25 | 0.85 | 0.27 | 5.25 | 5.25 | 6.2 | 6.2 | 3.75 | 3.75 | 3    | 3    |

Issue date ~~11-11-15~~  
11-11-20

002aag766

Fig 40. Reflow soldering of the HVQFN33(5x5) package

## 15. Abbreviations

**Table 29. Abbreviations**

| Acronym | Description   |
|---------|---|
| ADC     | Analog-to-Digital Converter                             |
| AHB     | Advanced High-performance Bus                           |
| AMBA    | Advanced Microcontroller Bus Architecture               |
| APB     | Advanced Peripheral Bus                                 |
| BOD     | Brown-Out Detection                                     |
| GPIO    | General Purpose Input/Output                            |
| PLL     | Phase-Locked Loop                                       |
| SPI     | Serial Peripheral Interface                             |
| SSI     | Serial Synchronous Interface                            |
| TTL     | Transistor-Transistor Logic                             |
| USART   | Universal Synchronous/Asynchronous Receiver/Transmitter |
| UVLO    | Under-Voltage LockOut                                   |

## 16. Revision history

Table 30. Revision history

| Document ID    | Release date | Data sheet status      | Change notice | Supersedes   |
|----------------|--------------|------------------------|---------------|--|
| LPC11Axx v.3   | 20120907     | Product data sheet     | -             | LPC11Axx v.2.1   |
|                |              |                        |               | <ul style="list-style-type: none"> <li>• <a href="#">Section 10.1</a> abbreviated for clarity.</li> <li>• UVLO description including description of cold start-up behavior moved to the <i>LPC11Axx user manual</i>.</li> <li>• Table “Slew rate for the internal regulator power-up from ground” removed. This specification is included in the cold start-up description in the <i>LPC11Axx user manual</i>.</li> <li>• Details regarding boundary scan added to <a href="#">Section 7.24 “Emulation and debugging”</a>.</li> <li>• <a href="#">Figure 33 “Functional diagram of the UVLO protection and reset timer circuit”</a> updated to include the reset timer circuit.</li> <li>• <a href="#">Section 12.8 “Guidelines for selecting a power supply filter for UVLO protection”</a> added.</li> <li>• <a href="#">Section 7.23.2</a> updated to include internal reset timer.</li> <li>• Parameter <math>t_{PD}</math> corrected in <a href="#">Table 24</a>.</li> <li>• Parameter <math>E_{V(O)}</math> corrected in <a href="#">Table 26</a>.</li> </ul>  |
| LPC11Axx v.2.1 | 20120704     | Product data sheet     | -             | LPC11Axx v.2   |
|                |              |                        |               | <ul style="list-style-type: none"> <li>• Data sheet status changed to Product.</li> <li>• Changed Table note [2] in Table 24.</li> <li>• Changed Table note [1] in Table 8.</li> <li>• Added Table note [1] in Table 9.</li> <li>• Moved <math>DT_{sen}</math> and <math>E_L</math> values from typ to max in Table 22.</li> <li>• Corrected <math>V_{esd}</math> in Table 5.</li> <li>• Added Table note [5] and Table note [6] to Table 4.</li> </ul>  |
| LPC11Axx v.2   | 20120625     | Preliminary data sheet | -             | LPC11Axx v.1   |
|                |              |                        |               | <ul style="list-style-type: none"> <li>• Data sheet status changed to Preliminary.</li> <li>• Parameter <math>f_{clk}</math> removed from Table 11.</li> <li>• <math>t_{er}</math> removed in Table 11.</li> <li>• Writable EEPROM size specified in Section 7.3.</li> <li>• Section 10.3 “UVLO reset behavior” added.</li> <li>• Power consumption data updated for active mode and sleep mode (see Figure 11 to Figure 13).</li> <li>• Power consumption data for active and sleep modes with all peripherals enabled removed in Table 6 and Section 9.1.</li> <li>• Parameters <math>t_{s(pu)}</math> and <math>t_{s(sw)}</math> removed from Section 7.15.</li> <li>• Parameter <math>t_{PD}</math> updated in Table 25.</li> <li>• SSP dynamic characteristics added in Table 17.</li> <li>• WDOsc and LFOsc max and min frequency values updated throughout the data sheet.</li> <li>• Section 12.7 “UVLO protection circuit” added.</li> <li>• Typical values for parameters <math>E_D</math>, <math>E_{L(adj)}</math>, <math>E_O</math>, <math>E_G</math>, and <math>C_L</math> in Table 20 “DAC static and dynamic characteristics” changed to maximum values.</li> <li>• Parameter <math>V_O</math> corrected for condition <math>T_{amb} = -40\text{ °C}</math> to <math>+85\text{ °C}</math> in Table 22.</li> </ul> |
| LPC11Axx v.1   | 20120322     | Objective data sheet   | -             | -  |

## 17. Legal information

### 17.1 Data sheet status

| Document status <sup>[1][2]</sup> | Product status <sup>[3]</sup> | Definition  |
|-----------------------------------|-------------------------------|---|
| Objective [short] data sheet      | Development                   | This document contains data from the objective specification for product development. |
| Preliminary [short] data sheet    | Qualification                 | This document contains data from the preliminary specification.                       |
| Product [short] data sheet        | Production                    | This document contains the product specification.                                     |

[1] Please consult the most recently issued document before initiating or completing a design.

[2] The term 'short data sheet' is explained in section "Definitions".

[3] The product status of device(s) described in this document may have changed since this document was published and may differ in case of multiple devices. The latest product status information is available on the Internet at URL <http://www.nxp.com>.

### 17.2 Definitions

**Draft** — The document is a draft version only. The content is still under internal review and subject to formal approval, which may result in modifications or additions. NXP Semiconductors does not give any representations or warranties as to the accuracy or completeness of information included herein and shall have no liability for the consequences of use of such information.

**Short data sheet** — A short data sheet is an extract from a full data sheet with the same product type number(s) and title. A short data sheet is intended for quick reference only and should not be relied upon to contain detailed and full information. For detailed and full information see the relevant full data sheet, which is available on request via the local NXP Semiconductors sales office. In case of any inconsistency or conflict with the short data sheet, the full data sheet shall prevail.

**Product specification** — The information and data provided in a Product data sheet shall define the specification of the product as agreed between NXP Semiconductors and its customer, unless NXP Semiconductors and customer have explicitly agreed otherwise in writing. In no event however, shall an agreement be valid in which the NXP Semiconductors product is deemed to offer functions and qualities beyond those described in the Product data sheet.

### 17.3 Disclaimers

**Limited warranty and liability** — Information in this document is believed to be accurate and reliable. However, NXP Semiconductors does not give any representations or warranties, expressed or implied, as to the accuracy or completeness of such information and shall have no liability for the consequences of use of such information. NXP Semiconductors takes no responsibility for the content in this document if provided by an information source outside of NXP Semiconductors.

In no event shall NXP Semiconductors be liable for any indirect, incidental, punitive, special or consequential damages (including - without limitation - lost profits, lost savings, business interruption, costs related to the removal or replacement of any products or rework charges) whether or not such damages are based on tort (including negligence), warranty, breach of contract or any other legal theory.

Notwithstanding any damages that customer might incur for any reason whatsoever, NXP Semiconductors' aggregate and cumulative liability towards customer for the products described herein shall be limited in accordance with the *Terms and conditions of commercial sale* of NXP Semiconductors.

**Right to make changes** — NXP Semiconductors reserves the right to make changes to information published in this document, including without limitation specifications and product descriptions, at any time and without notice. This document supersedes and replaces all information supplied prior to the publication hereof.

**Suitability for use** — NXP Semiconductors products are not designed, authorized or warranted to be suitable for use in life support, life-critical or safety-critical systems or equipment, nor in applications where failure or malfunction of an NXP Semiconductors product can reasonably be expected to result in personal injury, death or severe property or environmental damage. NXP Semiconductors and its suppliers accept no liability for inclusion and/or use of NXP Semiconductors products in such equipment or applications and therefore such inclusion and/or use is at the customer's own risk.

**Applications** — Applications that are described herein for any of these products are for illustrative purposes only. NXP Semiconductors makes no representation or warranty that such applications will be suitable for the specified use without further testing or modification.

Customers are responsible for the design and operation of their applications and products using NXP Semiconductors products, and NXP Semiconductors accepts no liability for any assistance with applications or customer product design. It is customer's sole responsibility to determine whether the NXP Semiconductors product is suitable and fit for the customer's applications and products planned, as well as for the planned application and use of customer's third party customer(s). Customers should provide appropriate design and operating safeguards to minimize the risks associated with their applications and products.

NXP Semiconductors does not accept any liability related to any default, damage, costs or problem which is based on any weakness or default in the customer's applications or products, or the application or use by customer's third party customer(s). Customer is responsible for doing all necessary testing for the customer's applications and products using NXP Semiconductors products in order to avoid a default of the applications and the products or of the application or use by customer's third party customer(s). NXP does not accept any liability in this respect.

**Limiting values** — Stress above one or more limiting values (as defined in the Absolute Maximum Ratings System of IEC 60134) will cause permanent damage to the device. Limiting values are stress ratings only and (proper) operation of the device at these or any other conditions above those given in the Recommended operating conditions section (if present) or the Characteristics sections of this document is not warranted. Constant or repeated exposure to limiting values will permanently and irreversibly affect the quality and reliability of the device.

**Terms and conditions of commercial sale** — NXP Semiconductors products are sold subject to the general terms and conditions of commercial sale, as published at <http://www.nxp.com/profile/terms>, unless otherwise agreed in a valid written individual agreement. In case an individual agreement is concluded only the terms and conditions of the respective agreement shall apply. NXP Semiconductors hereby expressly objects to applying the customer's general terms and conditions with regard to the purchase of NXP Semiconductors products by customer.

**No offer to sell or license** — Nothing in this document may be interpreted or construed as an offer to sell products that is open for acceptance or the grant, conveyance or implication of any license under any copyrights, patents or other industrial or intellectual property rights.

**Export control** — This document as well as the item(s) described herein may be subject to export control regulations. Export might require a prior authorization from competent authorities.

**Non-automotive qualified products** — Unless this data sheet expressly states that this specific NXP Semiconductors product is automotive qualified, the product is not suitable for automotive use. It is neither qualified nor tested in accordance with automotive testing or application requirements. NXP Semiconductors accepts no liability for inclusion and/or use of non-automotive qualified products in automotive equipment or applications.

In the event that customer uses the product for design-in and use in automotive applications to automotive specifications and standards, customer (a) shall use the product without NXP Semiconductors' warranty of the product for such automotive applications, use and specifications, and (b)

whenever customer uses the product for automotive applications beyond NXP Semiconductors' specifications such use shall be solely at customer's own risk, and (c) customer fully indemnifies NXP Semiconductors for any liability, damages or failed product claims resulting from customer design and use of the product for automotive applications beyond NXP Semiconductors' standard warranty and NXP Semiconductors' product specifications.

## 17.4 Trademarks

Notice: All referenced brands, product names, service names and trademarks are the property of their respective owners.

**I<sup>2</sup>C-bus** — logo is a trademark of NXP B.V.

## 18. Contact information

For more information, please visit: <http://www.nxp.com>

For sales office addresses, please send an email to: [salesaddresses@nxp.com](mailto:salesaddresses@nxp.com)



## 19. Contents

|          |   |           |           |  |           |
|----------|---|-----------|-----------|--|-----------|
| <b>1</b> | <b>General description</b> . . . . .                        | <b>1</b>  | 7.22.1.2  | Crystal Oscillator (SysOsc) . . . . .  | 35        |
| <b>2</b> | <b>Features and benefits</b> . . . . .                      | <b>1</b>  | 7.22.1.3  | Internal Low-Frequency Oscillator (LFOsc)<br>and Watchdog Oscillator (WDOsc) . . . . . | 36        |
| <b>3</b> | <b>Applications</b> . . . . .                               | <b>3</b>  | 7.22.2    | Clock input . . . . .  | 36        |
| <b>4</b> | <b>Ordering information</b> . . . . .                       | <b>3</b>  | 7.22.3    | System PLL . . . . .   | 36        |
| 4.1      | Ordering options . . . . .                                  | 4         | 7.22.4    | Clock output . . . . .   | 36        |
| <b>5</b> | <b>Block diagram</b> . . . . .                              | <b>5</b>  | 7.22.5    | Wake-up process . . . . .  | 36        |
| <b>6</b> | <b>Pinning information</b> . . . . .                        | <b>6</b>  | 7.22.6    | Power control . . . . .  | 36        |
| 6.1      | Pinning . . . . .   | 6         | 7.22.6.1  | Sleep mode . . . . .   | 36        |
| 6.2      | Pin description . . . . .                                   | 7         | 7.22.6.2  | Power profiles . . . . .   | 37        |
| <b>7</b> | <b>Functional description</b> . . . . .                     | <b>23</b> | 7.23      | System control . . . . .   | 37        |
| 7.1      | ARM Cortex-M0 processor . . . . .                           | 23        | 7.23.1    | UnderVoltage LockOut (UVLO) protection . . . . .                                       | 37        |
| 7.2      | On-chip flash program memory . . . . .                      | 23        | 7.23.2    | Reset . . . . .  | 37        |
| 7.3      | On-chip EEPROM data memory . . . . .                        | 23        | 7.23.3    | Brown-out detection . . . . .  | 38        |
| 7.4      | On-chip SRAM . . . . .                                      | 23        | 7.23.4    | Code security (Code Read Protection - CRP) . . . . .                                   | 38        |
| 7.5      | On-chip ROM . . . . .                                       | 23        | 7.23.5    | APB interface . . . . .  | 38        |
| 7.6      | Memory map . . . . .  | 23        | 7.23.6    | AHBLite . . . . .  | 38        |
| 7.7      | Nested Vectored Interrupt Controller (NVIC) . . . . .       | 24        | 7.23.7    | External interrupt inputs . . . . .  | 39        |
| 7.7.1    | Features . . . . .  | 24        | 7.24      | Emulation and debugging . . . . .  | 39        |
| 7.7.2    | Interrupt sources . . . . .                                 | 25        | <b>8</b>  | <b>Limiting values</b> . . . . .   | <b>40</b> |
| 7.8      | IOCON block . . . . .                                       | 25        | <b>9</b>  | <b>Static characteristics</b> . . . . .  | <b>41</b> |
| 7.9      | Fast general purpose parallel I/O . . . . .                 | 25        | 9.1       | Power consumption . . . . .  | 44        |
| 7.9.1    | Features . . . . .  | 25        | 9.2       | Peripheral power consumption . . . . .   | 46        |
| 7.10     | USART . . . . .   | 26        | 9.3       | Electrical pin characteristics . . . . .   | 46        |
| 7.10.1   | Features . . . . .  | 26        | <b>10</b> | <b>Dynamic characteristics</b> . . . . .   | <b>50</b> |
| 7.11     | SSP serial I/O controller . . . . .                         | 26        | 10.1      | Power supply fluctuations . . . . .  | 50        |
| 7.11.1   | Features . . . . .  | 26        | 10.2      | Flash/EEPROM memory . . . . .  | 50        |
| 7.12     | I <sup>2</sup> C-bus serial I/O controller . . . . .        | 26        | 10.3      | External clock for oscillator in slave mode . . . . .                                  | 51        |
| 7.12.1   | Features . . . . .  | 27        | 10.4      | Internal oscillators . . . . .   | 52        |
| 7.13     | Configurable analog/mixed-signal<br>subsystems . . . . .    | 27        | 10.5      | I/O pins . . . . .   | 53        |
| 7.14     | 10-bit ADC . . . . .  | 28        | 10.6      | I <sup>2</sup> C-bus . . . . .   | 53        |
| 7.14.1   | Features . . . . .  | 29        | 10.7      | SSP interfaces . . . . .   | 55        |
| 7.15     | Internal voltage reference . . . . .                        | 29        | <b>11</b> | <b>Characteristics of analog peripherals</b> . . . . .                                 | <b>57</b> |
| 7.16     | Temperature sensor . . . . .                                | 30        | <b>12</b> | <b>Application information</b> . . . . .   | <b>65</b> |
| 7.17     | 10-bit DAC . . . . .  | 30        | 12.1      | ADC usage notes . . . . .  | 65        |
| 7.17.1   | Features . . . . .  | 31        | 12.2      | Use of ADC input trigger signals . . . . .   | 65        |
| 7.18     | Analog comparator . . . . .                                 | 31        | 12.3      | XTAL input . . . . .   | 65        |
| 7.18.1   | Features . . . . .  | 32        | 12.4      | XTAL Printed Circuit Board (PCB) layout<br>guidelines . . . . .                        | 67        |
| 7.19     | General purpose external event c<br>ounter/timers . . . . . | 33        | 12.5      | Standard I/O pad configuration . . . . .   | 67        |
| 7.19.1   | Features . . . . .  | 33        | 12.6      | Reset pad configuration . . . . .  | 68        |
| 7.20     | System tick timer . . . . .                                 | 33        | 12.7      | UVLO protection and reset timer circuit . . . . .                                      | 68        |
| 7.21     | Windowed WatchDog Timer (WWDT) . . . . .                    | 33        | 12.8      | Guidelines for selecting a power supply<br>filter for UVLO protection . . . . .        | 68        |
| 7.21.1   | Features . . . . .  | 33        | <b>13</b> | <b>Package outline</b> . . . . .   | <b>70</b> |
| 7.22     | Clocking and power control . . . . .                        | 34        | <b>14</b> | <b>Soldering</b> . . . . .   | <b>74</b> |
| 7.22.1   | Crystal and internal oscillators . . . . .                  | 34        |           |  |           |
| 7.22.1.1 | Internal RC Oscillator (IRC) . . . . .                      | 35        |           |  |           |

continued >>

|           |                                  |           |
|-----------|----------------------------------|-----------|
| <b>15</b> | <b>Abbreviations</b> .....       | <b>77</b> |
| <b>16</b> | <b>Revision history</b> .....    | <b>78</b> |
| <b>17</b> | <b>Legal information</b> .....   | <b>79</b> |
| 17.1      | Data sheet status .....          | 79        |
| 17.2      | Definitions .....                | 79        |
| 17.3      | Disclaimers .....                | 79        |
| 17.4      | Trademarks .....                 | 80        |
| <b>18</b> | <b>Contact information</b> ..... | <b>80</b> |
| <b>19</b> | <b>Contents</b> .....            | <b>81</b> |

---

Please be aware that important notices concerning this document and the product(s) described herein, have been included in section 'Legal information'.

---

© NXP B.V. 2012.

All rights reserved.

For more information, please visit: <http://www.nxp.com>

For sales office addresses, please send an email to: [salesaddresses@nxp.com](mailto:salesaddresses@nxp.com)

Date of release: 7 September 2012

Document identifier: LPC11AXX

# Mouser Electronics

Authorized Distributor

Click to View Pricing, Inventory, Delivery & Lifecycle Information:

[NXP:](#)

[LPC11A14JBD48/30QL](#) [LPC11A13JHI33/201E](#)