

RF Power Field Effect Transistors

N-Channel Enhancement-Mode Lateral MOSFETs

Designed for GSM and GSM EDGE base station applications with frequencies from 869 to 960 MHz. Suitable for TDMA, CDMA, and multicarrier amplifier applications.

GSM Application

- Typical GSM Performance: $V_{DD} = 26$ Volts, $I_{DQ} = 600$ mA, $P_{out} = 80$ Watts CW, Full Frequency Band (869-894 MHz or 921-960 MHz).
Power Gain — 18.5 dB
Drain Efficiency — 60%

GSM EDGE Application

- Typical GSM EDGE Performance: $V_{DD} = 26$ Volts, $I_{DQ} = 550$ mA, $P_{out} = 36$ Watts Avg., Full Frequency Band (869-894 MHz or 921-960 MHz).
Power Gain — 19 dB
Drain Efficiency — 42%
Spectral Regrowth @ 400 kHz Offset = -63 dBc
Spectral Regrowth @ 600 kHz Offset = -78 dBc
EVM — 2.5% rms
- Capable of Handling 10:1 VSWR, @ 26 Vdc, 960 MHz, 80 Watts CW Output Power

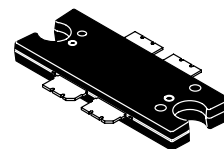
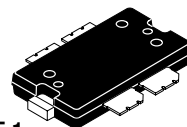
Features

- Characterized with Series Equivalent Large-Signal Impedance Parameters
- Internally Matched for Ease of Use
- Qualified Up to a Maximum of 32 V_{DD} Operation
- Integrated ESD Protection
- 200°C Capable Plastic Package
- RoHS Compliant
- In Tape and Reel. R1 Suffix = 500 Units per 44 mm, 13 inch Reel.

MRF5S9080NR1
MRF5S9080NBR1

869-960 MHz, 80 W, 26 V
GSM/GSM EDGE
LATERAL N-CHANNEL
RF POWER MOSFETs

CASE 1486-03, STYLE 1
TO-270 WB-4
PLASTIC
MRF5S9080NR1



CASE 1484-04, STYLE 1
TO-272 WB-4
PLASTIC
MRF5S9080NBR1

Table 1. Maximum Ratings

Rating	Symbol	Value	Unit
Drain-Source Voltage	V_{DSS}	-0.5, +65	Vdc
Gate-Source Voltage	V_{GS}	-0.5, +15	Vdc
Storage Temperature Range	T_{stg}	- 65 to +150	°C
Operating Junction Temperature	T_J	200	°C

Table 2. Thermal Characteristics

Characteristic	Symbol	Value (1,2)	Unit
Thermal Resistance, Junction to Case	$R_{\theta JC}$		°C/W
Case Temperature 79°C, 80 W CW		0.50	
Case Temperature 80°C, 36 W CW		0.54	

1. MTTF calculator available at <http://www.freescale.com/rf>. Select Tools/Software/Application Software/Calculators to access the MTTF calculators by product.
2. Refer to AN1955, *Thermal Measurement Methodology of RF Power Amplifiers*. Go to <http://www.freescale.com/rf>. Select Documentation/Application Notes - AN1955.

Table 3. ESD Protection Characteristics

Test Methodology	Class
Human Body Model (per JESD22-A114)	1B (Minimum)
Machine Model (per EIA/JESD22-A115)	A (Minimum)
Charge Device Model (per JESD22-C101)	IV (Minimum)

Table 4. Moisture Sensitivity Level

Test Methodology	Rating	Package Peak Temperature	Unit
Per JESD 22-A113, IPC/JEDEC J-STD-020	3	260	°C

Table 5. Electrical Characteristics ($T_C = 25^\circ\text{C}$ unless otherwise noted)

Characteristic	Symbol	Min	Typ	Max	Unit
----------------	--------	-----	-----	-----	------

Off Characteristics

Zero Gate Voltage Drain Leakage Current ($V_{DS} = 65\text{ Vdc}$, $V_{GS} = 0\text{ Vdc}$)	I_{DSS}	—	—	10	μAdc
Zero Gate Voltage Drain Leakage Current ($V_{DS} = 26\text{ Vdc}$, $V_{GS} = 0\text{ Vdc}$)	I_{DSS}	—	—	1	μAdc
Gate-Source Leakage Current ($V_{GS} = 5\text{ Vdc}$, $V_{DS} = 0\text{ Vdc}$)	I_{GSS}	—	—	500	nAdc

On Characteristics

Gate Threshold Voltage ($V_{DS} = 10\text{ Vdc}$, $I_D = 400\ \mu\text{Adc}$)	$V_{GS(th)}$	2	2.8	3.5	Vdc
Gate Quiescent Voltage ($V_{DS} = 26\text{ Vdc}$, $I_D = 600\ \text{mAdc}$, Measured in Functional Test)	$V_{GS(Q)}$	3.5	3.9	4.5	Vdc
Drain-Source On-Voltage ($V_{GS} = 10\text{ Vdc}$, $I_D = 2\ \text{Adc}$)	$V_{DS(on)}$	—	0.27	0.3	Vdc

Dynamic Characteristics ⁽¹⁾

Reverse Transfer Capacitance ($V_{DS} = 26\text{ Vdc} \pm 30\ \text{mV(rms)ac}$ @ 1 MHz, $V_{GS} = 0\text{ Vdc}$)	C_{rss}	—	1.8	—	pF
Output Capacitance ($V_{DS} = 26\text{ Vdc} \pm 30\ \text{mV(rms)ac}$ @ 1 MHz, $V_{GS} = 0\text{ Vdc}$)	C_{oss}	—	600	—	pF

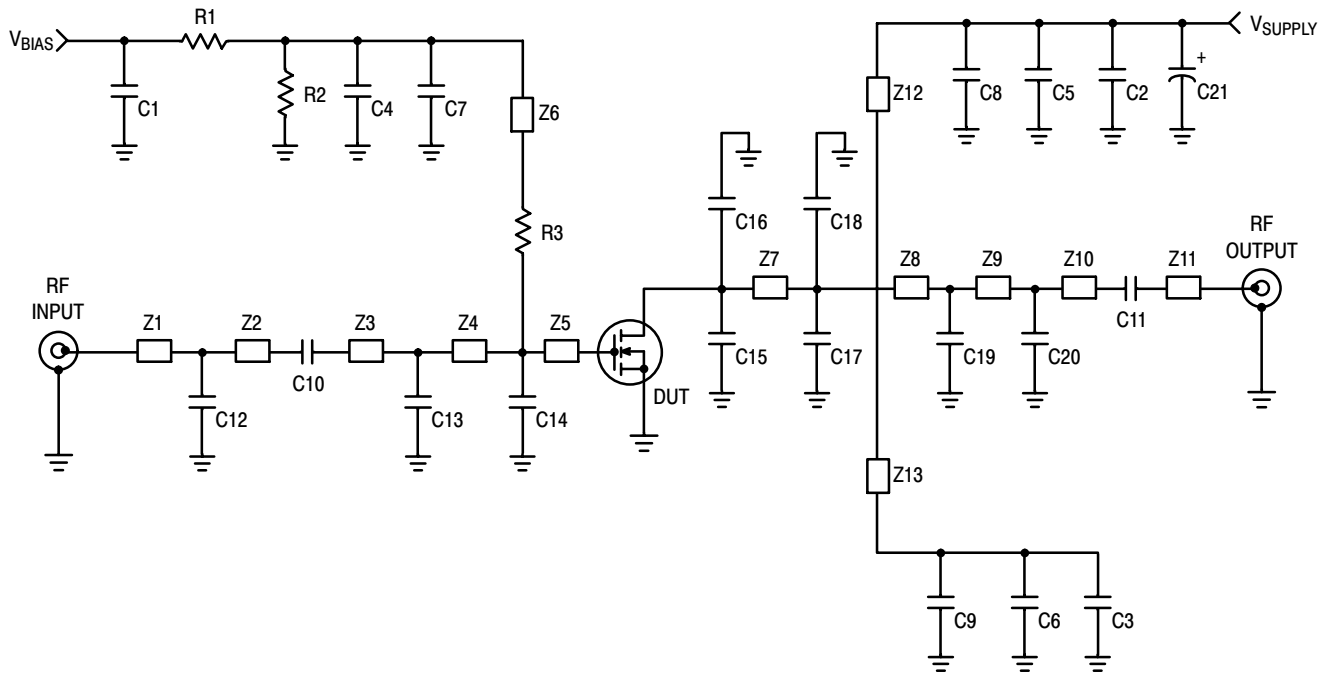
Functional Tests (In Freescale Test Fixture, 50 ohm system) $V_{DD} = 26\text{ Vdc}$, $I_{DQ} = 600\ \text{mA}$, $P_{out} = 80\ \text{W CW}$, $f = 960\ \text{MHz}$

Power Gain	G_{ps}	17	18.5	20	dB
Drain Efficiency	η_D	55	60	—	%
Input Return Loss	IRL	—	-15	-9	dB
P_{out} @ 1 dB Compression Point	P1dB	80	90	—	W

Typical GSM EDGE Performances (In Freescale GSM EDGE Test Fixture, 50 ohm system) $V_{DD} = 26\text{ Vdc}$, $I_{DQ} = 550\ \text{mA}$, $P_{out} = 36\ \text{W Avg.}$, 869-894 MHz, 920-960 MHz GSM EDGE Modulation

Power Gain	G_{ps}	—	19	—	dB
Drain Efficiency	η_D	—	42	—	%
Error Vector Magnitude	EVM	—	2.5	—	% rms
Spectral Regrowth at 400 kHz Offset	SR1	—	-63	—	dBc
Spectral Regrowth at 600 kHz Offset	SR2	—	-77	—	dBc

1. Part is internally matched on input.



Z1	1.220" x 0.087" Microstrip	Z8	0.138" x 0.087" Microstrip
Z2	1.110" x 0.087" Microstrip	Z9	0.411" x 0.087" Microstrip
Z3	0.536" x 0.087" Microstrip	Z10	0.403" x 0.087" Microstrip
Z4	0.310" x 0.087" Microstrip	Z11	0.560" x 0.087" Microstrip
Z5	0.430" x 0.591" Microstrip	Z12, Z13	1.693" x 0.087" Microstrip
Z6	1.567" x 0.059" Microstrip	PCB	Taconic TLX8 -0300, 0.030", $\epsilon_r = 2.55$
Z7	0.734" x 0.788" Microstrip		

Figure 1. MRF5S9080NR1(NBR1) Test Circuit Schematic — 900 MHz

Table 6. MRF5S9080NR1(NBR1) Test Circuit Component Designations and Values — 900 MHz

Part	Description	Part Number	Manufacturer
C1, C2, C3	4.7 μ F Chip Capacitors (1812)	C4532X5R1H475MT	TDK
C4, C5, C6	10 nF 200B Chip Capacitors	200B103MW	ATC
C7, C8, C9	33 pF 600B Chip Capacitors	600B330JW	ATC
C10, C11	22 pF 600B Chip Capacitors	600B220FW	ATC
C12	1.8 pF 600B Chip Capacitor	600B1R8BW	ATC
C13	9.1 pF 600B Chip Capacitor	600B9R1BW	ATC
C14, C17, C18	8.2 pF 600B Chip Capacitors	600B8R2BW	ATC
C15, C16	10 pF 600B Chip Capacitors	600B100FW	ATC
C19	4.7 pF 600B Chip Capacitor	600B4R7BW	ATC
C20	3.6 pF 600B Chip Capacitor	600B3R6BW	ATC
C21	220 μ F, 63 V Electrolytic Capacitor, Axial	13668221	Philips
R1, R2	10 k Ω , 1/4 W Chip Resistors (1206)		
R3	10 Ω , 1/4 W Chip Resistor (1206)		

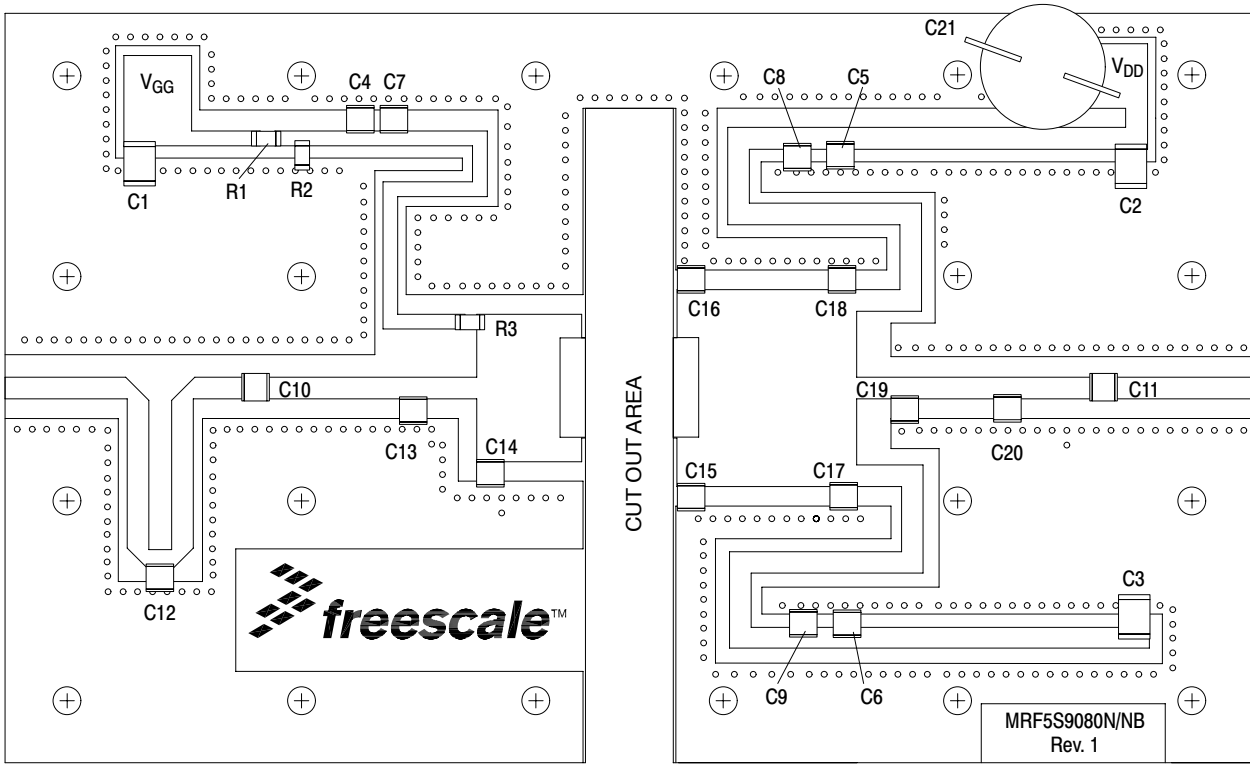


Figure 2. MRF5S9080NR1 (NBR1) Test Circuit Component Layout — 900 MHz

TYPICAL CHARACTERISTICS - 900 MHz

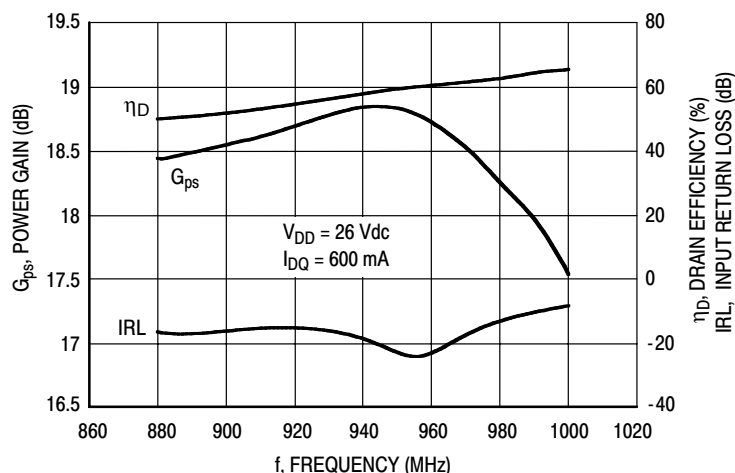


Figure 3. Power Gain, Input Return Loss and Drain Efficiency versus Frequency @ $P_{out} = 80$ Watts CW

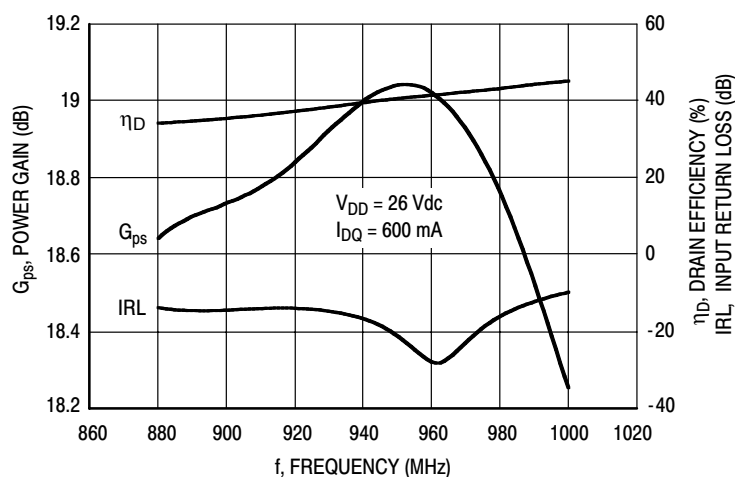


Figure 4. Power Gain, Input Return Loss and Drain Efficiency versus Frequency @ $P_{out} = 36$ Watts CW

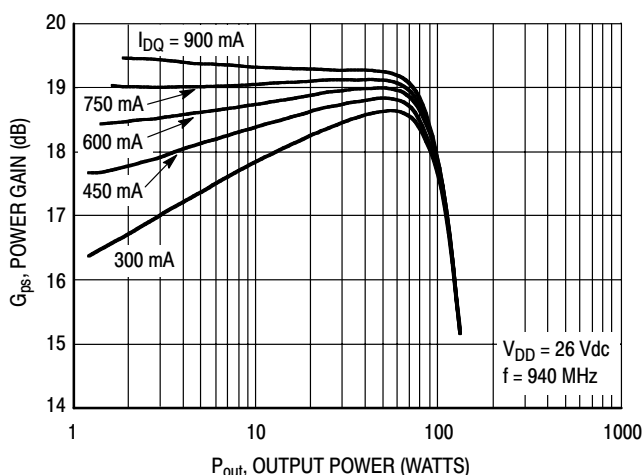


Figure 5. Power Gain versus Output Power

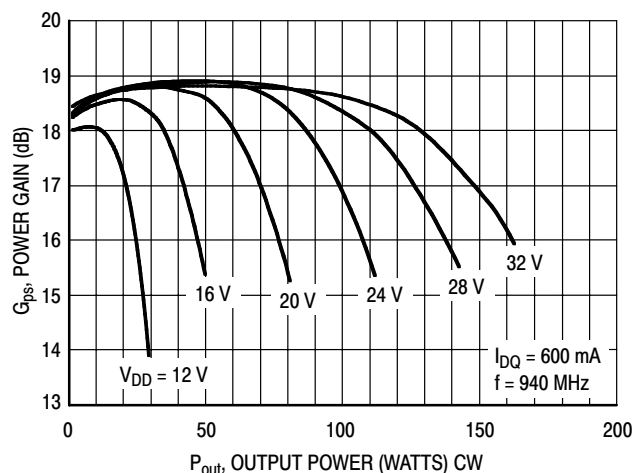


Figure 6. Power Gain versus Output Power

TYPICAL CHARACTERISTICS - 900 MHz

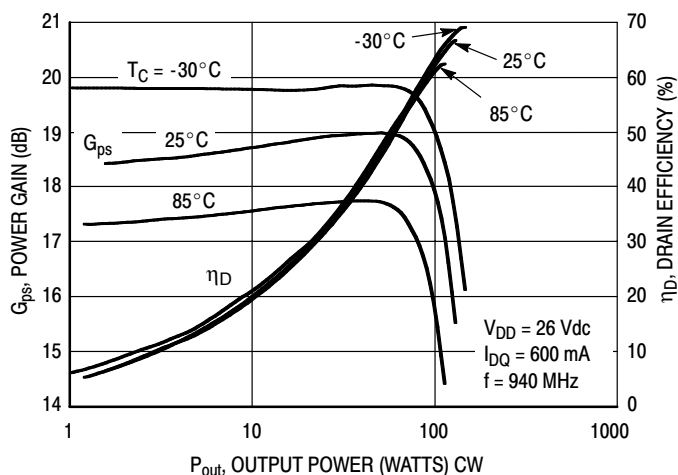


Figure 7. Power Gain and Drain Efficiency versus CW Output Power

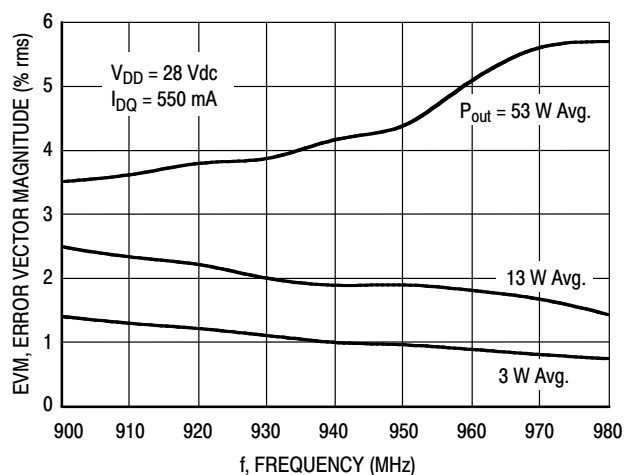


Figure 8. EVM versus Frequency

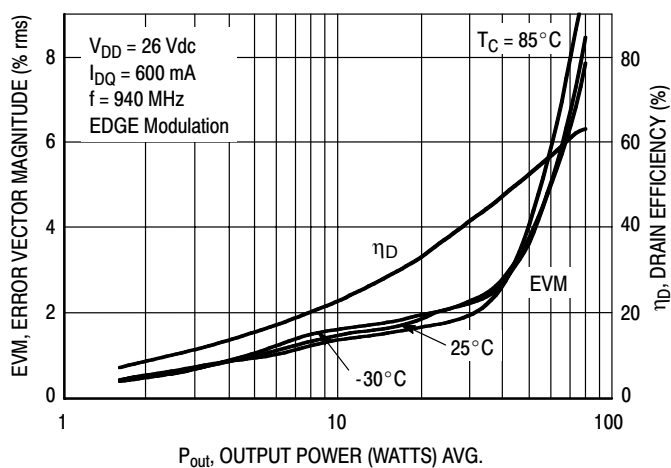


Figure 9. EVM and Drain Efficiency versus Output Power

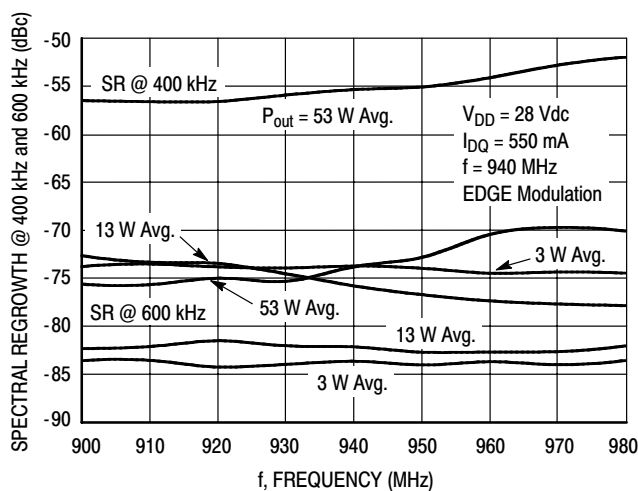


Figure 10. Spectral Regrowth at 400 kHz and 600 kHz versus Frequency

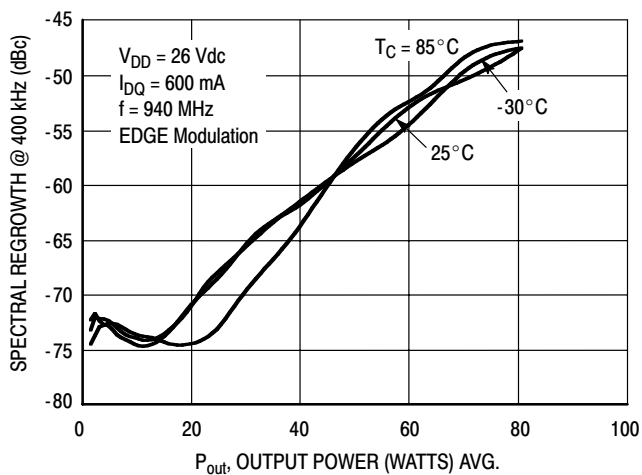


Figure 11. Spectral Regrowth @ 400 kHz versus Output Power

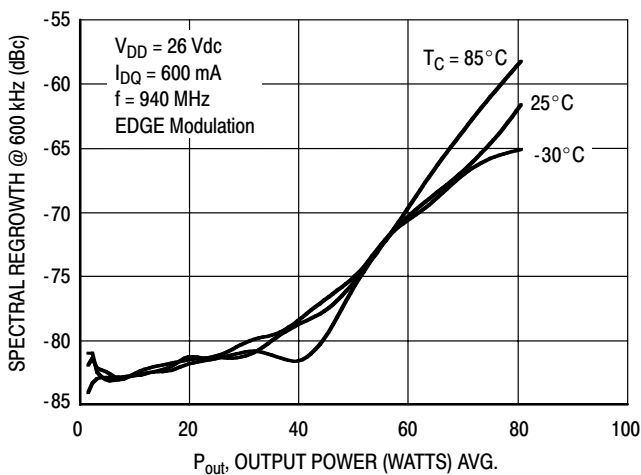
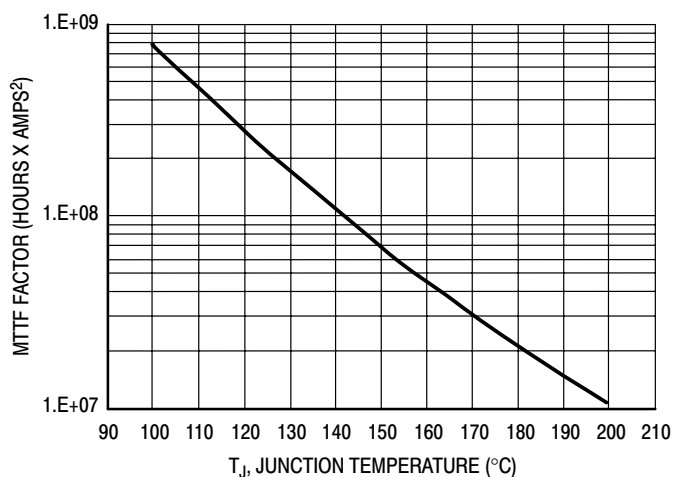


Figure 12. Spectral Regrowth @ 600 kHz versus Output Power

TYPICAL CHARACTERISTICS



This above graph displays calculated MTTF in hours x ampere² drain current. Life tests at elevated temperatures have correlated to better than ±10% of the theoretical prediction for metal failure. Divide MTTF factor by I_D² for MTTF in a particular application.

Figure 13. MTTF Factor versus Junction Temperature

GSM TEST SIGNAL

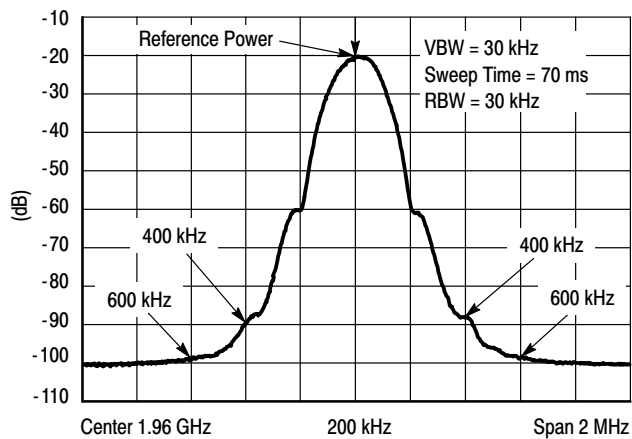
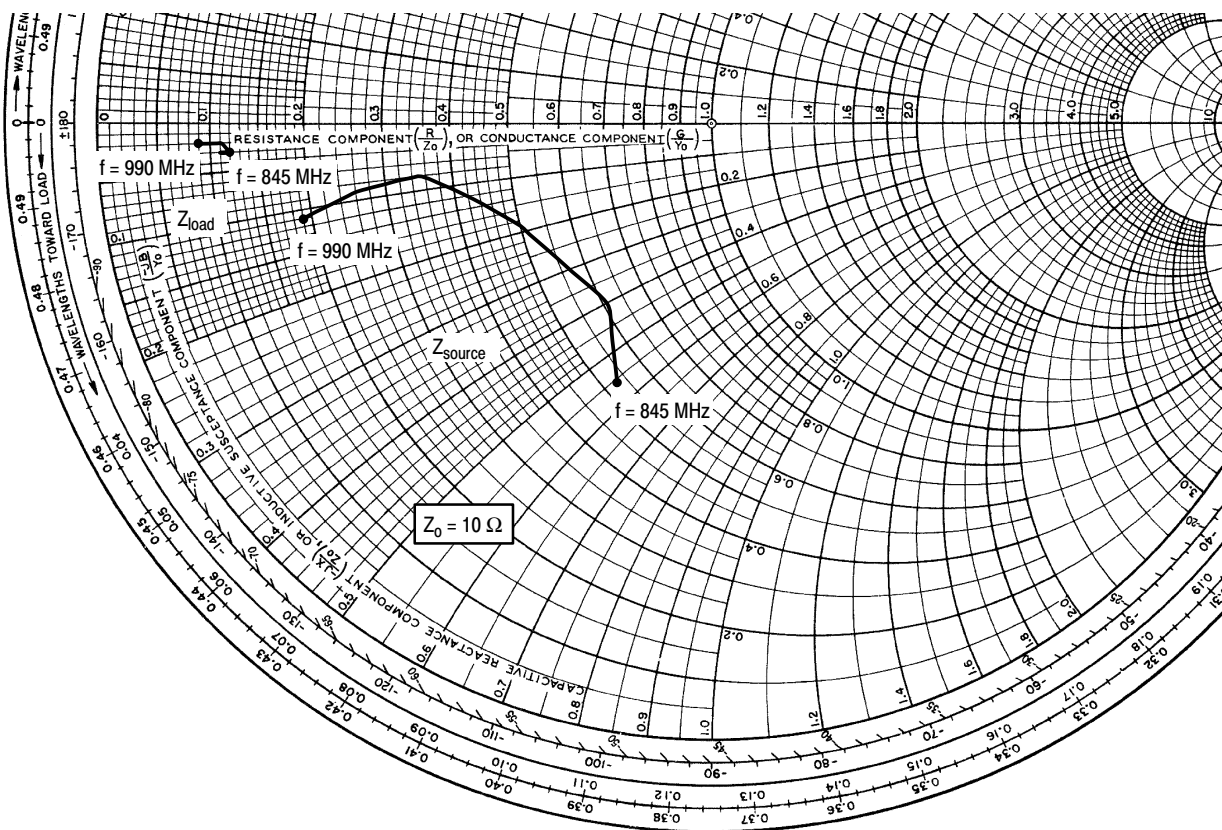


Figure 14. EDGE Spectrum



$V_{DD} = 26 \text{ Vdc}$, $I_{DQ} = 600 \text{ mA}$, $P_{out} = 80 \text{ W CW}$

f MHz	Z_{source} Ω	Z_{load} Ω
845	$5.31 - j5.59$	$1.18 - j0.34$
865	$6.07 - j4.16$	$1.09 - j0.29$
890	$5.05 - j1.99$	$1.22 - j0.29$
920	$3.47 - j0.81$	$1.10 - j0.21$
960	$2.64 - j0.88$	$1.05 - j0.15$
990	$1.89 - j1.14$	$0.91 - j0.18$

Z_{source} = Test circuit impedance as measured from gate to ground.

Z_{load} = Test circuit impedance as measured from drain to ground.

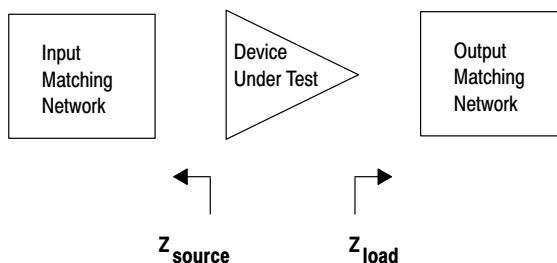
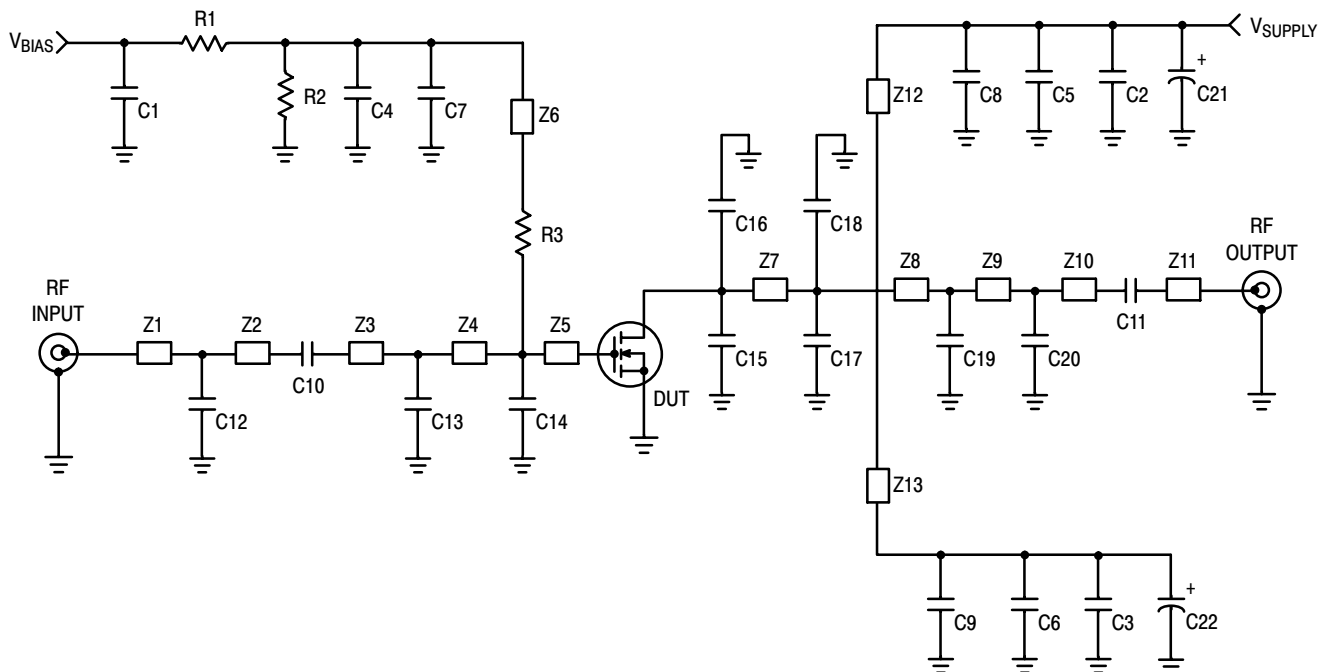


Figure 15. Series Equivalent Source and Load Impedance — 900 MHz



Z1	1.220" x 0.087" Microstrip	Z8	0.138" x 0.087" Microstrip
Z2	1.110" x 0.087" Microstrip	Z9	0.411" x 0.087" Microstrip
Z3	0.536" x 0.087" Microstrip	Z10	0.403" x 0.087" Microstrip
Z4	0.310" x 0.087" Microstrip	Z11	0.560" x 0.087" Microstrip
Z5	0.430" x 0.591" Microstrip	Z12, Z13	1.693" x 0.087" Microstrip
Z6	1.567" x 0.059" Microstrip	PCB	Taconic TLX8-0300, 0.030", $\epsilon_r = 2.55$
Z7	0.734" x 0.788" Microstrip		

Figure 16. MRF5S9080NR1(NBR1) Test Circuit Schematic — 800 MHz

Table 7. MRF5S9080NR1(NBR1) Test Circuit Component Designations and Values — 800 MHz

Part	Description	Part Number	Manufacturer
C1, C2, C3	4.7 μ F Chip Capacitors (1812)	C4532X5R1H475MT	TDK
C4, C5, C6	10 nF 200B Chip Capacitors	200B103MW	ATC
C7, C8, C9	33 pF 600B Chip Capacitors	600B330JW	ATC
C10, C11	22 pF 600B Chip Capacitors	600B220FW	ATC
C12	1.8 pF 600B Chip Capacitor	600B1R8BW	ATC
C13	9.1 pF 600B Chip Capacitor	600B9R1BW	ATC
C14, C17, C18	8.2 pF 600B Chip Capacitors	600B8R2BW	ATC
C15, C16	10 pF 600B Chip Capacitors	600B100FW	ATC
C19	4.7 pF 600B Chip Capacitor	600B4R7BW	ATC
C20	3.6 pF 600B Chip Capacitor	600B3R6BW	ATC
C21, C22	220 μ F, 50 V Electrolytic Capacitors, Radial	678D227M050DM3D	Vishay
R1, R2	10 k Ω , 1/4 W Chip Resistors (1206)		
R3	10 Ω , 1/4 W Chip Resistor (1206)		

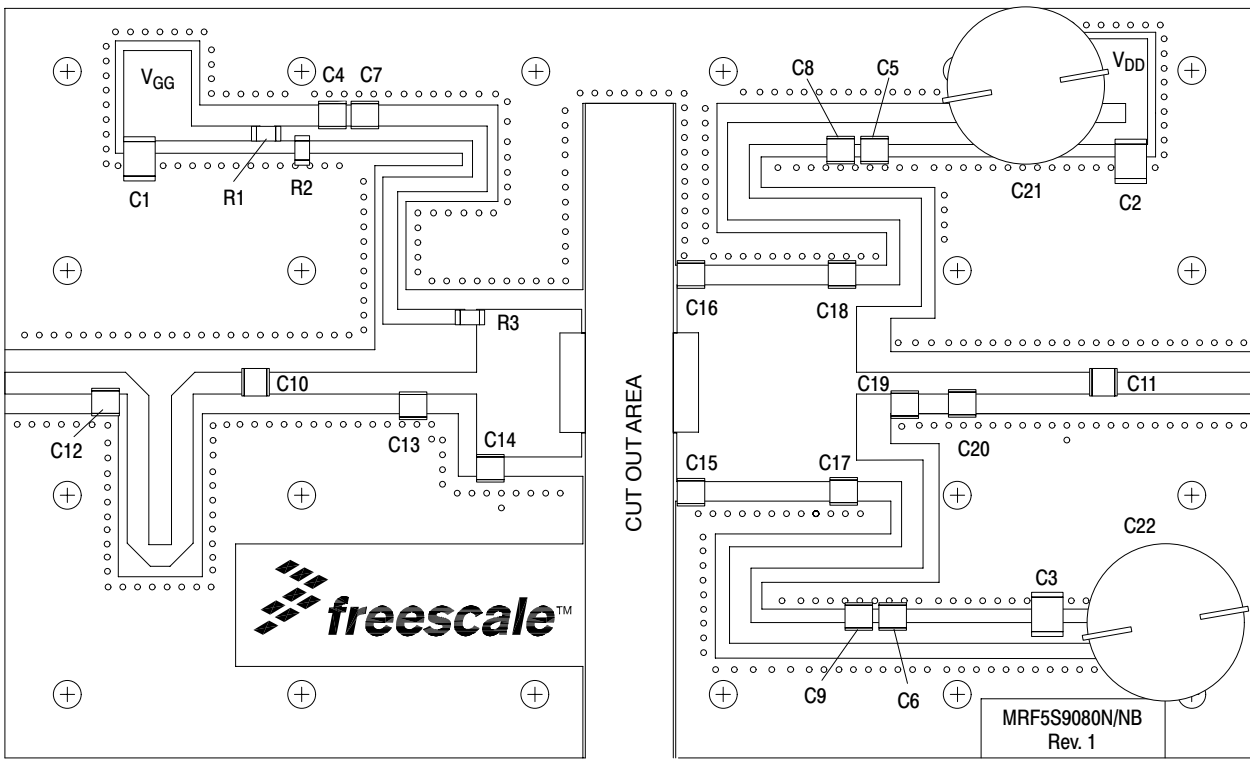


Figure 17. MRF5S9080NR1(NBR1) Test Circuit Component Layout — 800 MHz

TYPICAL CHARACTERISTICS - 800 MHz

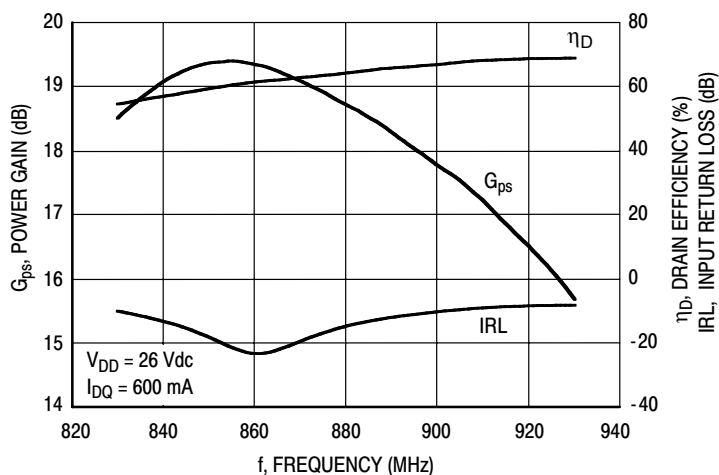


Figure 18. Power Gain, Input Return Loss and Drain Efficiency versus Frequency @ $P_{out} = 80$ Watts

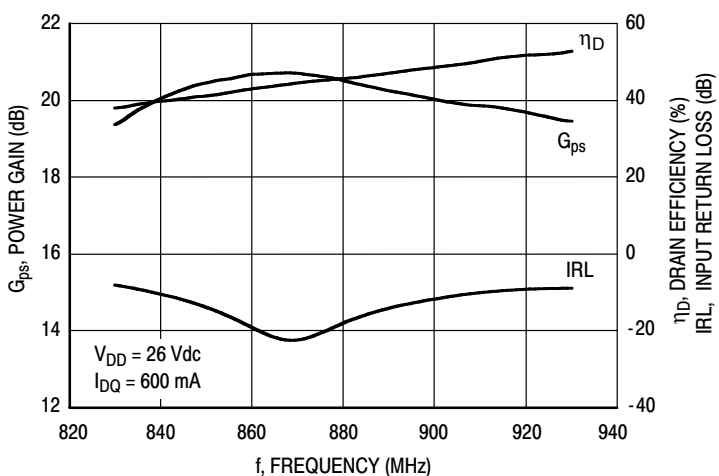


Figure 19. Power Gain, Input Return Loss and Drain Efficiency versus Frequency @ $P_{out} = 36$ Watts

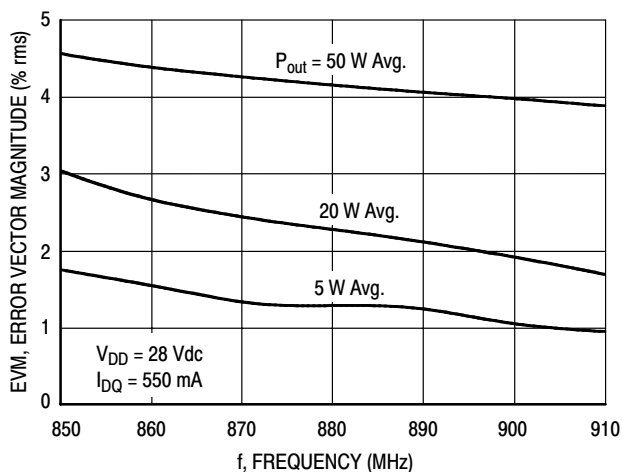


Figure 20. EVM versus Frequency

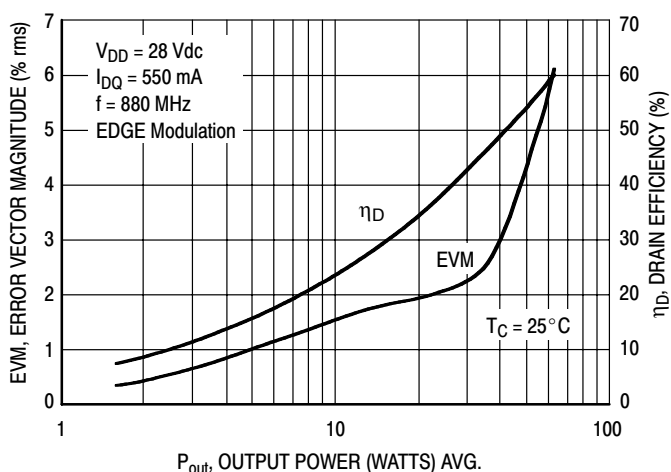


Figure 21. EVM and Drain Efficiency versus Output Power

TYPICAL CHARACTERISTICS - 800 MHz

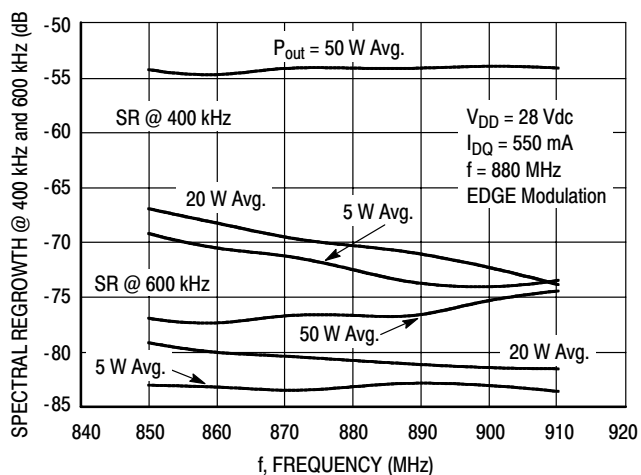


Figure 22. Spectral Regrowth at 400 kHz and 600 kHz versus Frequency

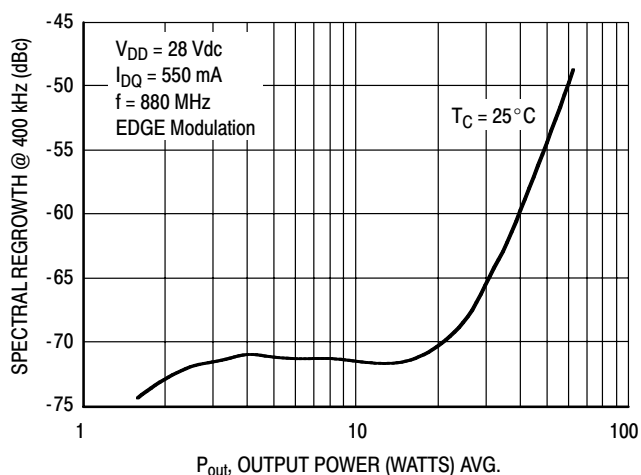


Figure 23. Spectral Regrowth @ 400 kHz versus Output Power

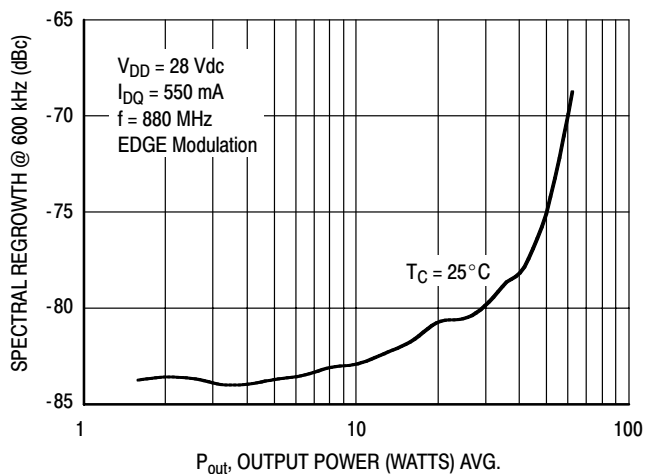


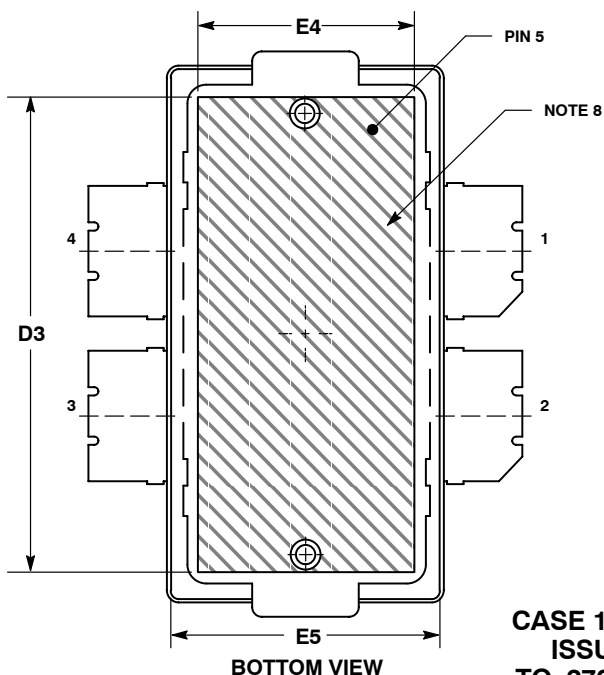
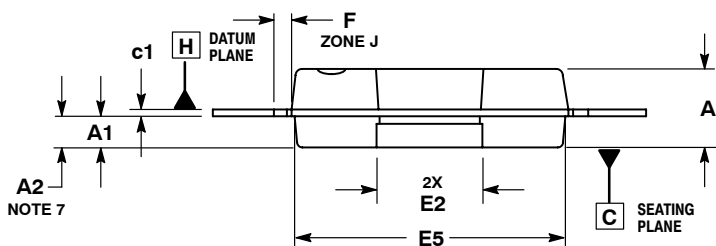
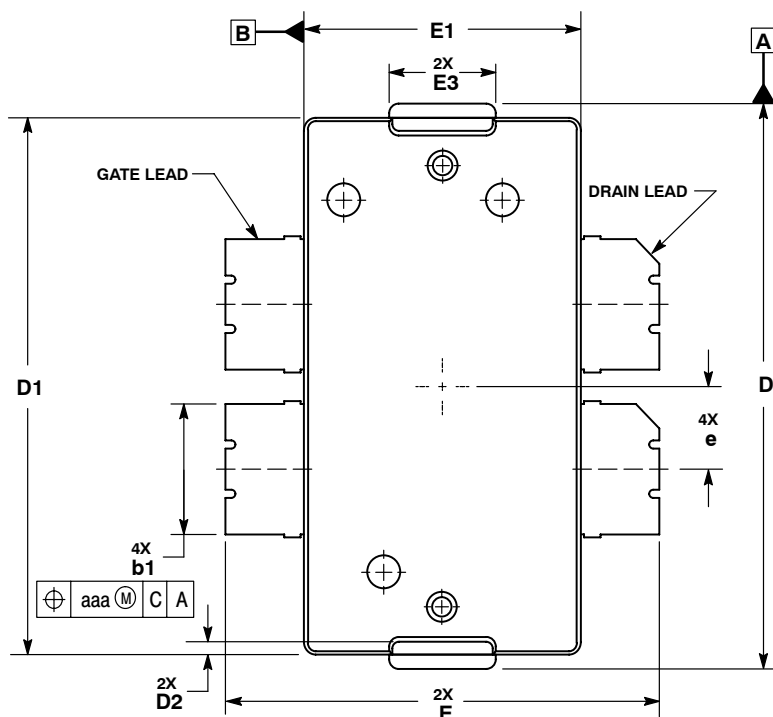
Figure 24. Spectral Regrowth @ 600 kHz versus Output Power

NOTES

NOTES

NOTES

PACKAGE DIMENSIONS



**CASE 1486-03
ISSUE C
TO-270 WB-4
PLASTIC
MRF5S9080NR1**

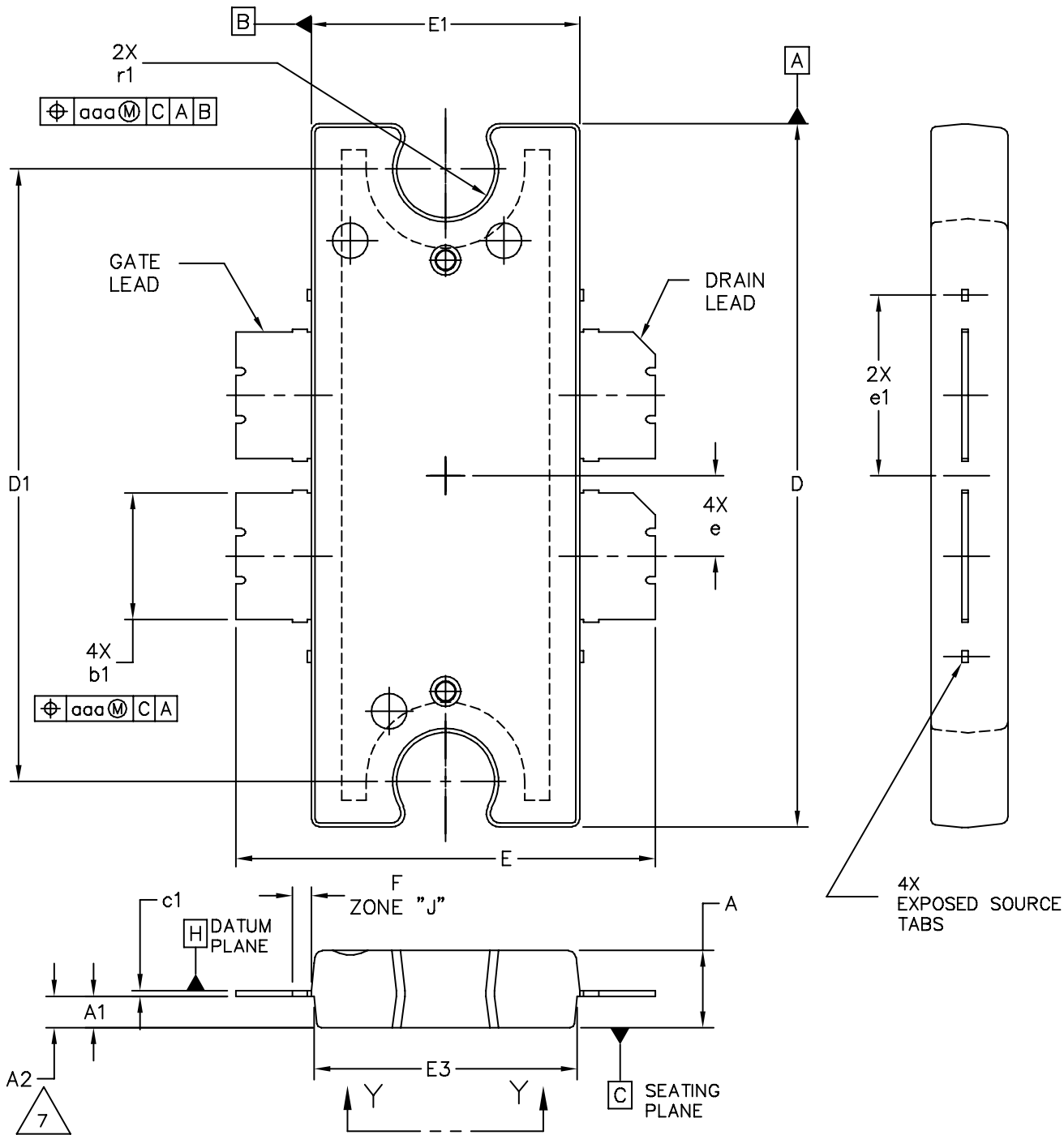
NOTES:

1. CONTROLLING DIMENSION: INCH.
2. INTERPRET DIMENSIONS AND TOLERANCES PER ASME Y14.5M-1994.
3. DATUM PLANE -H- IS LOCATED AT THE TOP OF LEAD AND IS COINCIDENT WITH THE LEAD WHERE THE LEAD EXITS THE PLASTIC BODY AT THE TOP OF THE PARTING LINE.
4. DIMENSIONS "D" AND "E1" DO NOT INCLUDE MOLD PROTRUSION. ALLOWABLE PROTRUSION IS .006 PER SIDE. DIMENSIONS "D" AND "E1" DO INCLUDE MOLD MISMATCH AND ARE DETERMINED AT DATUM PLANE -H-.
5. DIMENSION "b1" DOES NOT INCLUDE DAMBAR PROTRUSION. ALLOWABLE DAMBAR PROTRUSION SHALL BE .005 TOTAL IN EXCESS OF THE "b1" DIMENSION AT MAXIMUM MATERIAL CONDITION.
6. DATUMS -A- AND -B- TO BE DETERMINED AT DATUM PLANE -H-.
7. DIMENSION A2 APPLIES WITHIN ZONE "J" ONLY.
8. HATCHING REPRESENTS THE EXPOSED AREA OF THE HEAT SLUG.

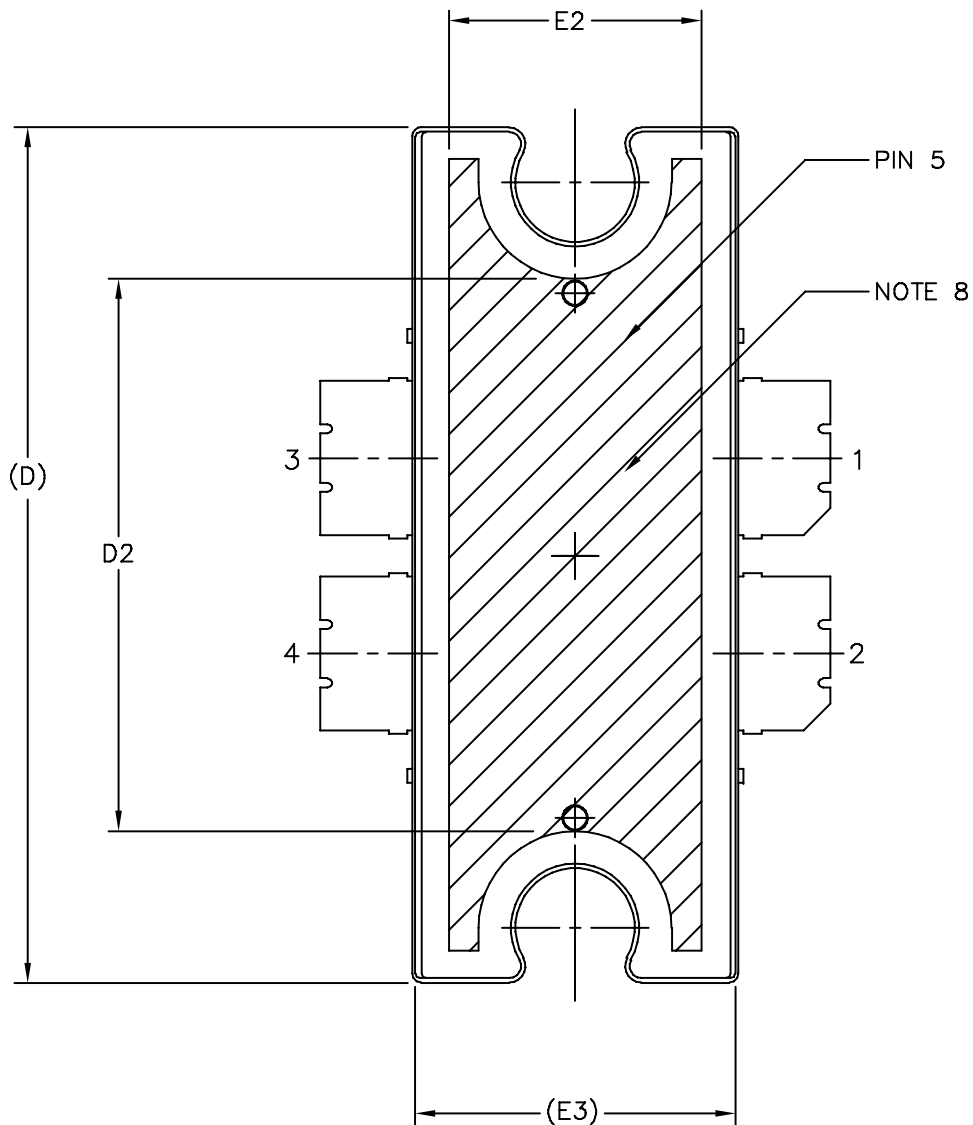
DIM	INCHES		MILLIMETERS	
	MIN	MAX	MIN	MAX
A	.100	.104	2.54	2.64
A1	.039	.043	0.99	1.09
A2	.040	.042	1.02	1.07
D	.712	.720	18.08	18.29
D1	.688	.692	17.48	17.58
D2	.011	.019	0.28	0.48
D3	.600	---	15.24	---
E	.551	.559	14	14.2
E1	.353	.357	8.97	9.07
E2	.132	.140	3.35	3.56
E3	.124	.132	3.15	3.35
E4	.270	---	6.86	---
E5	.346	.350	8.79	8.89
F	.025 BSC		0.64 BSC	
b1	.164	.170	4.17	4.32
c1	.007	.011	0.18	0.28
e	.106 BSC		2.69 BSC	
aaa	.004		0.10	

STYLE 1:

- PIN 1. DRAIN
2. DRAIN
3. GATE
4. GATE
5. SOURCE



© FREESCALE SEMICONDUCTOR, INC. ALL RIGHTS RESERVED.		MECHANICAL OUTLINE		PRINT VERSION NOT TO SCALE	
TITLE: TO-272 4 LEAD, WIDE BODY			DOCUMENT NO: 98ASA10575D		REV: D
			CASE NUMBER: 1484-04		05 APR 2006
			STANDARD: NON-JEDEC		



© FREESCALE SEMICONDUCTOR, INC. ALL RIGHTS RESERVED.	MECHANICAL OUTLINE	PRINT VERSION NOT TO SCALE	
TITLE: TO-272 4 LEAD, WIDE BODY	DOCUMENT NO: 98ASA10575D	REV: D	
	CASE NUMBER: 1484-04	05 APR 2006	
	STANDARD: NON-JEDEC		

NOTES:

1. CONTROLLING DIMENSION: INCH
2. INTERPRET DIMENSIONS AND TOLERANCES PER ASME Y14.5M-1994.
3. DATUM PLANE H IS LOCATED AT THE TOP OF LEAD AND IS COINCIDENT WITH THE LEAD WHERE THE LEAD EXITS THE PLASTIC BODY AT THE TOP OF THE PARTING LINE.
4. DIMENSIONS "D" AND "E1" DO NOT INCLUDE MOLD PROTRUSION. ALLOWABLE PROTRUSION IS .006 PER SIDE. DIMENSIONS "D" AND "E1" DO INCLUDE MOLD MISMATCH AND ARE DETERMINED AT DATUM PLANE H.
5. DIMENSIONS "b1" DOES NOT INCLUDE DAMBAR PROTRUSION. ALLOWABLE DAMBAR PROTRUSION SHALL BE .005 TOTAL IN EXCESS OF THE "b1" DIMENSION AT MAXIMUM MATERIAL CONDITION.
6. DATUM A AND B TO BE DETERMINED AT DATUM PLANE H.
7. DIMENSION A2 APPLIES WITHIN ZONE "J" ONLY.
8. HATCHING REPRESENTS EXPOSED AREA OF THE HEAT SLUG. HATCHED AREA SHOWN IS ON THE SAME PLANE.

STYLE 1:

PIN 1 - DRAIN PIN 2 - DRAIN
 PIN 3 - GATE PIN 4 - GATE
 PIN 5 - SOURCE

DIM	INCH		MILLIMETER		DIM	INCH		MILLIMETER	
	MIN	MAX	MIN	MAX		MIN	MAX	MIN	MAX
A	.100	.104	2.54	2.64	b1	.164	.170	4.17	4.32
A1	.039	.043	0.99	1.09	c1	.007	.011	.18	.28
A2	.040	.042	1.02	1.07	r1	.063	.068	1.60	1.73
D	.928	.932	23.57	23.67	e	.106 BSC		2.69 BSC	
D1	.810 BSC		20.57 BSC		e1	.239 INFO ONLY		6.07 INFO ONLY	
D2	.600	---	15.24	---	aaa	.004		.10	
E	.551	.559	14	14.2					
E1	.353	.357	8.97	9.07					
E2	.270	---	6.86	---					
E3	.346	.350	8.79	8.89					
F	.025 BSC		0.64 BSC						

© FREESCALE SEMICONDUCTOR, INC. ALL RIGHTS RESERVED.		MECHANICAL OUTLINE		PRINT VERSION NOT TO SCALE	
TITLE: TO-272 4 LEAD WIDE BODY			DOCUMENT NO: 98ASA10575D		REV: D
			CASE NUMBER: 1484-04		05 APR 2006
			STANDARD: NON-JEDEC		

How to Reach Us:

Home Page:

www.freescale.com

E-mail:

support@freescale.com

USA/Europe or Locations Not Listed:

Freescale Semiconductor
 Technical Information Center, CH370
 1300 N. Alma School Road
 Chandler, Arizona 85224
 +1-800-521-6274 or +1-480-768-2130
support@freescale.com

Europe, Middle East, and Africa:

Freescale Halbleiter Deutschland GmbH
 Technical Information Center
 Schatzbogen 7
 81829 Muenchen, Germany
 +44 1296 380 456 (English)
 +46 8 52200080 (English)
 +49 89 92103 559 (German)
 +33 1 69 35 48 48 (French)
support@freescale.com

Japan:

Freescale Semiconductor Japan Ltd.
 Headquarters
 ARCO Tower 15F
 1-8-1, Shimo-Meguro, Meguro-ku,
 Tokyo 153-0064
 Japan
 0120 191014 or +81 3 5437 9125
support.japan@freescale.com

Asia/Pacific:

Freescale Semiconductor Hong Kong Ltd.
 Technical Information Center
 2 Dai King Street
 Tai Po Industrial Estate
 Tai Po, N.T., Hong Kong
 +800 2666 8080
support.asia@freescale.com

For Literature Requests Only:

Freescale Semiconductor Literature Distribution Center
 P.O. Box 5405
 Denver, Colorado 80217
 1-800-441-2447 or 303-675-2140
 Fax: 303-675-2150
LDCForFreescaleSemiconductor@hibbertgroup.com

Information in this document is provided solely to enable system and software implementers to use Freescale Semiconductor products. There are no express or implied copyright licenses granted hereunder to design or fabricate any integrated circuits or integrated circuits based on the information in this document.

Freescale Semiconductor reserves the right to make changes without further notice to any products herein. Freescale Semiconductor makes no warranty, representation or guarantee regarding the suitability of its products for any particular purpose, nor does Freescale Semiconductor assume any liability arising out of the application or use of any product or circuit, and specifically disclaims any and all liability, including without limitation consequential or incidental damages. "Typical" parameters that may be provided in Freescale Semiconductor data sheets and/or specifications can and do vary in different applications and actual performance may vary over time. All operating parameters, including "Typicals", must be validated for each customer application by customer's technical experts. Freescale Semiconductor does not convey any license under its patent rights nor the rights of others. Freescale Semiconductor products are not designed, intended, or authorized for use as components in systems intended for surgical implant into the body, or other applications intended to support or sustain life, or for any other application in which the failure of the Freescale Semiconductor product could create a situation where personal injury or death may occur. Should Buyer purchase or use Freescale Semiconductor products for any such unintended or unauthorized application, Buyer shall indemnify and hold Freescale Semiconductor and its officers, employees, subsidiaries, affiliates, and distributors harmless against all claims, costs, damages, and expenses, and reasonable attorney fees arising out of, directly or indirectly, any claim of personal injury or death associated with such unintended or unauthorized use, even if such claim alleges that Freescale Semiconductor was negligent regarding the design or manufacture of the part.

Freescale™ and the Freescale logo are trademarks of Freescale Semiconductor, Inc. All other product or service names are the property of their respective owners.
 © Freescale Semiconductor, Inc. 2006. All rights reserved.

Mouser Electronics

Authorized Distributor

Click to View Pricing, Inventory, Delivery & Lifecycle Information:

[Freescale Semiconductor:](#)

[MRF5S9080NBR1](#)