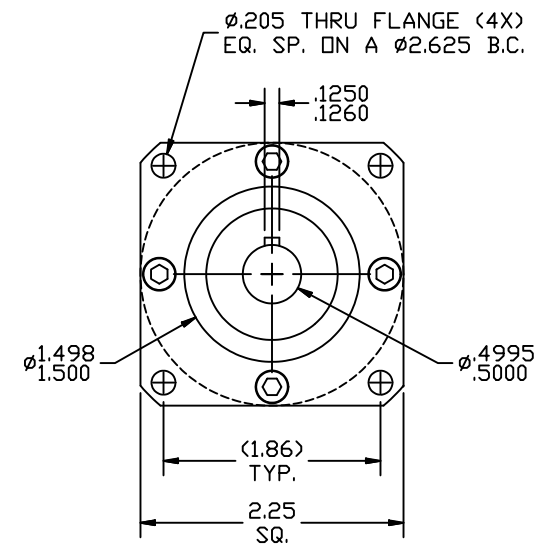
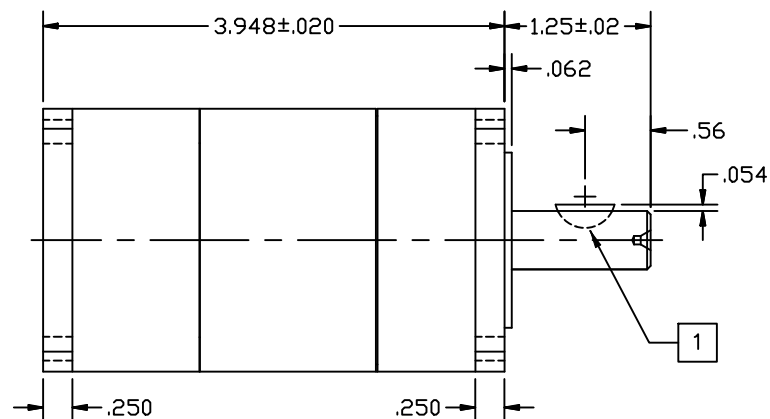
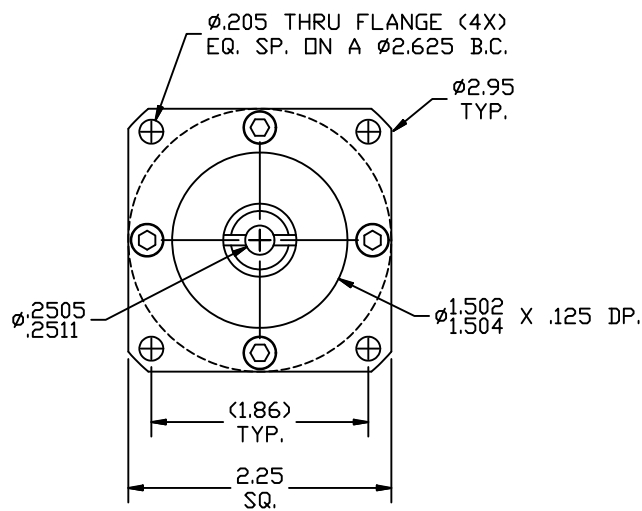


REVISIONS			
REV	DESCRIPTION	DATE	APPROVED
A	INITIAL RELEASE ECO 6709	2/22/13	J Kordik



NOTES: UNLESS OTHERWISE SPECIFIED

- 1 #404 WOODRUFF KEY.
2. 23PN100 RATIO- 100:1
3. FOR TECHNICAL DETAILS, CONTACT APPLIED MOTION PRODUCTS.

TOLERANCES	THIRD ANGLE PROJECTION		APPLIED MOTION PRODUCTS, INC.	
DECIMALS: [MM] INCH X.XXX = \pm .005 X.XX = \pm [0.13].010 X.X = \pm [0.25].020 ANGLES: MACH. = \pm .5° CHAM. = \pm 5°			OUTLINE, GEAR HEAD, PN23, 2 STAGE	
COMPUTER DATA BASE DRAWING	APPROVALS	DATE		
	DRAWN <i>R.JONEZ</i>	2/22/13	DWG NO.	23PN100
	CHECKED		SCALE: FULL	SHEET 1 OF 1
	APPROVED			

Mouser Electronics

Authorized Distributor

Click to View Pricing, Inventory, Delivery & Lifecycle Information:

[Applied Motion:](#)

[23PN100](#) [23PN100-LB](#)