

LEADED CERAMIC RESONATOR

HWZT-MD

RoHS/RoHS II Compliant
Pb in ceramic, exemption (7c-I)



FEATURES:

- Low resonant impedance
- Small size, Light weight.
- Low cost timing solution

APPLICATIONS:

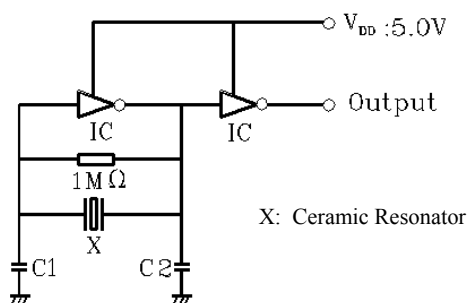
- Clock oscillation for microcontrollers
- Telephones
- Household electric appliances

STANDARD SPECIFICATIONS:

| Parameters | Minimum | Typical | Maximum | Units | Notes |
|--|--------------|---------|---------|-------|-----------------------|
| Frequency Range | 2.00 | | 6.00 | MHz | |
| | 12.51 | | 60.00 | | |
| Resonant Impedance (Ro) | | | 80 | Ω | 2.00 MHz ~ 2.99 MHz |
| | | | 30 | | 3.00 MHz ~ 6.00 MHz |
| | | | 30 | | 12.51 MHz ~ 60.00 MHz |
| Standard Load Capacitance for test circuit (C1=C2) | 24 | 30 | 36 | pF | 2.00 MHz ~ 6.00 MHz |
| | 24 | 30 | 36 | | 12.51 MHz ~ 20.00 MHz |
| | 12 | 15 | 18 | | 20.01 MHz ~ 25.99 MHz |
| | 4 | 5 | 6 | | 26.00 MHz ~ 60.00 MHz |
| Frequency Tolerance | -0.5 | | +0.5 | % | |
| Frequency Stability | -0.3 | | +0.3 | % | -25°C to +85°C |
| Withstanding Voltage | | | 50 | Vdc | DC , 1 min |
| Rating Voltage | D.C. Voltage | | 6 | Vdc | |
| | A.C. Voltage | | 15 | Vp-p. | |
| Insulation Resistance | 100 | | | MΩ | 10Vdc, 1min |
| Operation Temperature | -25 | | +85 | °C | |
| Storage Temperature | -55 | | +85 | °C | |
| Aging Rate (Fosc) | -0.3 | | 0.3 | % | From initial value |

TEST CONDITION AND TEST CIRCUIT:

OPTIONS & PART IDENTIFICATION:



X: Ceramic Resonator

Parts shall be measured under a condition (Temp.: 20±15°C, Humidity: 65±20% R.H.) unless the standard condition (Temp: 25±2°C, Humidity: 65±5% R.H.) is regulated to measure

HWZT - [] MD - []

Frequency

Frequency in MHz

Packaging

Blank: Bulk

A: AMMO package*

*AMMO package

lead length 13.5mm

LEADED CERAMIC RESONATOR

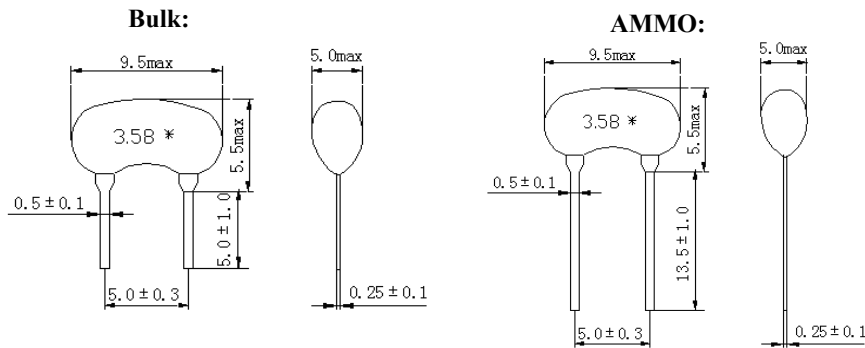
HWZT-MD

RoHS/RoHS II Compliant
Pb in ceramic, exemption (7c-I)

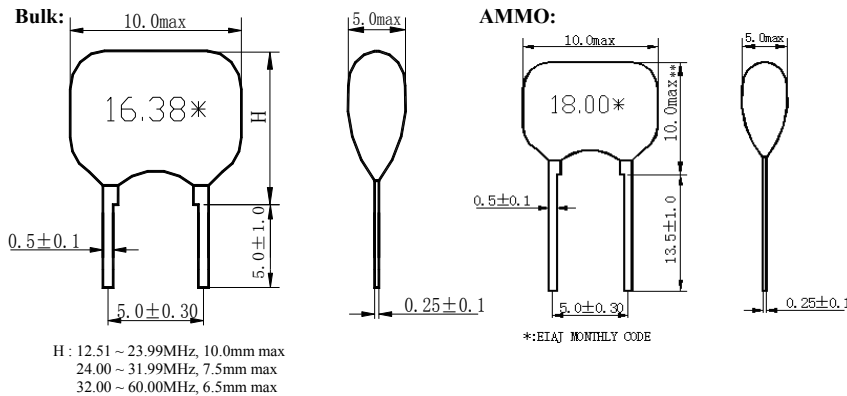


OUTLINE DRAWING:

Freq. Range: 2.00 ~ 6.00MHz (Low Profile)



Freq. Range: 12.51 ~ 60.00MHz



Packaging:

Bulk: 500pcs/plastic bag

AMMO: 2000pcs/box

Note: upon opening the original packaging, it is recommended that the product be used within 1 year. If the product will not be used within 1 year, it is recommended that the product be re-sealed in airtight packaging according to MSL 1 requirements to maintain solderability.

CAUTION

- (1) Do not apply excess mechanical stress to the component body or terminations. Do not attempt to re-form or bend the components as this will cause damage to the component.
- (2) This component is not hermetically sealed. Do not clean or wash the component.
- (3) Reflow Soldering: Do not use strong acidity flux, such as flux with chlorine content of greater than 0.2wt% during Reflow Soldering.
- (4) Do not expose the component to open flame.
- (5) This specification applies to the functionality of the component as a single unit.
- (6) Storage Conditions: If the product is to be stored for a period greater than 1 year after the Delivery Date, it is recommended that customers confirm the solderability and characteristics for the product prior to use.
- (7) This product is not recommended for use in the following applications: Automotive, Medical, Military, Safety, or any other high-reliability life dependant applications. Contact Abracon Corporation prior to using this product when in doubt.

ATTENTION: Abracon Corporation's products are COTS – Commercial-Off-The-Shelf products; suitable for Commercial, Industrial and, where designated, Automotive Applications. Abracon's products are not specifically designed for Military, Aviation, Aerospace, Life-dependant Medical applications or any application requiring high reliability where component failure could result in loss of life and/or property. For applications requiring high reliability and/or presenting an extreme operating environment, written consent and authorization from Abracon Corporation is required. Please contact Abracon Corporation for more information.

ABRACON IS
ISO9001:2008
CERTIFIED



Visit www.abracon.com for Terms & Conditions of Sale
30332 Esperanza, Rancho Santa Margarita, California 92688
tel 949-546-8000 | fax 949-546-8001 | www.abracon.com

Revised: 05.07.13

Mouser Electronics

Authorized Distributor

Click to View Pricing, Inventory, Delivery & Lifecycle Information:

ABRACON:

[HWZT-10.00MD](#) [HWZT-8.00MD](#) [HWZT-12.00MD](#) [HWZT-3.36MD](#) [HWZT-2.89MD](#) [HWZT-2.44MD](#)