

# SMD 3.2x1.5mm Tuning Fork



Model: FX135

RoHS Compliant / Pb Free

Rev. 3/20/2015

Page 1 of 2

[http://www.foxonline.com/need\\_a\\_sample.htm](http://www.foxonline.com/need_a_sample.htm)

Need a  
Sample®

## FEATURES

- Ultra Low Profile
- 0.9mm Height
- Long Term Stability
- Tape and Reel (3,000 pcs.STD)

## OPTIONS

- 9pF Available (FX135B-327)

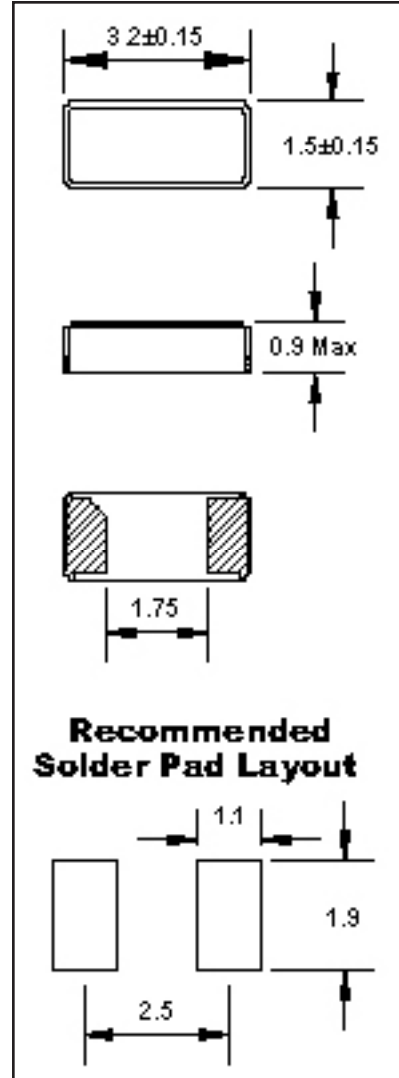
## • PART NUMBER

Part Number	Model Number	Frequency Stability	Operating Temperature	Frequency
739-Frequency-xxxxx	FX135	-0.045PPM/( $\Delta^{\circ}\text{C}$ ) <sup>2</sup>	-40 $^{\circ}\text{C}$ ~ +85 $^{\circ}\text{C}$	32.768 kHz

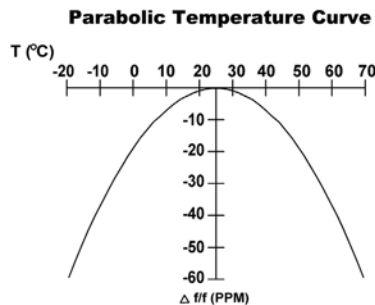
## • STANDARD SPECIFICATIONS

PARAMETERS	MAX (unless otherwise noted)
Frequency	32.768 kHz
Frequency Tolerance @ 25 $^{\circ}\text{C}$	$\pm 20$ PPM
Frequency Stability Temperature Coefficient	-0.045 PPM / ( $\Delta^{\circ}\text{C}$ ) <sup>2</sup>
Temperature Range	
Turnover (TO)	+20 $^{\circ}\text{C}$ ~ +30 $^{\circ}\text{C}$
Operating (TOPR)	-40 $^{\circ}\text{C}$ ~ +85 $^{\circ}\text{C}$
Storage (TSTG)	-55 $^{\circ}\text{C}$ ~ +125 $^{\circ}\text{C}$
Equivalent Series Resistance (RS)	70 k $\Omega$
Load Capacitance (CL)	12.5 pF(Standard) (Fox P/N: FX135A-327) 9pF (Optional) (Fox P/N: FX135B-327)
Insulation Resistance @ 100VDC	500M $\Omega$ Min
Drive Level	1.0 $\mu\text{W}$ 0.1 $\mu\text{W}$ Typ
Aging per year	$\pm 3$ PPM
Maximum Soldering Temp / Time	260 $^{\circ}\text{C}$ / 10 Seconds
Moisture Sensitivity Level (MSL)	1
Termination Finish	Au over Ni

All specifications subject to change without notice.



All dimensions are in millimeters.



To determine frequency stability, use parabolic curvature (K).  
For example: What is stability at 45 $^{\circ}\text{C}$ ?

- 1) Change in T ( $^{\circ}\text{C}$ ) = 45-25 = 20 $^{\circ}\text{C}$
- 2) Change in frequency =  $-0.04 \text{ PPM} * (\Delta \text{C})^2$   
 $= -0.04 \text{ PPM} * (20)^2$   
 $= -16.0 \text{ PPM}$

# SMD 3.2x1.5mm Tuning Fork



Model: FX135

RoHS Compliant / Pb Free

Rev. 3/20/2015

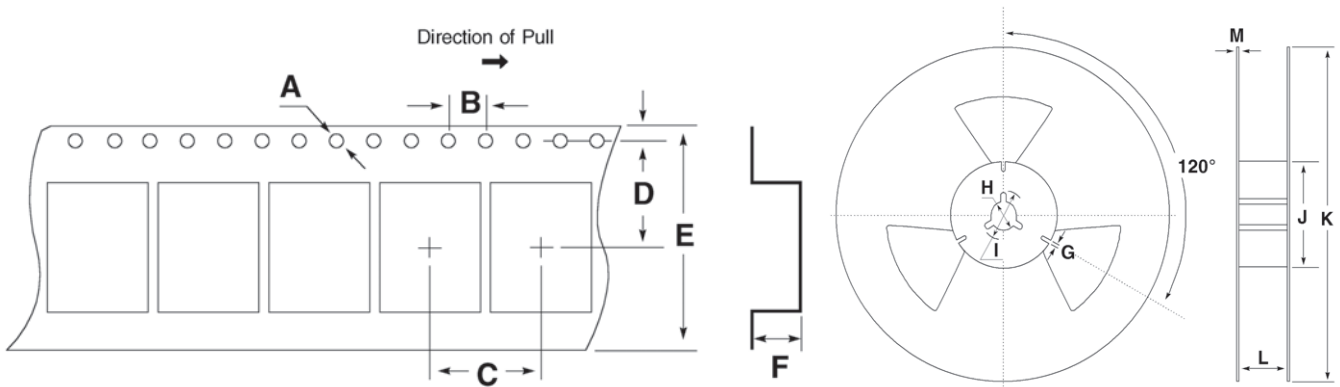
Page 2 of 2

[http://www.foxonline.com/need\\_a\\_sample.htm](http://www.foxonline.com/need_a_sample.htm)



• TAPE SPECIFICATIONS (millimeters)							
MODEL	A	B	C	D	E	F	STD Reel QTY
FX135	∅1.5	4.0	4.0	5.5	12.0	1.0	3,000

• REEL SPECIFICATIONS (millimeters)							
MODEL	G	H	I	J	K	L	M
FX135	2.0	∅13	∅21	∅60	∅180	13.0	1.2



# Mouser Electronics

Authorized Distributor

Click to View Pricing, Inventory, Delivery & Lifecycle Information:

[ABRACON:](#)

[FX135A-327](#) [FX135B-327](#)