

MOLDED PLASTIC SMD MICROPROCESSOR CRYSTAL

ABSM2



12.5 x 4.6 x 3.7mm

ABSM2

RoHS/RoHS II Compliant

Pb in high temperature solder (exempt per RoHS 2002/95/EC Annex (7))

Obsolete/End of Life Date: 12/31/2014 – Last Time Buy Date: March 31,2015

FEATURES:

- Suitable for RoHS compliant reflow
- Available tight tolerance and temperature stability

APPLICATIONS:

- Computers, Modems, Microprocessors
- Communication, Test equipment
- PCMCIA

STANDARD SPECIFICATIONS:

Parameters	Minimum	Typical	Maximum	Units	Notes
Available Frequencies	See Table 2 below			MHz	
Operation Mode	Fundamental: Standard			----	3.50 MHz - 30.000 MHz
	3rd Overtone: Standard			----	30.001 MHz - 70.000 MHz
	Fundamental: Option . See options below			----	30.001 MHz - 32.000 MHz
Operating Temperature	-10	----	+60	°C	See options
Storage Temperature	-55	----	+125	°C	
Frequency Tolerance @+25°C	-50	----	+50	ppm	See options
Frequency Stability over the Operating Temperature (ref. to +25°C)	-50	----	+50	ppm	See options
Equivalent series resistance (R1)	See table 1 below			Ω	
Shunt capacitance (C0)	----	----	7.0	pF	
Load capacitance (CL)	----	18.0	----	pF	Standard (See options if other than STD)
Drive Level	----	----	100	μW	
Aging	-5	----	+5	ppm	@25°C±3°C First year
Insulation Resistance	500	----	----	MΩ	@ 100Vdc ± 15V

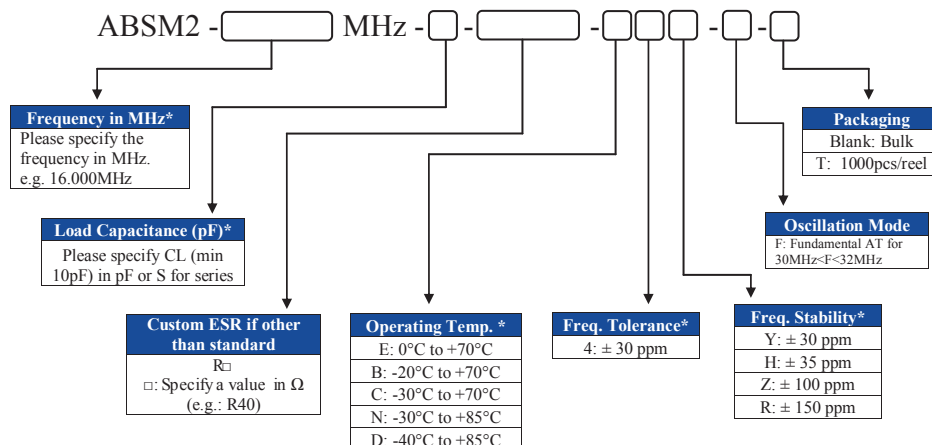
Table 1. Standard ESR

Frequency (MHz)	ESR (Ω) max.
3.50 - 3.999	200
4.000 - 5.999	150
6.000 - 11.999	100
12.000 - 32.000 (fund)	50
30.000 - 35.999 (3rd overtone)	100
33.000 - 70.000 (3rd overtone)	80

Table 2

Available Frequency List [MHz]						
3.579545	6.000000	10.240000	16.000000	20.000000	30.000000	48.000000
3.686400	6.144000	10.240000	16.000312	20.480000	32.000000	48.000000
3.932160	6.176000	11.000000	16.257000	22.118400	32.768000	49.152000
4.000000	6.400000	11.059200	16.384000	24.000000	33.000000	50.000000
4.032000	7.159090	11.289600	16.666000	24.000140	33.333000	53.125000
4.096000	7.372800	12.000000	16.667000	24.576000	33.333300	55.000000
4.194304	7.680000	12.288000	16.934400	24.704000	33.868800	60.000000
4.433619	8.000000	12.352000	16.934400	25.000000	34.000000	64.000000
4.800000	8.000156	12.500000	17.734475	25.175000	35.468950	66.000000
4.915200	8.192000	13.000000	18.000000	27.000000	36.000000	66.666600
5.000000	9.216000	13.500000	18.432000	28.000000	40.000000	
5.068800	9.600000	14.318180	18.869600	28.322000	40.960000	
5.120000	9.830000	14.745600	19.200000	28.636360	44.000000	
5.333333	9.830400	15.000000	19.440000	29.491200	45.000000	
5.529600	10.000000	15.360000	19.660800	29.500000	47.940000	

OPTIONS & PART IDENTIFICATION:



*Frequency, Load Capacitance, Frequency tolerance and stability is subject to availability. Please contact Abracon for each option for availability.

ABRACON IS
ISO9001:2008
CERTIFIED



Revised: 10.23.14
30332 Esperanza, Rancho Santa Margarita, California 92688
tel 949-546-8000 | fax 949-546-8001 | www.abracon.com

MOLDED PLASTIC SMD MICROPROCESSOR CRYSTAL

ABSM2



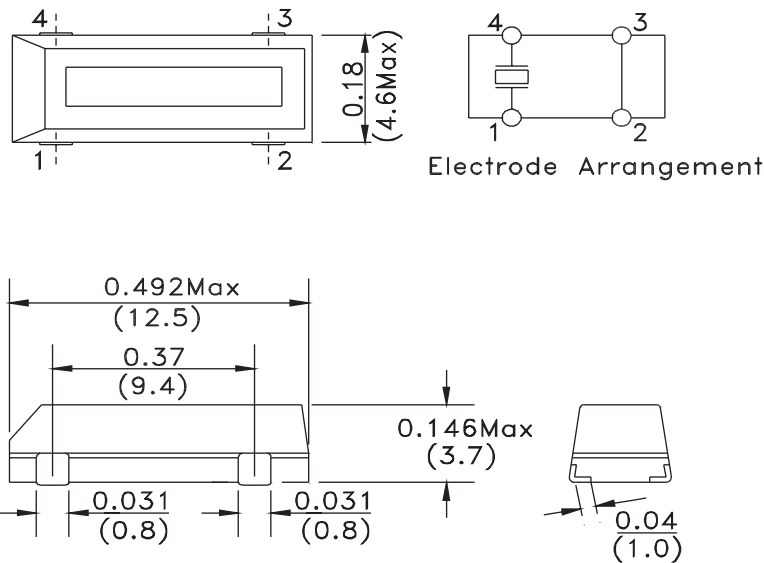
ABSM2

RoHS/RoHS II Compliant

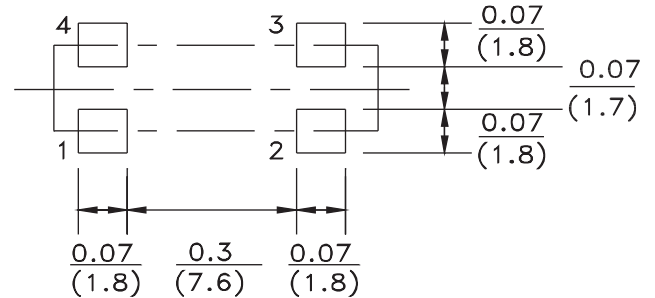
Pb in high temperature solder (exempt per RoHS 2002/95/EC Annex (7))

12.5 x 4.6 x 3.7mm

OUTLINE DRAWING:

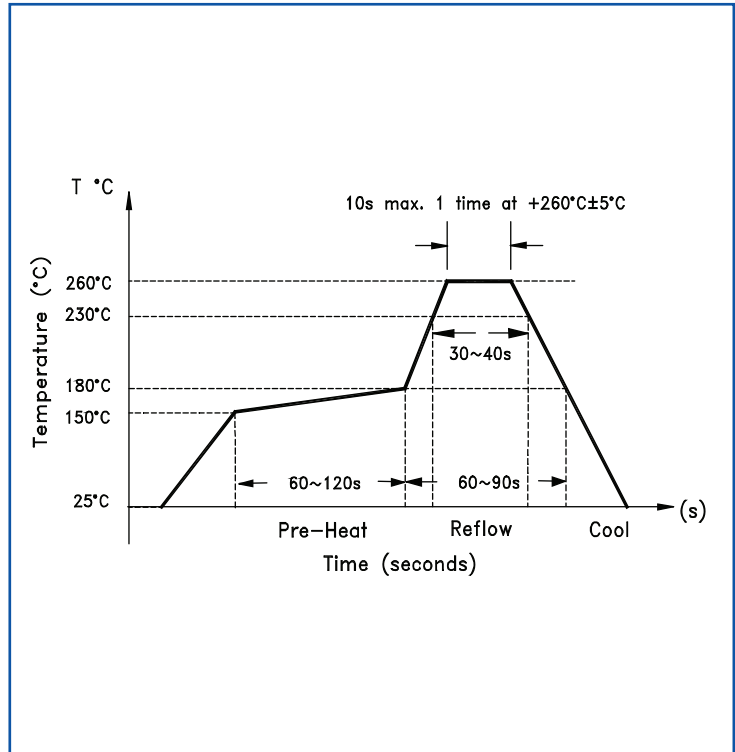
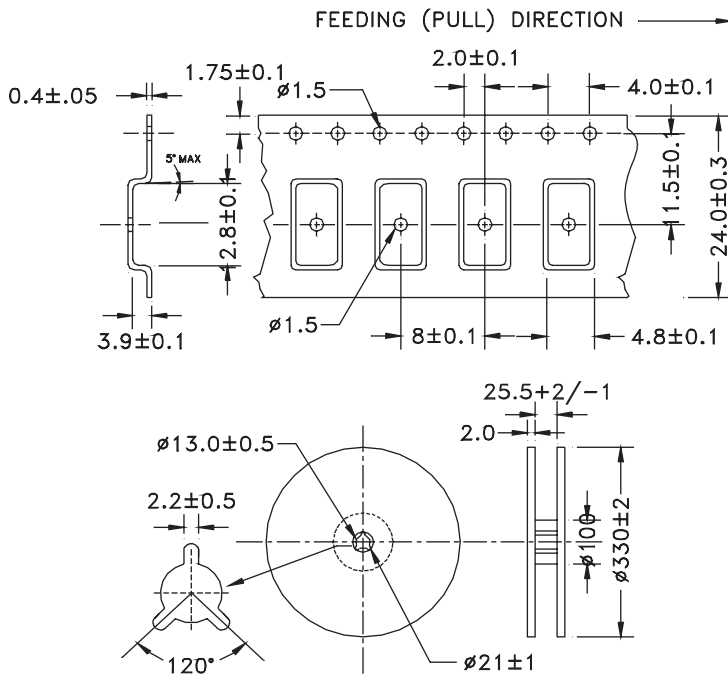


RECOMMENDED LAND PATTERN



TAPE & REEL: T=Tape and reel (1000pcs/reel)

REFLOW PROFILE:



ATTENTION: Abracon Corporation's products are COTS – Commercial-Off-The-Shelf products; suitable for Commercial, Industrial and, where designated, Automotive Applications. Abracon's products are not specifically designed for Military, Aviation, Aerospace, Life-dependant Medical applications or any application requiring high reliability where component failure could result in loss of life and/or property. For applications requiring high reliability and/or presenting an extreme operating environment, written consent and authorization from Abracon Corporation is required. Please contact Abracon Corporation for more information.

ABRACON IS
ISO9001:2008
CERTIFIED



Visit www.abracon.com for Terms & Conditions of Sale **Revised: 10.23.14**
30332 Esperanza, Rancho Santa Margarita, California 92688
tel 949-546-8000 | fax 949-546-8001 | www.abracon.com

Mouser Electronics

Authorized Distributor

Click to View Pricing, Inventory, Delivery & Lifecycle Information:

ABRACON:

[ABSM2-12.000MHZ-4-T](#) [ABSM2-24.000MHZ-4-T](#) [ABSM2-25.000MHZ-4-T](#) [ABSM2-20.000MHZ-4-T](#) [ABSM2-32.000MHZ-4-T](#) [ABSM2-16.000MHZ-4-T](#) [ABSM2-10.000MHZ-4-T](#) [ABSM2-27.000MHZ-4-T](#) [ABSM2-4.000MHZ-4-T](#) [ABSM2-5.000MHZ-4-T](#) [ABSM2-19.6608MHZ-4-T](#) [ABSM2-22.1184MHZ-4-T](#) [ABSM2-4.9152MHZ-4-T](#) [ABSM2-8.192MHZ-4-T](#) [ABSM2-7.3728MHZ-4-T](#) [ABSM2-49.152MHZ-4-T](#) [ABSM2-8.000MHZ-4-T](#) [ABSM2-24.576MHZ-4-T](#) [ABSM2-3.579545MHZ-4-T](#) [ABSM2-18.432MHZ-4-T](#) [ABSM2-14.31818MHZ-4-T](#) [ABSM2-14.7456MHZ-4-T](#) [ABSM2-12.288MHZ-4-T](#) [ABSM2-3.6864MHZ-4-T](#) [ABSM2-48.000MHZ-4-T](#) [ABSM2-11.0592MHZ-4-T](#) [ABSM2-4.800MHZ-T](#) [ABSM2-16.9344MHZ-4-T](#) [ABSM2-32.000MHZ-4F-T](#) [ABSM2-32.768MHZ-4F-T](#) [ABSM2-4.800MHZ-4-T](#) [ABSM2-40.000MHZ-4F-T](#) [ABSM2-40.000MHZ-4-T](#) [ABSM2-48.000MHZ-4F-T](#) [ABSM2-50.000MHZ-4F-T](#) [ABSM2-6.000MHZ-4-T](#) [ABSM2-60.000MHZ-4F-T](#) [ABSM2-64.000MHZ-4F-T](#) [ABSM2-32.768MHZ-4-T](#) [ABSM2-50.000MHZ-4-T](#) [ABSM2-60.000MHZ-4-T](#) [ABSM2-64.000MHZ-4-T](#)